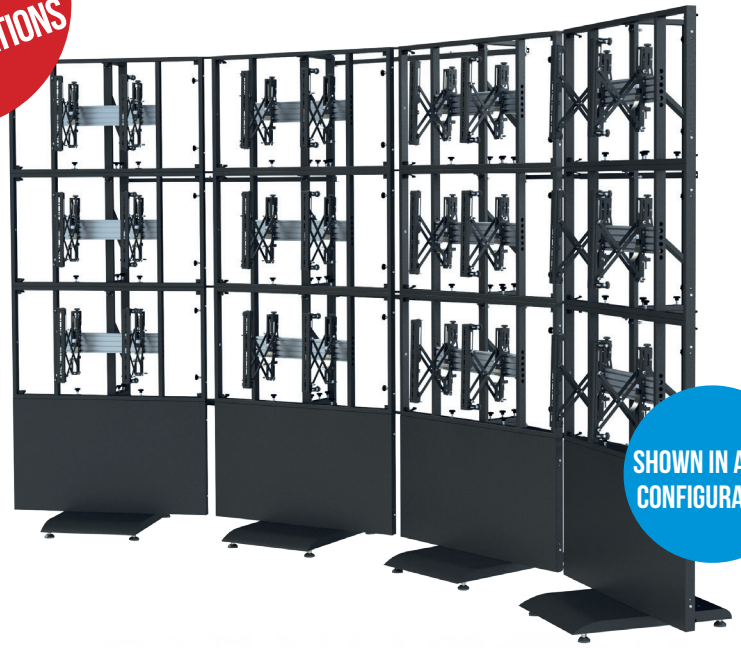




AVAILABLE
 IN MULTIPLE
 CONFIGURATIONS

BT8353

POP-OUT, MODULAR FREESTANDING CURVED VIDEOWALL MOUNT



SHOWN IN A 4X3
 CONFIGURATION

The BT8353 is a modular, curved freestanding videowall mounting system with pop-out interface arms for easy screen maintenance. Available for use in both landscape and portrait configurations, the BT8353 can be used for installations up to 7 rows high and as many columns wide as desired. The modular design features adjustable compass brackets which allow the angle of each column to be adjusted by up to 30°, meaning a full 180° curve can be achieved with just 7 columns. Fast-fit connectors make assembly and disassembly of videowalls extremely quick and easy whilst the 8-point tool-less micro-adjustment allows screens to be perfectly aligned with ease.

SPECIFICATION	
For screen sizes	46", 49" and 55"
Max load	50kg per screen
VESA® compatibility	200 x 200 up to 600 x 400
Curve adjustment	up to 30° per column
Depth	determined by configuration and angle of curve
Colour	Black

FEATURES

- Modular design allows quick and easy assembly and disassembly of curved videowalls - perfect for rental applications
- Order to your exact requirements, anything from 2x2 to 70x7
- Can be ordered for landscape or portrait screen mounting*
- Features pop-in, pop-out function to aid installation and to allow access to the rear of screens for servicing and maintenance
- Tool-less micro-adjustments at 8 points for seamless display alignment
- Captive, fast-fit nuts and screws make assembly & disassembly quick & easy
- Durable Epoxy powder coated frame is ideal for repeated assembly
- Floor spacers with cosmetic covers are available for smart installation
- Safety screws help prevent unauthorised removal of screens
- Base sections can face backwards if desired
- Wall tie-back accessories (**BT8350-EB** and **BT8380-WTB**) also available
- Flat, non pop-out and flat pop-out versions also available (see **BT8351** and **BT8352**)



*Landscape / portrait must be specified when ordering, a landscape kit can be used in portrait orientation with a few additional parts



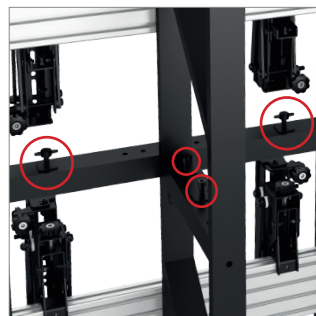
PER SCREEN MICRO ADJUSTMENT



Tool-less micro-adjustment at 8 points for seamless screen alignment



Floor spacers with cosmetic covers are available for smart installation



Captive fast-fit nuts and screws make assembly and disassembly quick and easy



Modular design allows quick and easy assembly

