

BT8373

UNIVERSAL CURVED VIDEOWALL STAND

Designed to create curved videowalls, the BT8373 is a freestanding mounting solution with a universal design suitable for all videowall screens from 39" to 75". As part of B-Tech's dynamic System X range, this contemporary mounting solution is lightweight yet incredibly strong, has a high-end aesthetic quality and comes with important time saving features such as integrated angle guides, tool-less micro-adjustment and a universal screen position spacer to speed up the installation process.

SPECIFICATIONS

Recommended screen size	39" - 75"
Max load	50kg per screen
Angle adjustment range	+/- 45°
VESA® & non-VESA fixings	up to 900mm*
Colour (base & interface arms)	Black
Colour (columns)	Black or Silver



FEATURES

- 1 Angle up to +/-45° to create a concave or convex curved videowall
 - 2 Tool-less micro-adjustment for seamless screen alignment
 - 3 Option for BT8390-VESA400MAP pop-out arms when ordering
 - 4 Integrated cable management
- Configurable mounting solution available to order to your requirements
 - Suitable for all videowall screens
 - Easy to use angle adjustment - set before or after installation
 - Integrated angle guides eliminate the need to measure required angles
 - Integrated rail mounting guides ensure the join position is consistent throughout the installation without the need to measure
 - Freestanding base allows columns to be individually assembled and positioned, for an easy installation
 - Supplied with adjustable levelling feet to accommodate uneven floor surfaces
 - Safety screws help prevent unauthorised removal of screens
 - Simple installation with all mounting hardware included
 - TÜV Certified



RECOMMENDED MAX SCREEN 75" 190cm	MAX LOAD 50kg	MAX VESA 900	MICRO ADJUSTMENT 	CONFIGURE AS REQUIRED 	COLOUR OPTIONS 	TÜV CERTIFIED 	
---	-------------------------	------------------------	----------------------	---------------------------	--------------------	-------------------	--

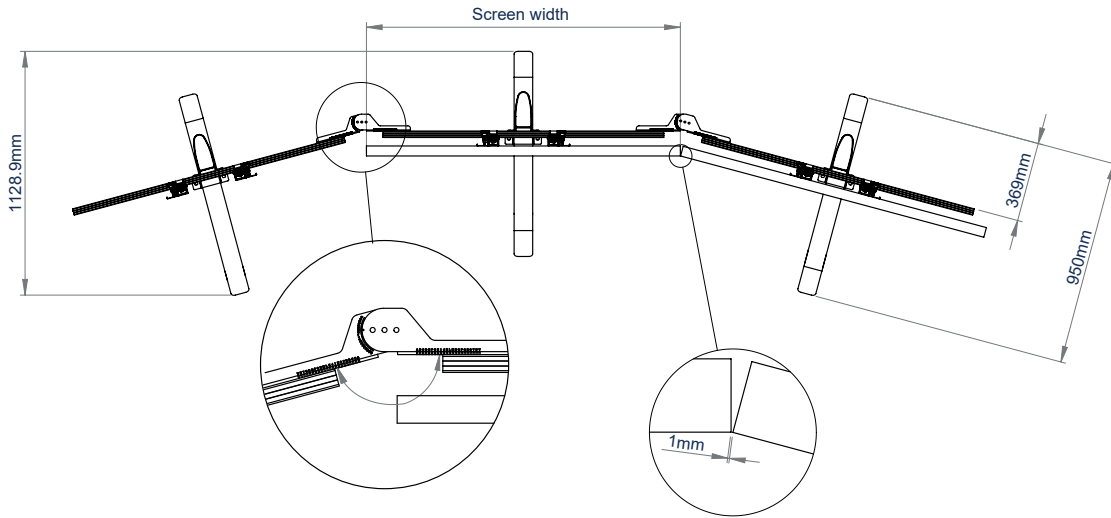
SYSTEM



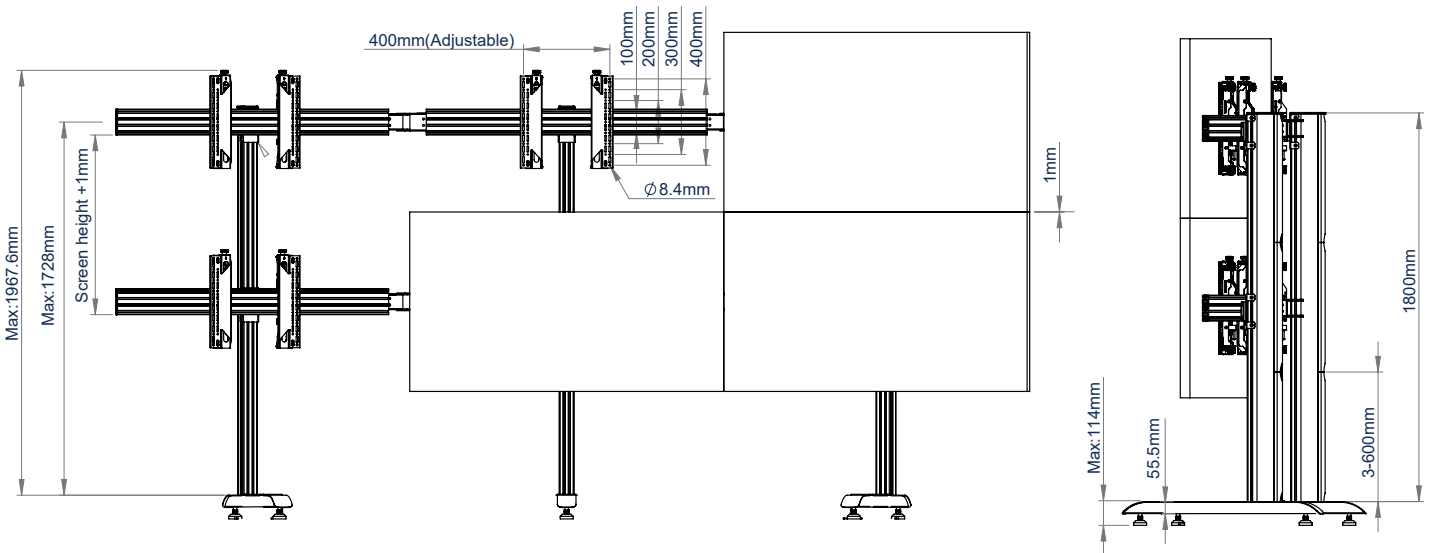
*Refers to maximum vertical fixing dimension for a typical configuration. Correctly sized interface arms and adaptors will be supplied as necessary to suit the mounting pattern you require.

BT8373

DIMENSIONS SHOW A TYPICAL 3X2 CONFIGURATION



TOP VIEW



FRONT VIEW

SIDE VIEW

ORDERING INFORMATION

COLOUR	ORDER REF	EAN
Black w/Black Columns	BT8373/BB	5019318301445
Black w/Silver Columns	BT8373/BS	5019318301452

RELATED PRODUCTS

PRODUCT CODE	NAME	DESCRIPTION
BT8370	Universal Videowall Stand	For videowalls
BT8376	Universal Freestanding Curved Videowall Stand	For all videowall screens
BT8374	Universal Mobile Curved Videowall Stand	Available to order to your requirements
BT7032/BT7033	AV Accessory Shelves	Can be attached directly to a vertical column

© 2018 B Tech AV Mounts Co. Ltd. All rights reserved.
 The information this specification sheet reflects the current technical specifications at the time of printing.
 We reserve the right to change the technical or physical specifications without prior notice. This is not intended to be a contract.
 B Tech AV Mounts Co. Ltd. is not responsible for any damage caused by improper installation or mounting on unstable structures. Any reproduction or use without our permission is strictly prohibited. Our website provides the most up-to-date information. Please contact us for more information.
 SS-BT8373-110924