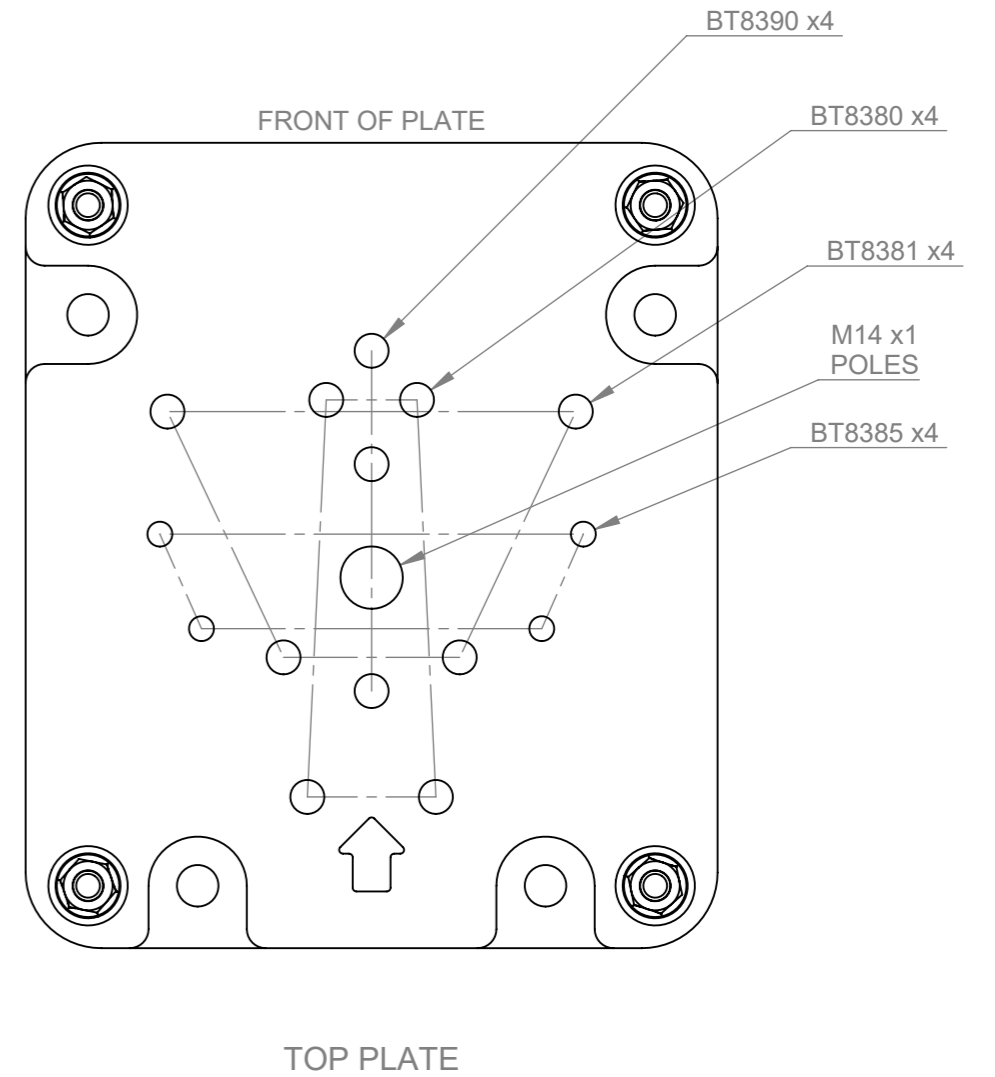
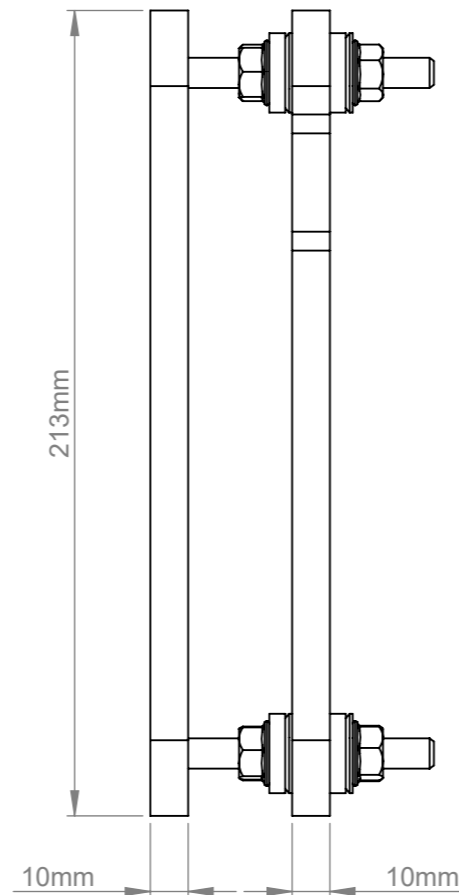
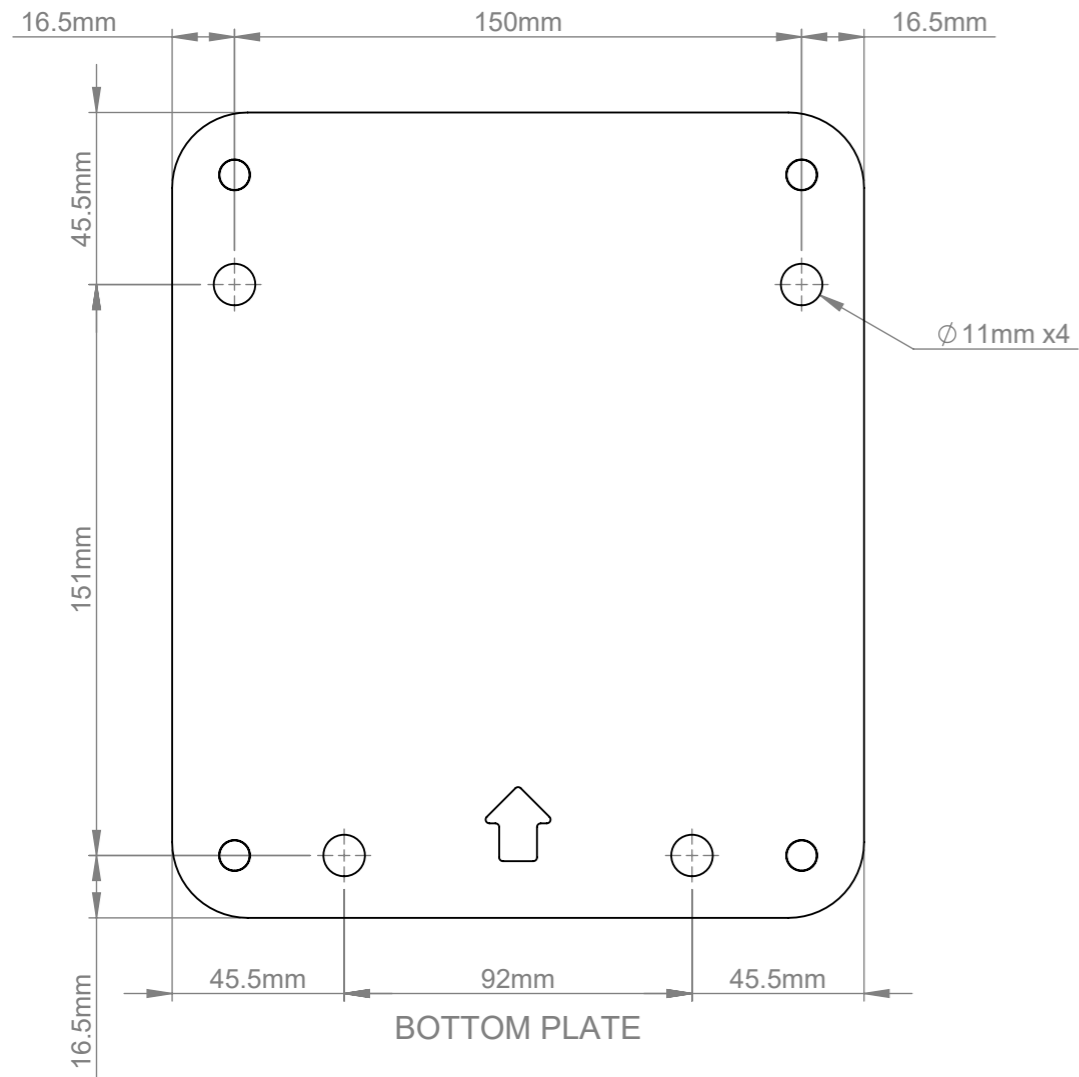
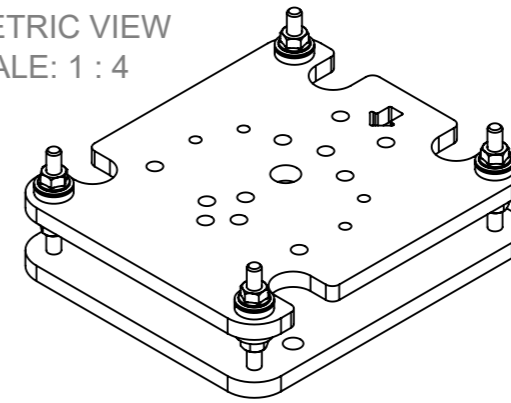


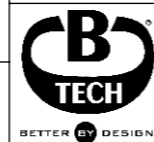
ISOMETRIC VIEW
SCALE: 1 : 4



B-Tech International Design & Manufacturing Limited
Part of the B-Tech International Group

B-Tech No: BT8380-AFB

Title: Adjustable Fixed Floor Base



UNLESS OTHERWISE SPECIFIED DIMENSIONS ARE IN MILLIMETERS

Size: A3

Scale: 1:2

Sheet: 1 of 1

Revision: R00

Date: 22/10/2021

File Name: BTD-BT8380-AFB