

# BT8380-BASE

## SYSTEM X™ FLOOR BASE FOR CARTS AND STANDS

As part of the System X range the BT8380-BASE attaches directly to BT8380 Vertical Support Columns to create a secure foundation for freestanding or mobile screen mounting. The sturdy metal base is supplied with adjustable levelling feet for post-installation levelling, these feet can be removed and replaced with BT8380-CASTORS (4" Locking/Braked Castors) to create mobile mounting solutions. Bases are supplied as individual units, one base must be used per column.

### SPECIFICATIONS

Length	<b>37.4"</b>
Width	<b>3.4"</b>
Height (with levelling feet)	<b>3.8" - 4.5"</b>
Color	<b>Black</b>

### FEATURES

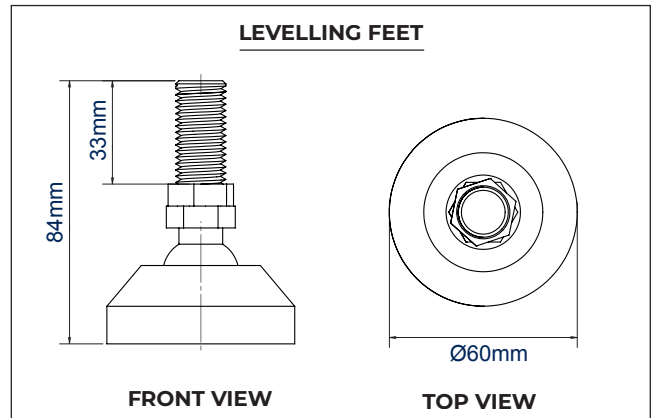
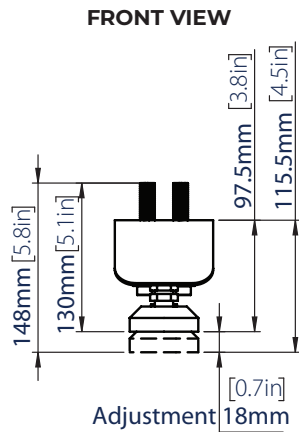
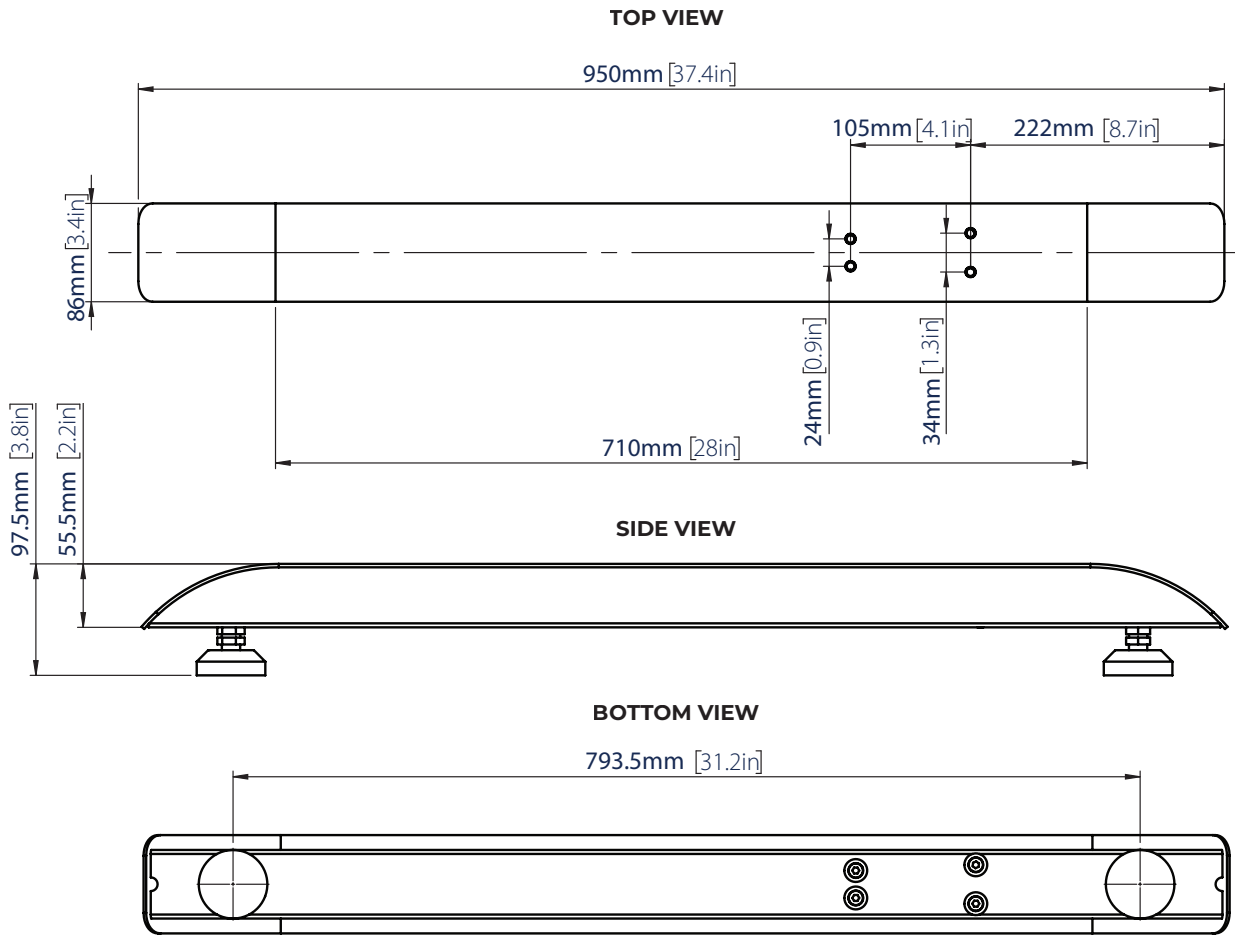
- 1 Attaches to BT8380 vertical columns to create a wide variety of System X stands
  - 2 Each base is supplied with 2 levelling feet to allow for post installation levelling
  - 3 Can be used with BT8380-CASTORS 4" locking / braked castors to create mobile mounting solutions
  - 4 Freestanding installs can be securely bolted to the floor for added security using BT8380-FBPK floor base fixing kit
- Creates a secure foundation for System X vertical support columns
  - Supplied as individual units, one base must be used per column
  - High-end aesthetic quality
  - All mounting hardware included
  - TUV certified



SYSTEM X



# BT8380-BASE



## ORDERING INFORMATION

COLOR	ORDER REF	BARCODE
Black	BT8380-BASE/B	5019318501050

## RELATED PRODUCTS

PRODUCT CODE	NAME	DESCRIPTION
BT8380-CASTORS	4" Non-marking Braked Castors	Attach easily to BT8380-BASE
BT8380-060/180	Vertical Columns	Used to support horizontal rails creating System X stands
BT8380-FFB	Fixed Floor Base	provides a bolt down solution that can be used as an alternative to BT8380-BASE
BT8370	System X Universal Videowall Stand	Configurable freestanding mounting solution suitable for screens up to 75"

© 2025 B-Tech AV Mounts Co., Ltd. All rights reserved.  
 The information in this specification sheet reflects the current technical specifications at the time of printing.  
 We reserve the right to change the technical or physical specifications without prior notice. The B-Tech name and the B-Tech logo are registered trademarks of B-Tech AV Mounts Co., Ltd.  
 B-Tech is not responsible for any loss or damage caused by improper installation or mounting on unsuitable structures. Any reproduction or use of information or specification of any part of this  
 specification sheet is strictly prohibited unless prior written permission is obtained from B-Tech AV Mounts Co., Ltd.

SS-V2-BT8380-BASE-060825