

BT8380-FFT

FALSE FLOOR TRIM FOR USE WITH BT8380 COLUMNS

BT8380-FFT False Floor Trims are designed to improve the look of installations into false floors. Trims can be retro-fitted on to existing columns using the split design and are ideal for making cosmetic improvements to an installation by covering any cut-outs made to the false floor.

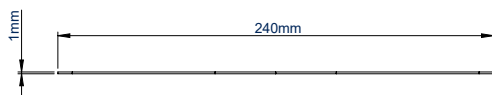
SPECIFICATIONS

Material	Steel (1mm)
Compatible column	BT8380-060 & BT8380-180
Colour	Black

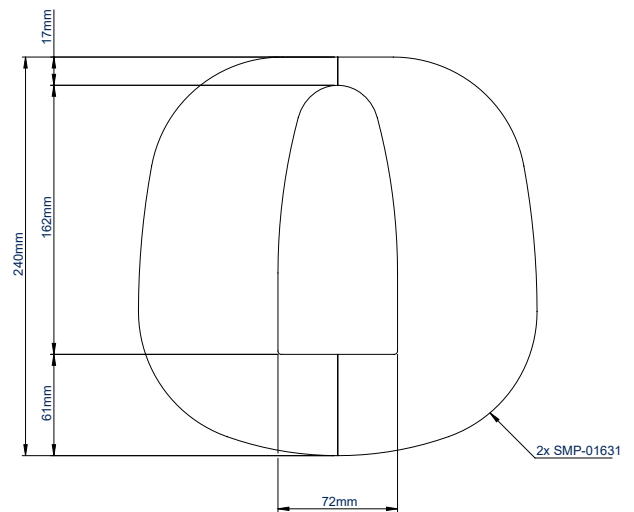
FEATURES

- Designed to improve the look of a false floor mounted installation*
- Can be retro-fitted onto columns, using split design for easier installation
- Ideal for when a column passes through a raised floor
- Supplied with double sided adhesive tape to fix covers in position

TECHNICAL DRAWINGS



SIDE VIEW



FRONT VIEW



ORDERING INFORMATION

COLOUR	ORDER REF	EAN
Black	BT8380-FFT/B	5019318305252

RELATED PRODUCTS

PRODUCT CODE	NAME	DESCRIPTION
BT8380	Vertical Column	The backbone of most System X trolley or floor stand installations
BT8380-FFB	Bolt Down Floor Base	Designed to securely fix System X installations to the floor
BT9372	Bolt Down Universal dvLED Videowall Stand	Bolt down solution designed to assemble dvLED panel videowalls
BT8372	Universal Bolt Down Videowall Stand	Designed for screens up to 75"

*Column must also be fixed to the floor