

BT8380-FSB

FREESTANDING FLOOR BASE

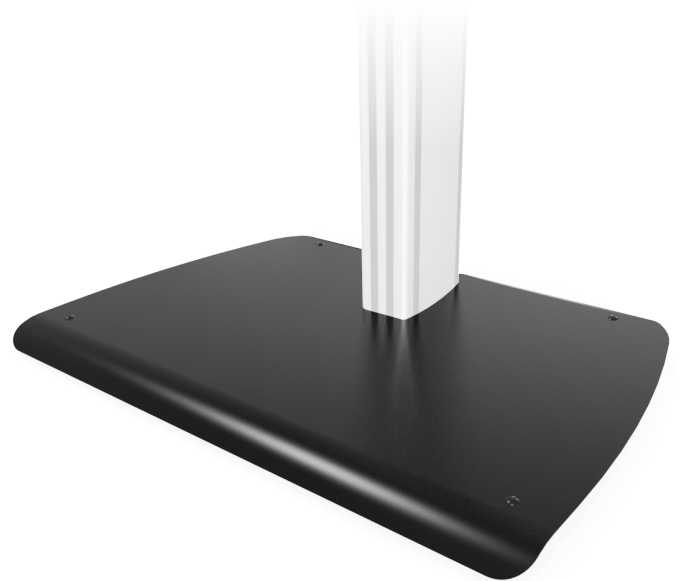
Designed to create freestanding, flat screen floor stands, the BT8380-FSB is a robust steel base that works in conjunction with BT8380 System X columns to create stylish display mounting solutions with a high-end aesthetic. Ideal for video conferencing, the heavy duty construction allows for single or multi-screen set-ups without the need to permanently fix to the floor. Designed with versatility in mind. Adjustable levelling feet are included to accommodate uneven floor surfaces and integrated cable management ensures installations have a neat and tidy finish.

SPECIFICATIONS

Max Load	154lbs*
Compatible with	BT8380
Dimensions	W: 35" H: 1.6" D: 23.8"
Color	Black

FEATURES

- 1** Heavy duty steel provides stability, removing the need to bolt to the floor
 - 2** Versatile solution suitable for a range of different freestanding set-ups
 - 3** Supplied with adjustable levelling feet for uneven floor surfaces
 - 4** Ideal for creating freestanding video conferencing installations
- High-end aesthetic with premium quality finish
 - Can also be bolted to the floor to help prevent relocation
 - Integrated cable management for a neat and tidy installation
 - All mounting hardware supplied
 - TUV certified



SYSTEM X

MAX LOAD

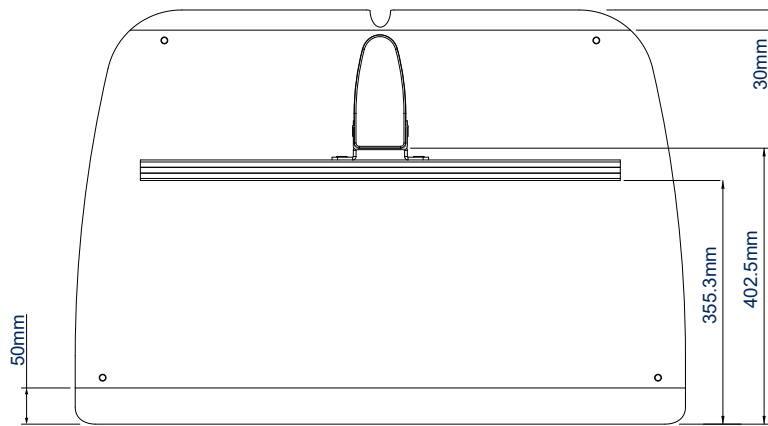
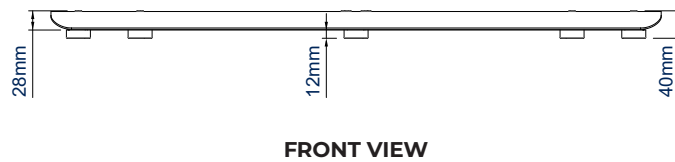
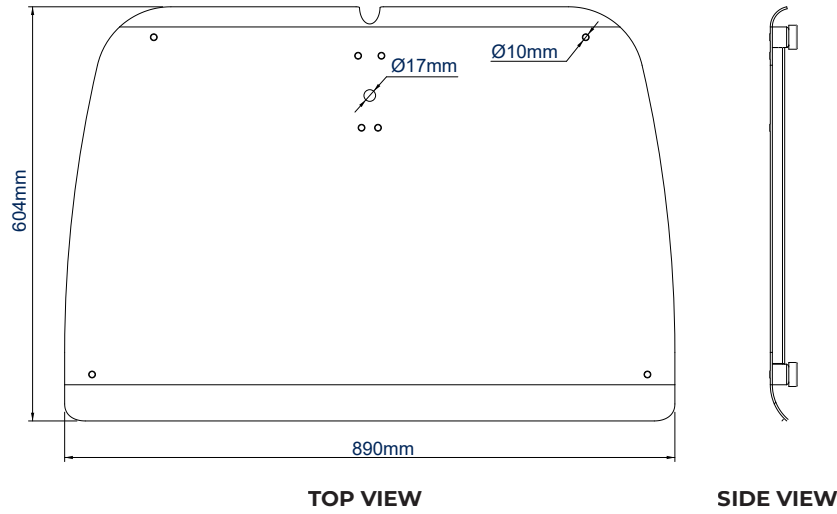
154lbs

TUV CERTIFIED



*Please note the max weight and screen size are dependent on the type of install. The maximum weight when used with a BT8380 column at a height of 1.8m is 154lbs. Please refer to the assembly manual for full details.

BT8380-FSB



TOP VIEW
WITH BT8380, BT8380-JPK & BT8390-050

ORDERING INFORMATION

COLOR	ORDER REF	BARCODE
Black	BT8380-FSB/B	5019318501708

RELATED PRODUCTS

PRODUCT CODE	NAME	DESCRIPTION
BT8380	Vertical Column	The backbone of most System X cart or floor stand installations
BT8380-FFB	Fixed Floor Base	Bolt-Down base to fix vertical columns to the floor
BT8390	Mounting Rails	Available in multiple lengths rails can be fixed to a range of System X components
BT8390-VESA400F	VESA 400 Interface Arms	Designed to mount medium - large sized screens in a fixed position

© 2018 B-Tech AV Mounts Co. Ltd. All rights reserved.
The information this specification sheet reflects is current technical specifications at the time of printing.
We reserve the right to change the technical or physical specifications without prior notice. The B-Tech name and the B-Tech logo are registered trademarks of B-Tech AV Mounts Co. Ltd.
B-Tech is not responsible for any loss or damage caused by improper installation or mounting on unstable structures. Any reproduction or reuse of this specification sheet is strictly prohibited unless prior written permission is granted by B-Tech AV Mounts Co. Ltd. 2018.

SS-V2-BT8380-FSB-060825