

BT8380-JPT

TILTING JOINING PLATE KIT

BT8380-JPT is a joining plate that connects System X BT8390 mounting rails to BT8380 vertical columns. The adjustable tilt enables rails to be tilted up to 30°, ensuring that the row of screens aligns precisely with the screens below. Joining plates with tilt are ideal for applications such as broadcasting and security control rooms where the top row of screens needs to be tilted and aligned to the screens below. The Plates can be positioned at any height on the column or along the rail to suit the application. Angle and distance guides feature on the plate to assist in a quick and straightforward installation.



SPECIFICATIONS

Max load (per bracket)	50kg (110lbs)
Max load (when used as a pair)	100kg (220lbs)
Tilt	+30°
Brackets supplied (per pack)	1

FEATURES

- 1 Use without adaptor for a downward tilt of 0° - 20°
 - 2 Use the included adaptor for an extended tilt up 30°
 - 3 Angle adjustment guide on the joining plate ensures accurate tilt of rail
 - 4 The installer can fit screens further or closer to the column as desired
- Connects BT8390 mounting rails to BT8380 vertical columns
 - Ideal for use in CCTV or broadcast control rooms
 - Used at any height on the column, and along the rail to suit the application
 - Suitable for a variety of different fixed, freestanding or mobile stands

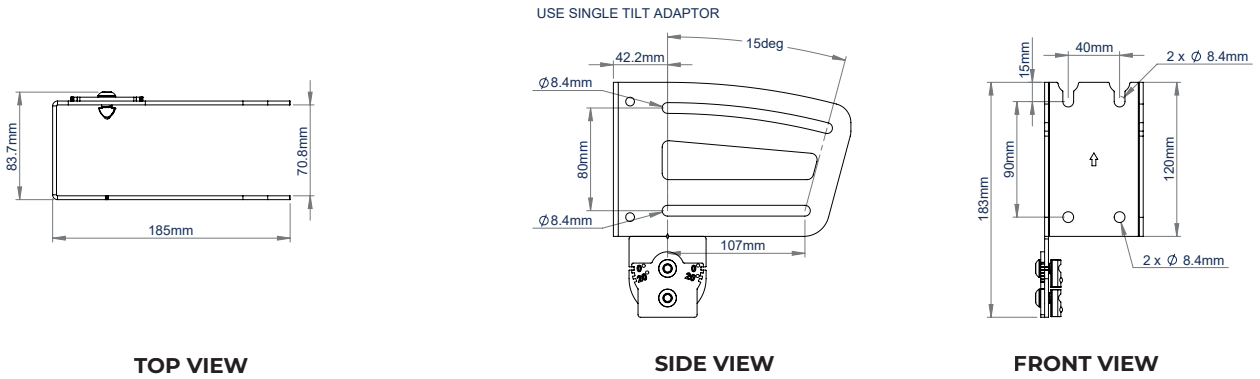


SYSTEM X

MAX LOAD SINGLE 50kg	MAX LOAD PAIR 100kg	TILT 30°	
--------------------------------	-------------------------------	--------------------	--



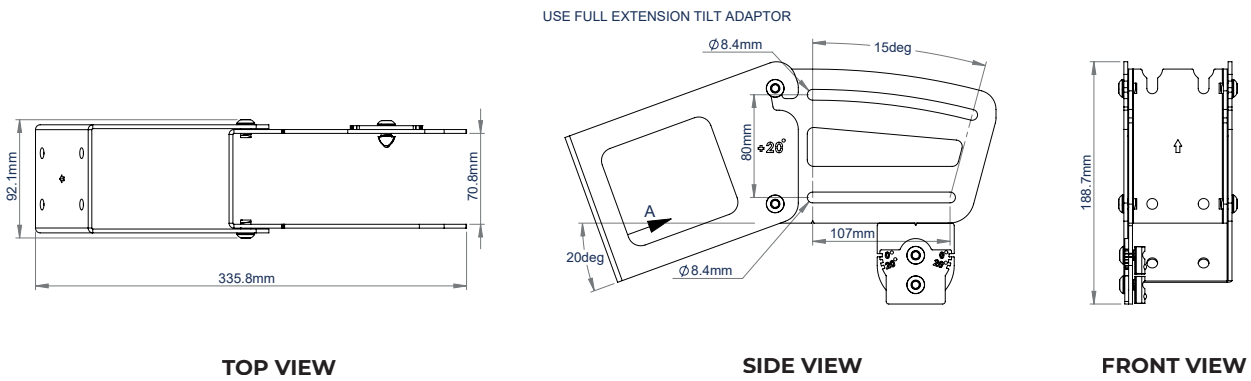
BT8380-JPT



TOP VIEW

SIDE VIEW

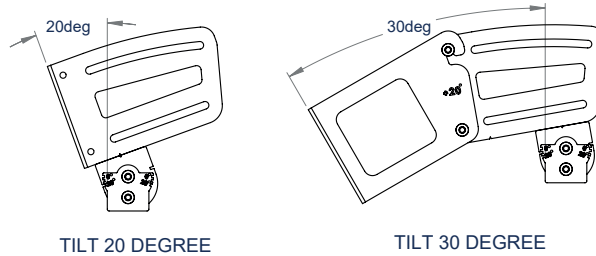
FRONT VIEW



TOP VIEW

SIDE VIEW

FRONT VIEW



TILT 20 DEGREE

TILT 30 DEGREE

ORDERING INFORMATION

COLOUR	ORDER REF	EAN
Black	BT8380-JPT/B	5019318306822

RELATED PRODUCTS

PRODUCT CODE	NAME	DESCRIPTION
BT8380	System X Vertical Column	Provides a platform for freestanding, mobile or bolt-down solutions
BT8390	System X Mounting Rail	Mounting rails in multiple lengths designed to support a variety of interface arms
BT8380-JPK	Joining Plate Kit	Fixes BT8390 mounting rails to BT8380 vertical columns
BT8380-EXTV	System X Column Extension Kit	Joins Vertical Columns together to increase overall height

© 2018 B Tech AV Mounts Co. Ltd. All rights reserved.
 The information in this specification sheet reflects the current technical specifications at the time of printing.
 We reserve the right to change the technical or physical specifications without prior notice. The B Tech name and the B Tech logo are registered trademarks of B Tech AV Mounts Co. Ltd.
 B Tech is not responsible for any loss or damage caused by improper installation or mounting on unstable structures. Any reproduction or reuse of this specification sheet is strictly prohibited unless prior written permission is granted by B Tech AV Mounts Co. Ltd. 120618

SS-BT8380-JPT-240124