

# BT8380-SHB

## SYSTEM X™ SHORT FLOOR BASE

As part of the System X range the BT8380-SHB attaches directly to BT8380 Vertical Support Columns providing a stable base for a freestanding screen mounting solution with a minimal footprint. The sturdy base is supplied with adjustable levelling feet to accommodate uneven floor surfaces and being 35cm shorter than the standard System X BT8380-BASE, the BT8380-SHB is ideal for installations where floor space may be limited.

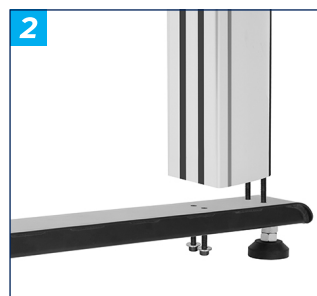
### SPECIFICATIONS

Length	<b>23.6"</b>
Width	<b>3.4"</b>
Height (with levelling feet)	<b>3.4" - 4.1"</b>
Max load (up to 1.8m column height)	<b>110lbs</b> (per screen)
Max load (up to 2.4m column height)	<b>110lbs</b> (per screen)*
Max load (up to 4.2m column height)	<b>55lbs</b> (per screen)*
Colour	<b>Black</b>



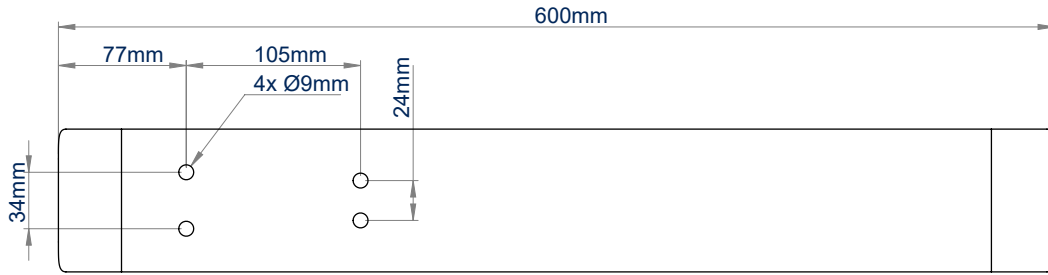
### FEATURES

- 1** Small footprint for an unobtrusive installation in confined areas
  - 2** Attaches quickly and easily to BT8380 vertical support columns
  - 3** Each base is supplied with 2 levelling feet to allow for post installation levelling
  - 4** Can be used with BT8380-WTB Wall Tie-Back for extra stability\*
- Short floor base with a smaller footprint than the BT8380-BASE\*
  - Supplied as individual units, one base must be used per column

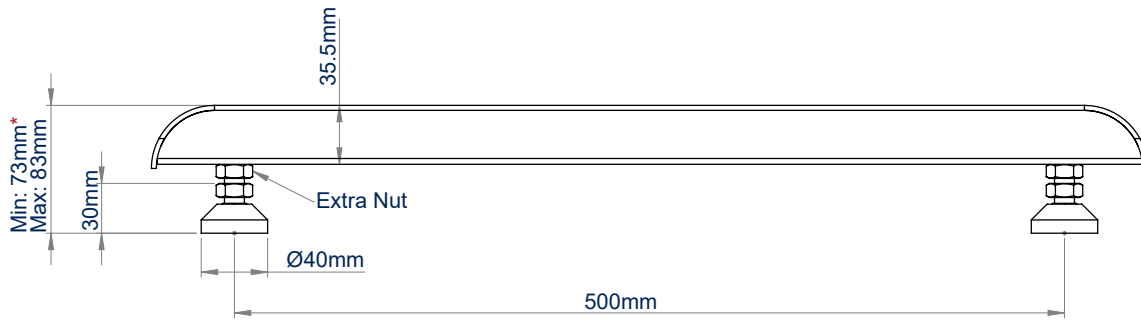


\*The BT8380-WTB must be used when the base is used with vertical columns over 1.8m

# BT8380-SHB

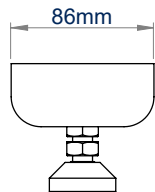


TOP VIEW

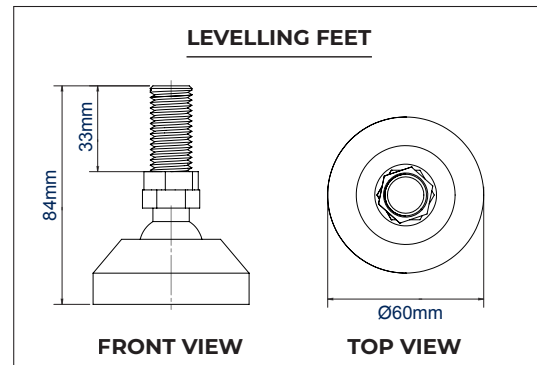


SIDE VIEW

\*\* The extra nut can be removed to reduce the height by 8mm for a lower profile range of 65-75mm



FRONT VIEW



LEVELLING FEET

FRONT VIEW

TOP VIEW

## ORDERING INFORMATION

COLOR	ORDER REF	BARCODE
Black	BT8380-SHB/B	5019318501937

## RELATED PRODUCTS

PRODUCT CODE	NAME	DESCRIPTION
BT8380-BASE	Floor Base for System X Carts and Stands	For freestanding or mobile solutions
BT8380	Vertical Support Column	Provides a platform for freestanding, mobile or bolt down solutions
BT8380-FFB	Fixed Floor Base	Provides a bolt down solution that can be used as alternate BT8380-BASE
BT8390-WTB	Wall Tie-Back	Provides added stability to System X Vertical Columns

© 2022 B-Tech AV Mounts Co. Ltd. All rights reserved. The information in this specification sheet reflects the current technical specifications at the time of printing. We reserve the right to change the technical or physical specifications without prior notice. The B-Tech name and the B-Tech logo are registered trademarks of B-Tech AV Mounts Co. Ltd. B-Tech is not responsible for any damage caused by improper installation or mounting on unsuitable structures. Any reproduction or use without permission is prohibited. All other trademarks are the property of their respective owners. Specification sheet is strictly for reference and does not constitute a contract. B-Tech AV Mounts Co. Ltd. 12061E

SS-V2-BT8380-SHB-060825