

BT8385-RTC

RAIL-TO-COLUMN MOUNTING KIT FOR USE WITH BT8385

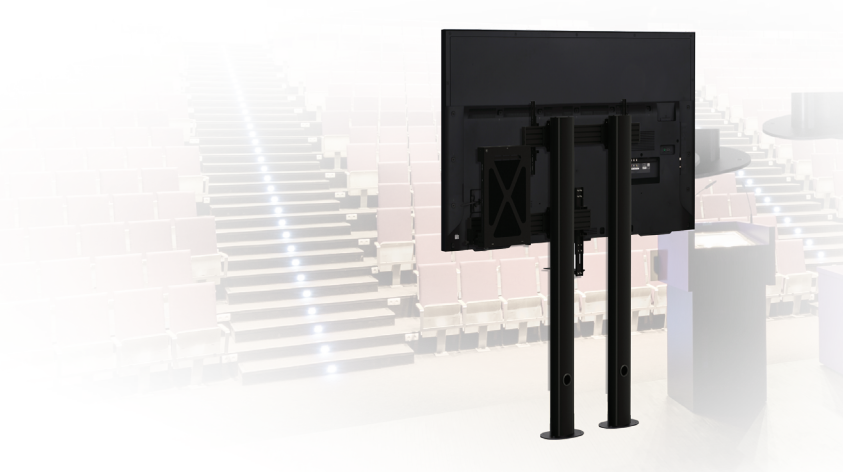
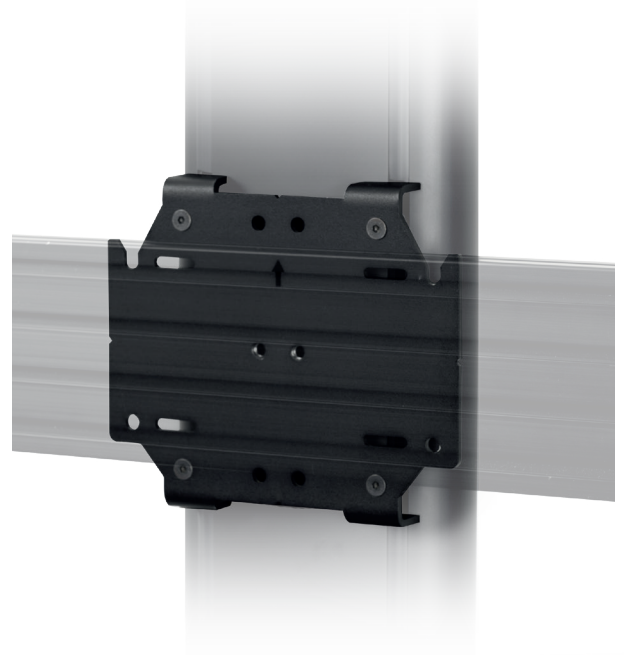
Designed to fit BT8390 Mounting Rails to BT8385 Vertical Columns, the BT8385-RTC joining plate can be fitted easily to existing Mode-AL set-ups or used in conjunction with B-Tech's component ranges to create your own bespoke mounting solution. Use BT8385-RTC alongside a BT8390 Mounting Rail to fit a BT7884 Flip-Down Storage Tray to a Mode-AL display stand.

SPECIFICATIONS

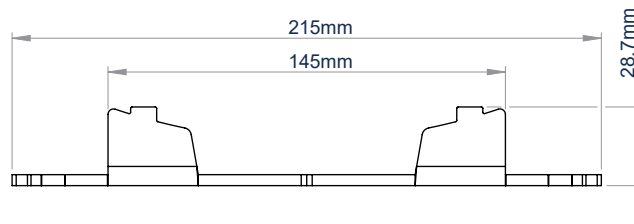
Brackets supplied per pack	1
Colour	Black

FEATURES

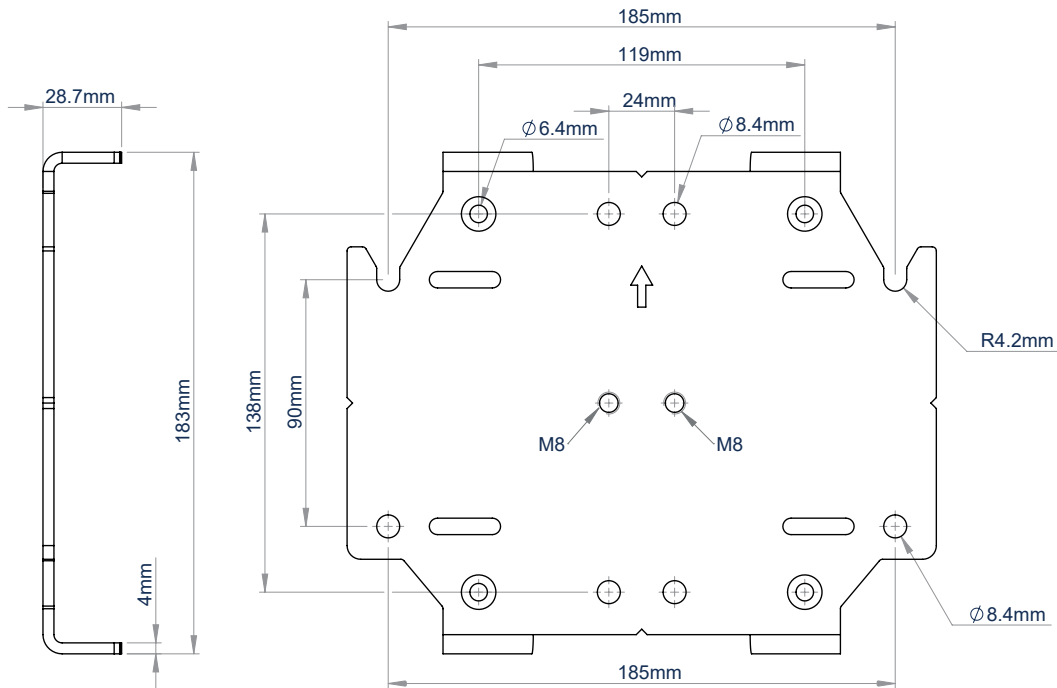
- 1** Designed to connect BT8390 mounting rail to BT8385 Vertical Columns
- 2** Use BT8385-RTC alongside BT8390 Mounting Rail to fit a BT7884 Flip Down Storage Tray to a Mode-AL Vertical Column
- 3** One BT8385-RTC needed to fit a mounting rail across a single column install
- 4** Two BT8385-RTC needed to fit a mounting rail across a twin column install
- Add mounting rails to existing solutions or as part of a bespoke mounting solution when used in with B-Tech's range of Mode-AL components



BT8385-RTC



TOP VIEW



SIDE VIEW

FRONT VIEW

ORDERING INFORMATION

COLOUR	ORDER REF	EAN
Black	BT8385-RTC/B	5019318302732

RELATED PRODUCTS

PRODUCT CODE	NAME	DESCRIPTION
BT8385-130 / 190	Vertical Columns	Available in Silver or Black
BT8390	System X™ Mounting Rails	Available in Silver or Black
BT8385-TXB	Twin Column Base	For use with two BT8385 Vertical Columns
BT8585-SXB	Single Column Base	For use with a single BT8385 Vertical Column

© 2018 B.Tech. AV Mounts Co. Limited. All rights reserved.
 The information in this specification sheet reflects the current technical specifications at the time of printing.
 We reserve the right to change the technical or physical specifications without prior notice. The B.Tech. name and the B.Tech. logo are registered trademarks of B.Tech. AV Mounts Co. Ltd.
 B.Tech. is a registered trademark of B.Tech. AV Mounts Co. Limited. All other trademarks are the property of their respective owners. B.Tech. is not responsible for any damage caused by improper installation or mounting on unstable structures. Any reproduction or reuse of this specification sheet is strictly prohibited unless prior written permission is granted by B.Tech. AV Mounts Co. Ltd. 2018.

SS-V2-BT8385-RTC-200924