

# BT8385-CTW

## FLOOR-TO-WALL MOUNTING KIT FOR USE WITH BT8385

Designed to securely install BT8385 Vertical Columns close to a wall. The BT8385-CTW is made up from two parts; a wall plate that secures the BT8385 Vertical Column to the wall and a base plate that secures the column to the floor with a minimal footprint. The brackets support substantial loads and are ideal for mounting AV installations in retail and office environments where a close to wall installation is preferred to avoid trip hazards.

### SPECIFICATIONS

Max load	<b>154lbs</b>
Distance from the wall to the front of column	<b>4"</b>
Color	<b>Black</b>



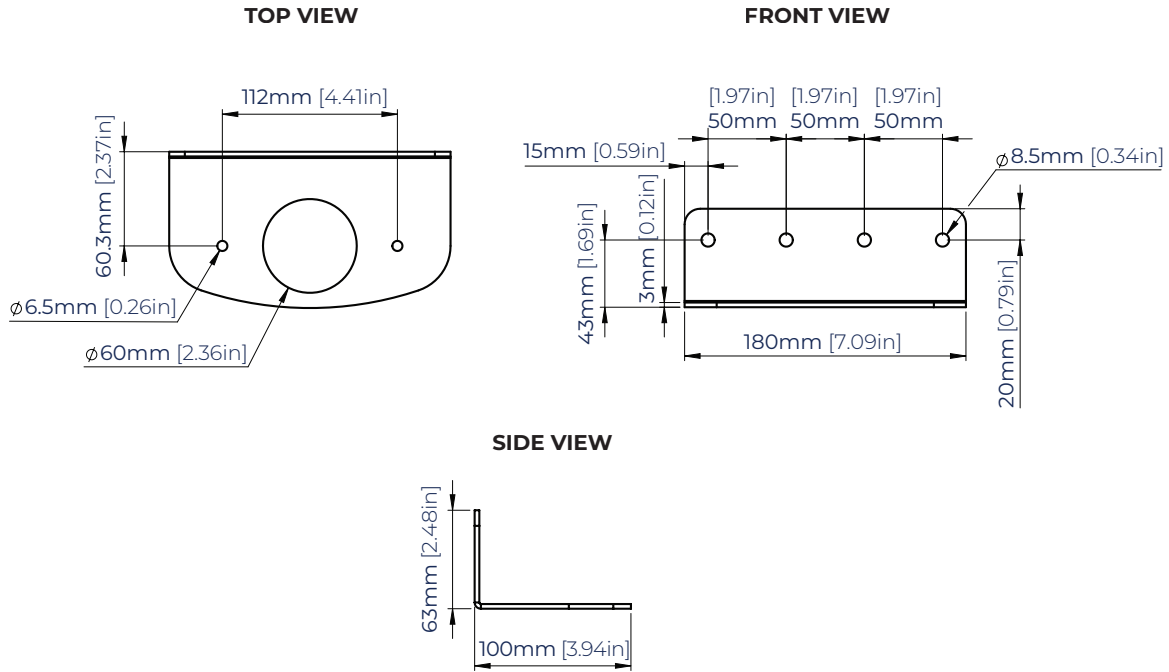
### FEATURES

- 1 Close to the wall installation
  - 2 Base plate is fitted to the floor for a secure install using suitable fixings (not supplied)
  - 3 Cables can be run through the center of the base and into the vertical column from under the floor
  - 4 Can be used to create large scale installations - ideal for control rooms
- For use with a BT8385 Vertical Column
  - Small footprint for unobtrusive setup
  - Heavy duty steel capable of supporting substantial loads
  - High-end aesthetic quality
  - Integrated cable management allows cables to run through the center of the base and into the vertical column under the floor

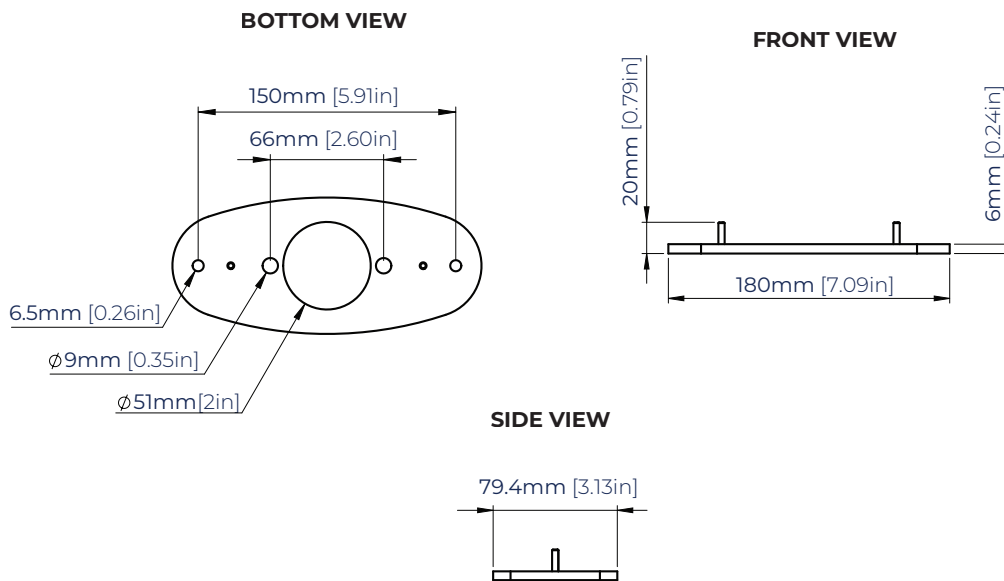


# BT8385-CTW

## COLUMN TO WALL PLATE



## BASE PLATE



## ORDERING INFORMATION

COLOR	ORDER REF	BARCODE
Black	BT8385-CTW	5019318302763

## RELATED PRODUCTS

PRODUCT CODE	NAME	DESCRIPTION
BT8385-130 / 190	Vertical Columns	Available in silver or black
BT8385-RTC	Column Mounting Bracket	For use with a BT8385 Vertical Column
BT8390	System X™ Mounting Rails	Available in silver or black
BT8700	Floor-To-Wall Single Screen UC Stand	Complete 1.3m stand for use with a single screen up 154lbs

© 2015 B Tech AV Mounts Co., Ltd. All rights reserved.  
 The information on this specification sheet reflects the current technical specifications at the time of printing.  
 We reserve the right to change the technical or physical specifications without prior notice. The B Tech name and the B Tech logo are registered trademarks of B Tech AV Mounts Co., Ltd.  
 B Tech is not responsible for loss or damage caused by improper installation or mounting on unsuitable structures. Any reproduction or reuse, adaptation or modification of any part of this specification sheet is strictly prohibited unless prior written permission is granted by B Tech AV Mounts Co., Ltd.

SS-V2-BT8385-CTW-210725