

BT8385

VERTICAL COLUMN

BT8385 vertical support columns are the backbone of most Mode-AL installations. Made from durable aluminum, the column is sturdy yet lightweight to support single or multiple horizontal mounting rails. Columns are available in two lengths and feature removable rear and top covers to allow the user to run cables through the centre of the column for a tidy installation. Available in both black and silver finish the stylish design gives a high-end finish to any install in which they are used.

SPECIFICATIONS

Max load	154lbs
BT8385-130 dimensions	H : 51.2" x W : 7" x D : 3.4"
BT8385-190 dimensions	H : 74.8" x W : 7" x D : 3.4"
Color	Black or Silver

FEATURES

- 1 Compatible with a variety of Mode-AL floor bases (BT8385-SXB shown in image)
 - 2 Attach mounting rails to columns using BT8385-RTC Mounting Bracket
 - 3 Integrated cable management throughout the vertical column
 - 4 Available in both black or silver finish
- Designed for use in a variety of applications such as freestanding, mobile and bolt-down installations
 - Ideal for creating videowalls and other multi-screen installations
 - Cover strips included for smart finish

BT8385-130
1.3 metre

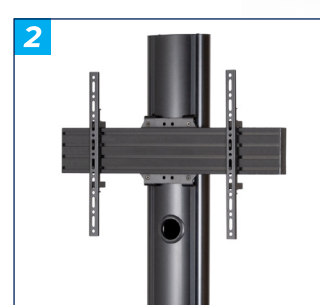
BT8385-190
1.9 metre



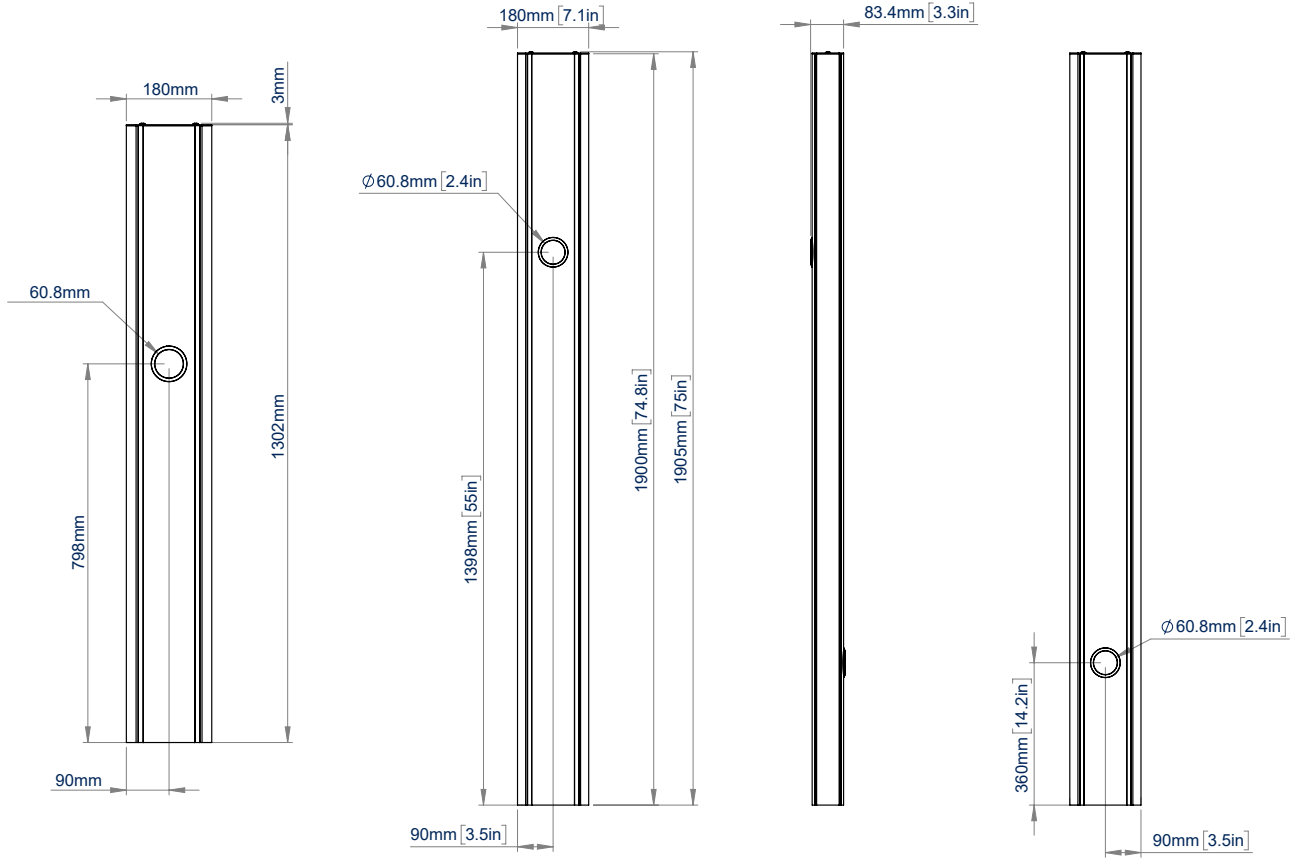
MAX LOAD

154lbs

COLOR OPTIONS



BT8385

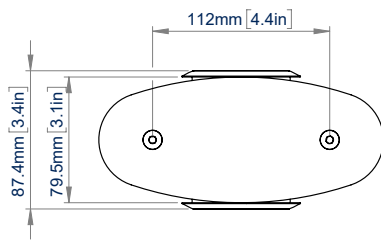


BT8385-130
FRONT VIEW

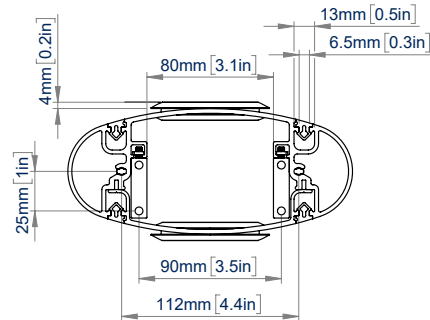
BT8385-190
FRONT VIEW

SIDE VIEW

REAR VIEW



TOP VIEW



BOTTOM VIEW

ORDERING INFORMATION

COLOR	ORDER REF	BARCODE
Black	BT8385-130/B	5019318302848
Silver	BT8385-130/S	5019318302886
Black	BT8385-190/B	5019318302855
Silver	BT8385-190/S	5019318302893

RELATED PRODUCTS

PRODUCT CODE	NAME	DESCRIPTION
BT8385-RTC	Rail-to-Column Mounting Bracket	For use with a BT8385 Vertical Column
BT8385-SXB	Single Column Base	For a single BT8385 Vertical Column
BT8385-TXB	Twin Column Base	For use with two BT8385 Vertical Columns
BT8385-CTW	Floor-to-Wall Mounting Bracket	For use with a BT8385 Vertical Column

© 2015 B-Tech AV Mounts Co., Ltd. All rights reserved.
 The information in this specification sheet reflects the current technical specifications at the time of printing.
 We reserve the right to change the technical or physical specifications without prior notice. The B-Tech name and the B-Tech logo are registered trademarks of B-Tech AV Mounts Co., Ltd.
 B-Tech is not responsible for any loss or damage caused by improper installation or mounting on unsuitable structures. Any reproduction or reuse of information or specification of any part of this specification sheet is strictly prohibited unless prior written permission is granted by B-Tech AV Mounts Co., Ltd.

SS-V2-BT8385-150725