

BT8385-SXB

SINGLE COLUMN BASE FOR USE WITH BT8385

BT8385-SXB provides a sturdy base to create freestanding screen mounting solutions. The base is easily fitted to a BT8385 Vertical Column to create the basis of your installation. Supplied with adjustable levelling feet to accommodate uneven floor surfaces. Braked castors are also available for a mobile solutions (BTW75-4 available separately).



SPECIFICATIONS

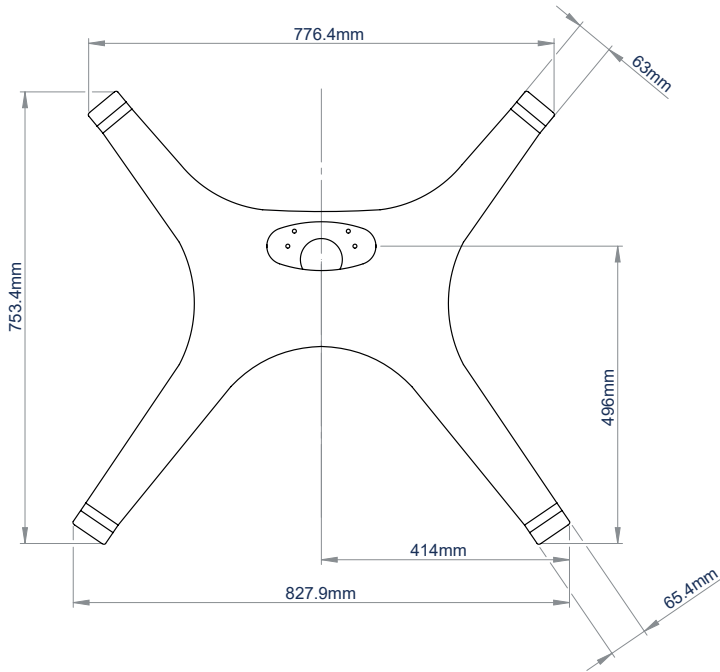
Max load	70kg
Colour	Black

FEATURES

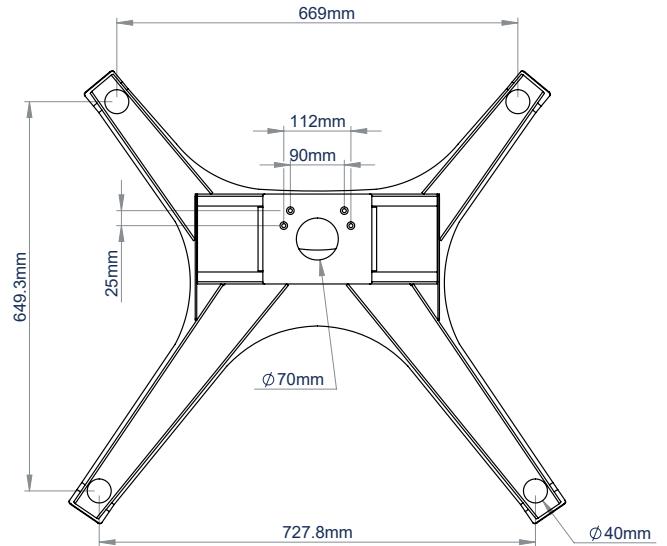
- 1 Fixes to a BT8385 Vertical Column
 - 2 Supplied with adjustable levelling feet to accommodate uneven floor surfaces
 - 3 Integrated cable management throughout the base
 - 4 Screw in Braked Castors available separately (BTW75-4)
- Provides a sturdy base to create freestanding screen mounting solution



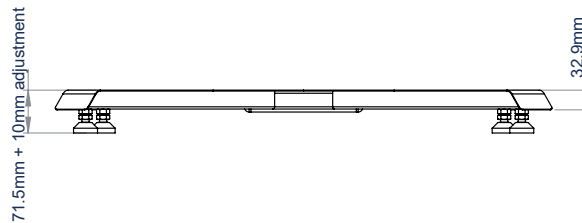
BT8385-SXB



TOP VIEW



BOTTOM VIEW



FRONT VIEW

ORDERING INFORMATION

COLOUR	ORDER REF	EAN
Black	BT8385-SXB/B	5019318304637

RELATED PRODUCTS

PRODUCT CODE	NAME	DESCRIPTION
BT8385-130 / 190	Vertical Columns	Available in silver or black
BTW75-4	Braked Casters	Adds mobility to Mode-AL bases
BT8385-TXB	Double Column Base	For use with two BT8385 Vertical Columns
BT8585-RTC	Rail-to-Column Mounting Bracket	For use with BT8385 Vertical Columns

© 2018 B-Tech AV Mounts Components Ltd. All rights reserved.
 The information in this specification sheet reflects the current technical specifications at the time of printing.
 We reserve the right to change the technical or physical specifications without prior notice. This is both in name and the B-Tech logo are registered trademarks of B-Tech AV Mounts Co. Ltd.
 B-Tech is a registered trademark of B-Tech AV Mounts Co. Ltd. All other trademarks are the property of their respective owners.
 B-Tech AV Mounts Co. Ltd. is not responsible for any damage caused by improper installation or mounting on unsuitable structures. Any reproduction or reuse of information or specification of any part of this specification sheet is strictly prohibited unless prior written permission is granted by B-Tech AV Mounts Co. Ltd. 2018.

SS-V2-BT8385-SXB-1 90924