



SET ROW  
 DISTANCES FOR  
 VIDEO WALL  
 INSTALLS

# BT8390-SP

## SYSTEM X™

### ROW HEIGHT ADJUSTMENT SPACER

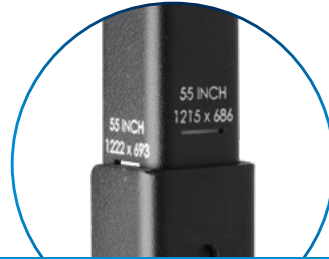
The BT8390-SP row height spacer is designed to set the distance between two horizontal mounting rails for landscape video wall installations. The spacer simply hooks over BT8380-JPK and is incremented to make it compatible with 46", 47", 55" and 60" screens. This product is a useful tool that dramatically shortens install times by eliminating on-site calculations, while creating perfectly spaced video wall solutions.

#### SPECIFICATION

Steel thickness	2mm
Screen size increments	46", 47", 55" and 60"
Maximum extension	942mm
Colour	Black

#### FEATURES

- Designed to speed up installations of 46", 47", 55" and 60" videowalls
- Increment notches in the product allow the correct screen size to be quickly identified and set into place using the thumbwheel
- Dramatically shortens install times by eliminating on-site calculations
- Supplied with all System X off-the-shelf videowall solutions as standard
- Re-suable for future builds



To set the distance between the BT8390 mounting rails set Spacer to the desired screen size, place on the top BT8380-JPK & adjust the below JPK to the bottom groove on the Spacer.



60" 152CM

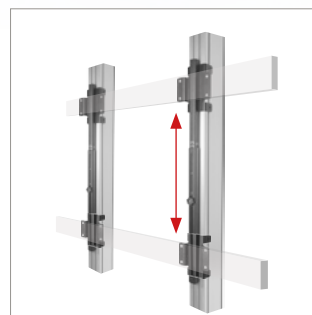
SYSTEM X



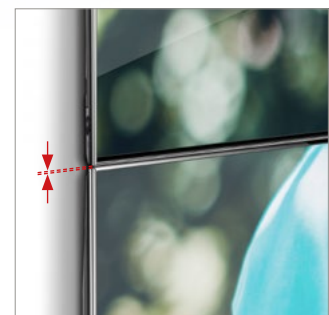
Thumbwheel allows the setting on the spacer to be fixed in place



Simply hooks onto BT8380-JPK to space mounting rails to the desired screen size



Notches in the product allow the correct screen size to be quickly identified



Easy to use design gives clear and precise measurement

