



**MOUNT
 BT8390 RAILS
 TO A WALL OR
 ONTO POLES**

BT8390-WFK2

SYSTEM X™

RAIL MOUNTING BRACKET

The BT8390-WFK2 is a bracket designed to fix BT8390 mounting rails onto walls or poles, for the installation of video walls and other multi-screen configurations. The sturdy 5mm thick plate is designed for installations using micro-adjustment, pop-out or XL interface arms from the System X range.

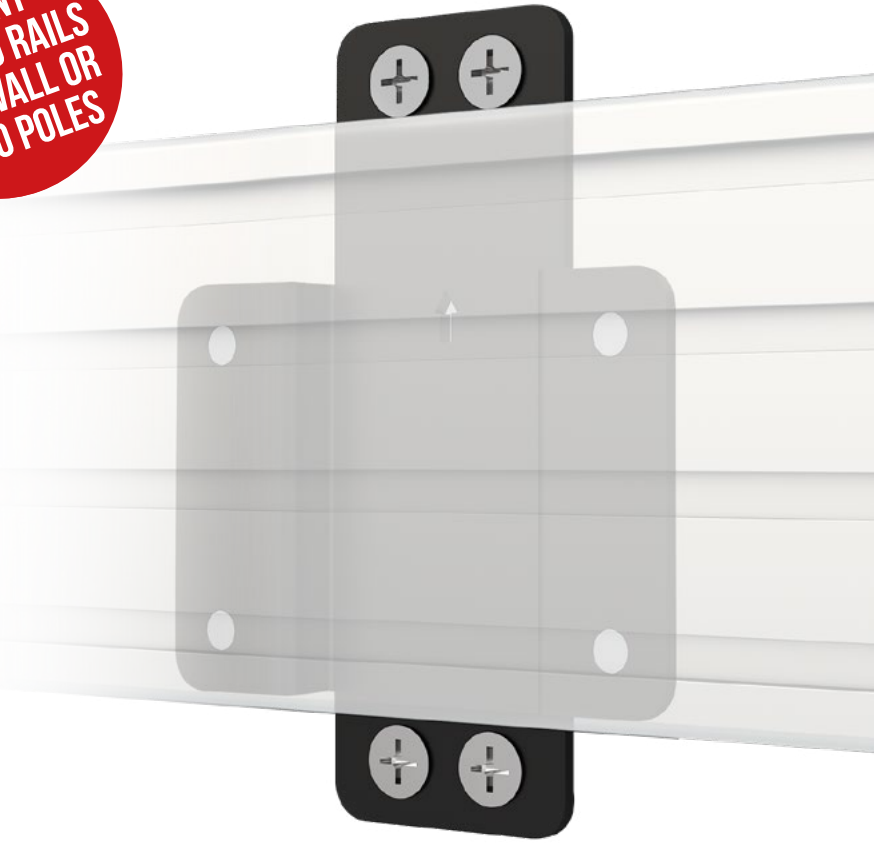
SPECIFICATION

Compatible interface arms	Any System X arm
Distance from wall to front of rail	49mm
Colour	Black
Brackets supplied per pack	1
Quantity of brackets required per rail length (landscape installs):*	
Rail Length	Qty
0 - 2000mm	2pcs
2001 - 3500mm	3pcs
3501 - 5500mm	4pcs
5501 - 7750mm	5pcs
7751 - 8500mm	6pcs

*Use B-Tech's online configuration tool to automatically calculate the quantity required based on your configuration. www.btechavmounts.com/systemx-configurator

FEATURES

- Designed to mount **BT8390** horizontal mounting rails to the wall
- Can also be used for pole mounted videowall installations
- Increased depth allows for an enhanced tilt range when using tilt arms
- Countersunk screws sit flush with the plate for a neat installation



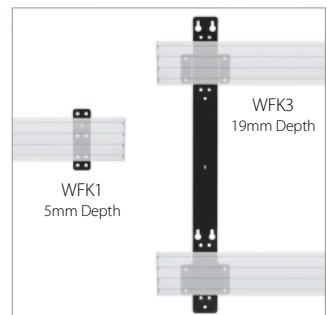
Countersunk screws sit flush with the plate for a neat installation



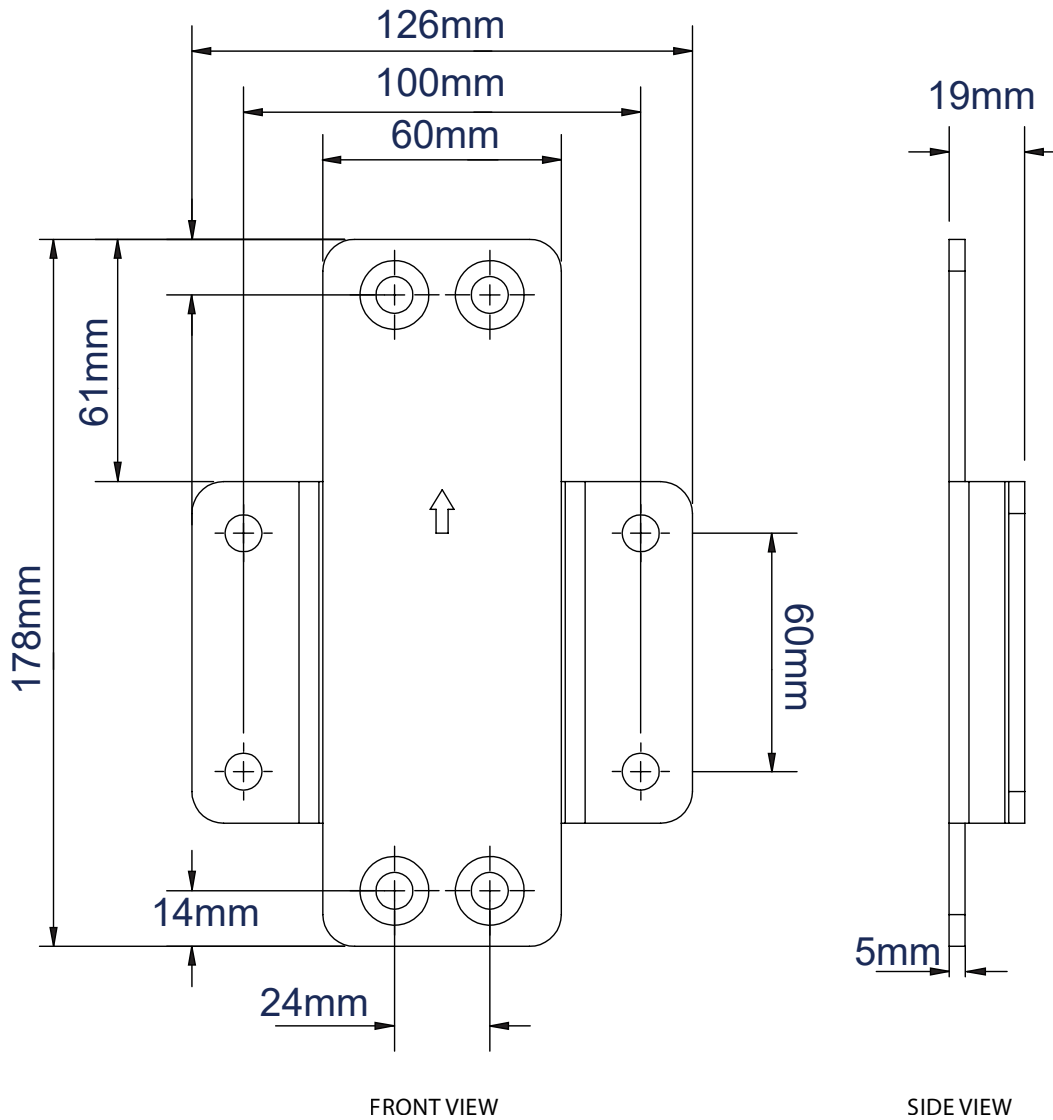
All mounting hardware included



Can also be used for pole mounted video wall installations



Alternative Rail Mounting Brackets are available, please see **BT8390-WFK1** & **BT8390-WFK3**



FRONT VIEW

SIDE VIEW

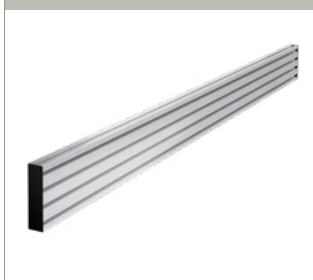
PACKING INFORMATION

ORIGINAL DESIGN BY B-TECH - REGISTERED COMMUNITY DESIGN NO.: 002741256-0029

COLOUR:	ORDER REF:	EAN CODE:	MASTER CARTON QTY:	INNER CARTON QTY:	MASTER CARTON WEIGHT:	MASTER CARTON CUBE:
Black	BT8390-WFK2/B	5019318501272	20	0	15.5kg	0.059cbm

ACCESSORIES AND RELATED PRODUCTS

BT8390-030/050/070/150/175/200



Mounting Rails can be fixed to columns, walls or poles using System X components

BT8390-WFK1



Rail Mounting Bracket designed to mount BT8390 horizontal mounting rails to the wall

BT8390-VESA800F



VESA 800 Universal Interface Arms For XL Screens designed to mount substantial loads p to 200kg on twin rail systems

BT8390-VESA400MAP



Pop-In, Pop-Out Interface Arms allow access to the rear of screens for easy servicing and maintenance

© 2019 B-Tech Av Mounts. All rights reserved. The information in this specification sheet reflects the current technical specifications at the time of print. We reserve the right to change the technical or physical specifications without notice. B-Tech Av Mounts and B-Tech Technologies are registered trademarks of B-Tech International Design & Manufacturing Ltd. B-Tech Av Mounts is a registered trademark of B-Tech Av Mounts. All other trademarks are the property of their respective owners. B-Tech Av Mounts is not responsible for any damage caused by misuse or mounting on unsuitable structures. Any reproduction or retransmission or replication of any part of this specification is expressly prohibited, unless prior written permission has been granted by B-Tech International Design & Manufacturing Ltd. (B-Tech).

SS-V2.1-BT8390-WFK2-130919