

BT8428

BACK-TO-BACK FLAT SCREEN CEILING MOUNT WITH TILT

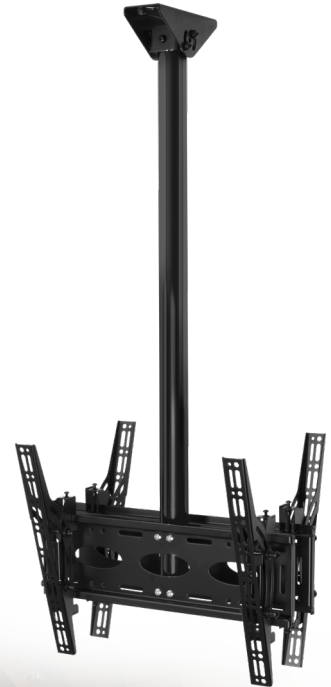
Designed to ceiling mount two screens in a back-to-back configuration, the BT8428 is available in a choice of FOUR different drop lengths; 3.3ft, 4.9ft, 6.6ft and 9.8ft. The mount uses B-Tech's unique 'Torsion-Tilt' mechanism for easy tilt up to +/-15°. Levelling screws are included on the interface arms to finely adjust the screen height and locking screws help prevent unauthorised removal of the screens.

SPECIFICATIONS

Recommended Screen Size	up to 65"
Max load	110lbs (per screen)
VESA® & non-VESA fixings	up to 468 x 400
VESA® compatibility (with included adaptors)	up to 600 x 400
Ceiling drop	18", 37.8", 57.5", 77.2", 116.5" **
Tilt (at screen)	up to +/-15°
Tilt (at ceiling)	up to +90°
Colour option (Ø50mm pole)	Black

FEATURES

- 1 Levelling screws allow adjustment of the screen height once mounted
 - 2 Security locking screws and Allen key provide a secure installation
 - 3 Ceiling bracket can be tilted for mounting on angled ceilings
 - 4 Maximum VESA fixing can be increased to 600 using the included adaptor arms
- Mounts two screens back-to-back
 - Unique 'torsion-tilt' mechanism for tool-less screen tilt adjustment
 - Suitable for landscape or portrait mounting
 - Lateral adjustment of screen once mounted
 - Poles are supplied with safety bolt and grub screws for a secure installation
 - Integrated cable management
 - Simple 'hook-on' installation with all mounting hardware included



Available in 4 pole lengths**

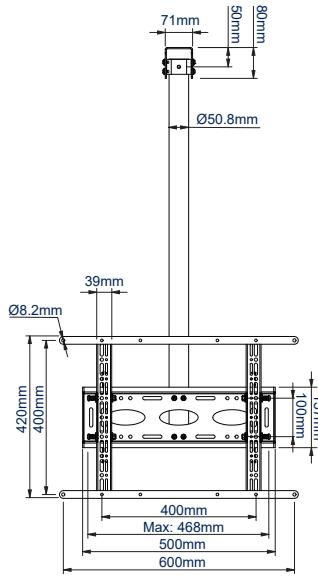
BT8428-100	3.3ft Pole
BT8428-150	4.9ft Pole
BT8428-200	6.6ft Pole
BT8428-300	9.8ft Pole

RECOMMENDED MAX SCREEN	MAX SCREEN WEIGHT	MAX VESA	POST INSTALL ALIGNMENT	TILT	COLOUR OPTIONS	QR CODE
65" 165cm	110lbs	600 x 400		15° 15°		

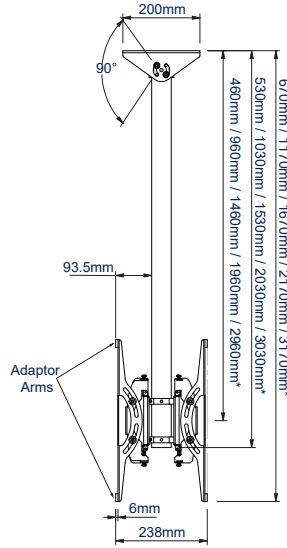


**From the ceiling to the center of the mount

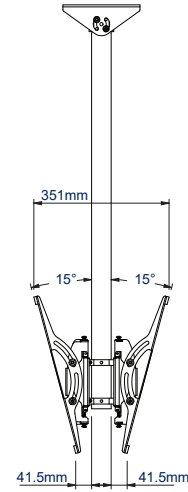
BT8428



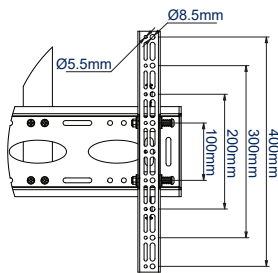
FRONT VIEW WITH ADAPTOR ARMS



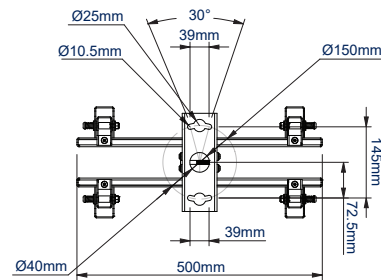
SIDE VIEW INTERFACE FLAT



SIDE VIEW INTERFACE TILT DOWN



INTERFACE ARM CLOSE UP VIEW



TOP VIEW

ORDERING INFORMATION

COLOR	ORDER REF	BARCODES
Black w/ Black Poles	BT8428-100/B	5019318551413
Black w/ Black Poles	BT8428-150/B	5019318551420
Black w/ Black Poles	BT8428-200/B	5019318551437
Black w/ Black Poles	BT8428-300/B	5019318501807

RELATED PRODUCTS

PRODUCT CODE	NAME	DESCRIPTION
BT8424	Universal Flat Screen Ceiling Mount with Tilt	Designed for screens up to 65"
BT8426	Flat Screen Ceiling Mount with Adjustable Drop	Designed for screens up to 65"
BT8448	Extra-large Flat Screen Ceiling Mount	Designed for screens over 65"
BT7565	VESA Adaptors	Increases VESA fixes up to 800

© 2018 B.Tech. AV Mounts Corporation Ltd. All rights reserved.
 The information in this specification sheet reflects the current technical specifications at the time of printing.
 We reserve the right to change the technical or physical specifications without prior notice. This is both an inherent and the B.Tech. AV Mounts Corporation Ltd.
 B.Tech. AV Mounts Corporation Ltd. is not responsible for any damage caused by improper installation or mounting on unsuitable structures. Any reproduction or use of information or specification of any part of this
 specification sheet is strictly prohibited unless prior written permission is granted by B.Tech. AV Mounts Corporation Ltd.

SS-V2-BT8428-270625