

BT8431

FLAT SCREEN WALL MOUNT WITH TILT FOR SCREENS UP TO 55"

Designed to mount medium to large screens, the BT8431 is a flat screen wall mount with a unique 'Torsion-Tilt' mechanism, allowing easy screen tilt adjustment up to +/-15°. Also suitable for pole mounting using B-Tech's Accessory Collars, the BT8431 features leveling screws to adjust the screen level post installation as well as locking screws which help prevent unauthorized removal of the screen.

SPECIFICATIONS

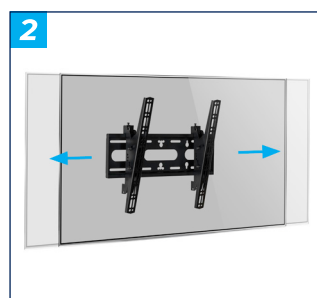
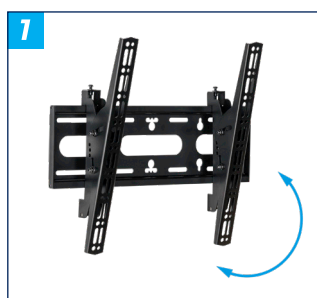
Recommended screen size	39" - 65"
Max load	110lbs
VESA® & non-VESA fixings	up to 468 x 400
Tilt	+/-15°
Distance from wall (flat)	3.2"
Distance from wall (full tilt)	5.4"

FEATURES

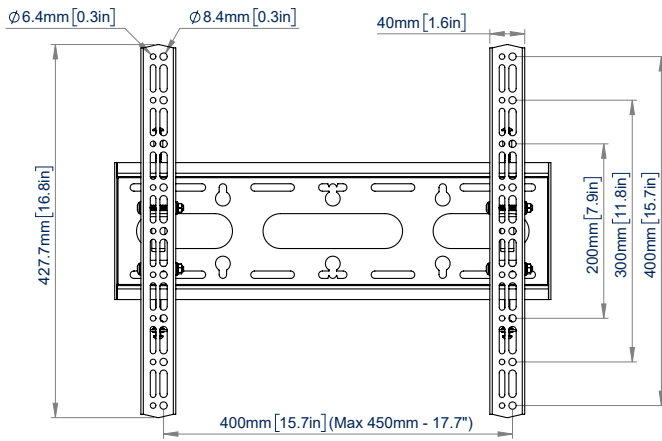
- 1 Unique 'Torsion-tilt' mechanism for easy tool-less adjustment
 - 2 Lateral adjustment of the screen once mounted
 - 3 Leveling screws allow adjustment of screen height
 - 4 Security locking screws and Allen key to prevent unauthorized removal
- Keyhole mounting for easy installation
 - Collar compatible, ideal for pole mounting
 - Simple 'hook-on' installation with all mounting hardware included



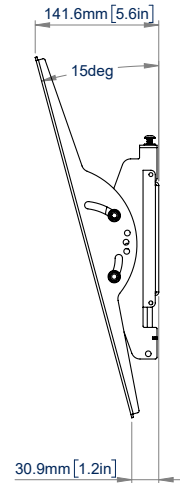
RECOMMENDED MAX SCREEN	MAX LOAD	MAX VESA	TILT	POST INSTALL ALIGNMENT	COLLAR COMPATIBLE	QR CODE
65" 165cm	110lbs	400	15° 15°	← →	⬇ ⬆	



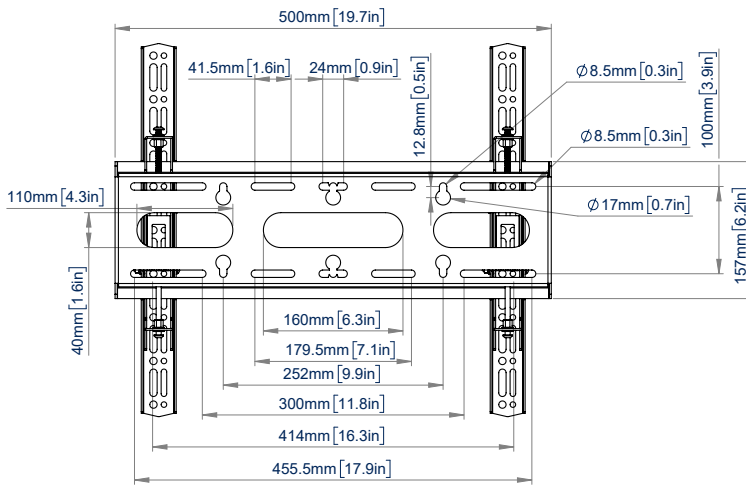
BT8431



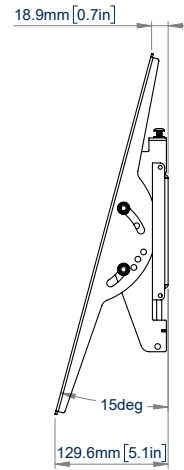
FRONT VIEW



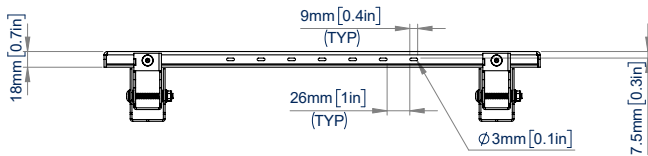
**SIDE VIEW
MAXIMUM TILT**



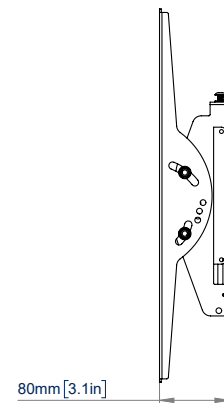
REAR VIEW



**SIDE VIEW
MINIMUM TILT**



TOP VIEW



SIDE VIEW

ORDERING INFORMATION

COLOR	ORDER REF	BARCODE
Black	BT8431/B	5019318084270

RELATED PRODUCTS

PRODUCT CODE	NAME	DESCRIPTION
BT7822	System 2 Ceiling / Floor Mount	Designed to mount a BT7850 Ø2" pole from the ceiling or floor
BT7850	System 2 Ø2" Poles	Available in a variety of lengths to create multiple pole-mounted solutions
BT7841	System 2 Accessory Collar	Accessory Collars allow the user to attach a variety of mounts to Ø2" Poles
BT8441	Flat Screen Wall Mount	Alternative mounting solution for screens up to 65" when tilt function is not required

© 2015 B Tech AV Mounts, Inc. All rights reserved.
 The information in this specification sheet reflects the current technical specifications at the time of printing.
 We reserve the right to change the technical or physical specifications without prior notice. The B Tech name and the B Tech logo are registered trademarks of B Tech AV Mounts, Inc. All other trademarks are the property of their respective owners.
 B Tech AV Mounts, Inc. is not responsible for any damage caused by improper installation or mounting on unstable structures. Any reproduction or use without permission is prohibited.
 Specification sheets in this portfolio are for informational purposes only. All other specifications are subject to change without notice.
 SS-BT8431-010825