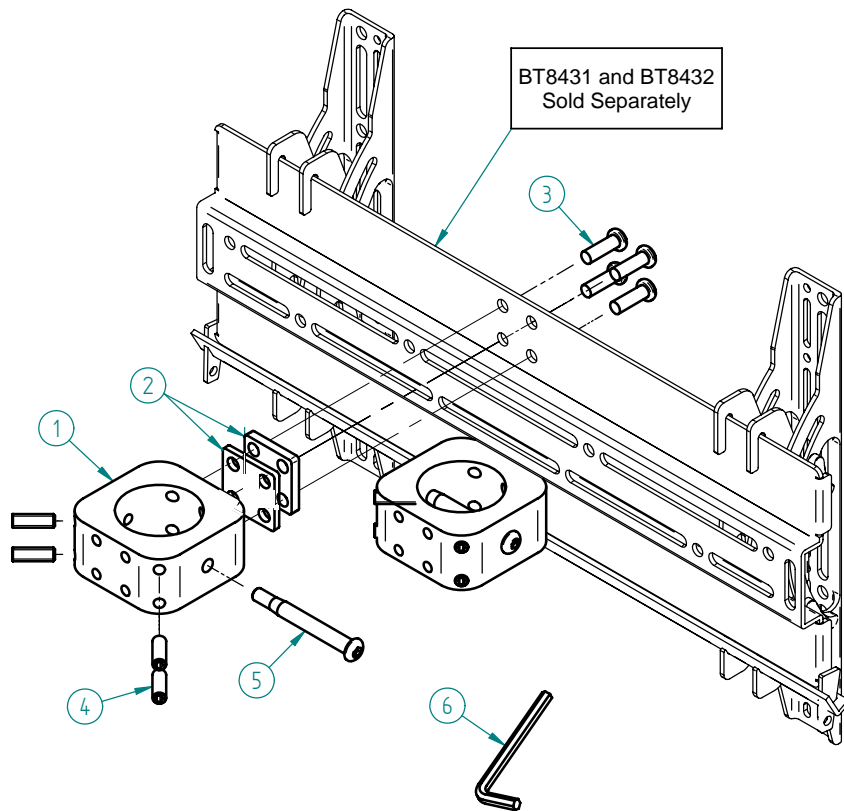




# BT8436

## 60MM COLLAR KIT FOR BT8431 & BT8432

This kit is designed to mount the BT8431 and/or BT8432 to B-Tech 60mm Extension Poles.



### PARTS LIST

No	PART NAME	QTY
1	60mm COLLAR	2
2	4mm SQUARE SPACER	8
3	M8 X 20 CROSS SCREW	16
4	M10 X 20 GRUB SCREW	8
5	M8 X 80 SAFETY BOLT (OPTIONAL)	2
6	5mm ALLEN KEY (FOR PARTS 4 & 5)	1

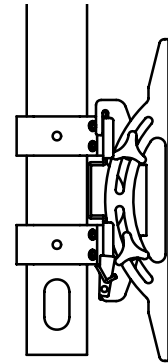
PLEASE KEEP THIS PARTS LIST FOR FUTURE REFERENCE

### PLEASE NOTE

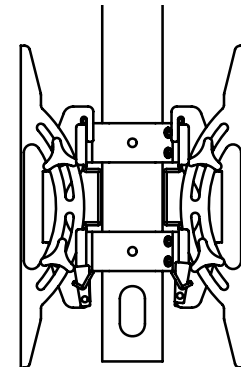
It is recommended that at least one 9mm hole is drilled through the pole and a safety bolt (Part 5) set in place before any AV equipment is fitted.

### TYPICAL INSTALLATIONS

1. Single BT8431 or BT8432 mounted on a 60mm extension pole.



2. Back to back 60mm pole mounting for BT8431 and/or BT8432 in any combination.



To mount a BT8431 or BT8432 to a B-Tech 50mm (2 inch) extension pole use kit BT8435.

**B-Tech International Ltd,**  
Long March, Daventry, Northants NN11 4NR, UK.  
Tel: +44 (0)1327 300 787 Fax: +44 (0)1327 706 562  
Email: info@b-tech-int.com

**B-Tech PRO-AV bvba,**  
Brixtonlaan 32, Zaventem 1930, Brussels, Belgium.  
Tel: +32 (0)2 720 92 71 Fax: +32 (0)2 725 42 15  
Email: info@btechproav.com

**B-Tech Audio Video Mounts,**  
Buffalo, NY 14215, USA.  
Tel: (1)800 975 5812 Fax: (1)800 592 2876  
Email: info@btechavmounts.com

**B-Tech International (Hong Kong) Ltd,**  
23rd Floor, Manulife Tower, North Point, HK.  
Tel: (+852) 2556 7337 Fax: (+852) 2556 7321  
Email: info@b-tech-int.com.hk

[www.btechavmounts.com](http://www.btechavmounts.com)