

Large Flat Screen Display Trolley / Stand

For more information please visit www.btechavmounts.com/BT8503

BT8503



**MAXIMUM
FIXING DIMENSIONS**
HORIZONTAL:
800mm (31.5")

BT8503

Large Flat Screen Trolley / Stand

**Designed for quick and easy installation
for screens up to 60" (127cm) / 50kg (110lbs)**

- Fits screens with horizontal patterns up to 800mm (31.5")
- Fits all VESA® fixings up to:
800 x 600mm (landscape screen orientation)
800 x 400mm (portrait screen orientation)
- Mounts screen in landscape or portrait style
- Includes universal flat screen interface kit
- 1.8m Ø50mm poles supplied with 5 cable management holes
- Non marking 3" locking/braked castors included
- Also supplied with optional screw in levelling feet
- **Dimensions:**
W: 1940mm (76.4")
D: 782mm (30.8")
H: 1120mm (44.1")
- Includes BT7057 pole rings
- Colours Available: Black



Mounts screen in landscape or portrait style



Tempered Glass Shelf and Bracket (2x BT7151 + BT7163) also available



Braked castors supplied

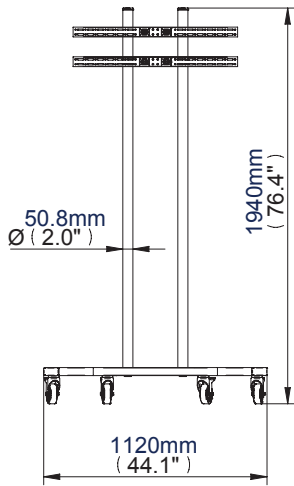


Levelling feet supplied

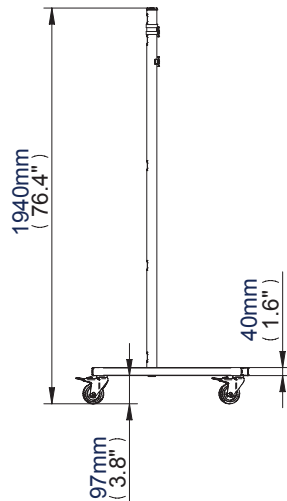
Large Flat Screen Display Trolley

For more information please visit www.btechavmounts.com/BT8503

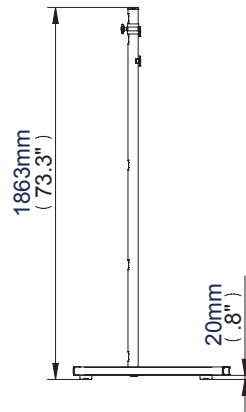
BT8503



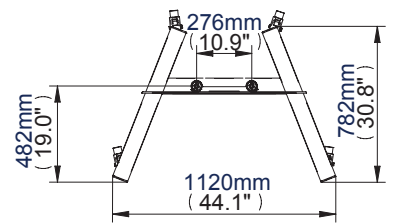
Front View With Castors



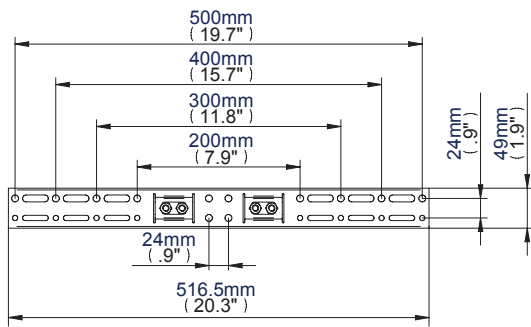
Side View With Castors



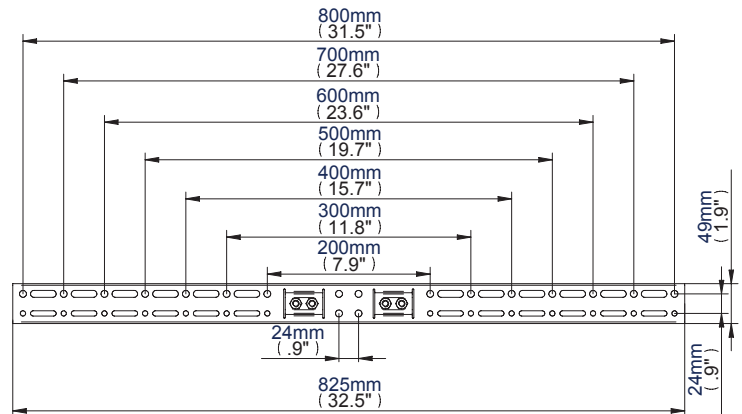
Side View With Levelling Feet



Trolley Base



Small Interface Arm



Large Interface Arm

Colour:	Order Ref:	EAN Code:	Master Carton Qty:	Inner Carton Qty:	Master Carton Weight:	Master Carton Cube:
Black	BT8503/B	Box 1: 10878724007875	0.5	0/0	16.45kg (36.19lbs)	2.64cbm (0.075cuft)
Black	BT8503/B	Box 2: 10878724007882	0.5	0/0	7.50kg (16.50lbs)	0.45cbm (0.013cuft)

**Please note: this product is packed into 2 boxes*

This information is intended as a guide only and reflects the current specification at the time of print.

B-Tech accepts no liability for the accuracy of the information contained in this document.