

FLAT SCREEN DISPLAY TROLLEY / STAND FOR SCREENS UP TO 75"

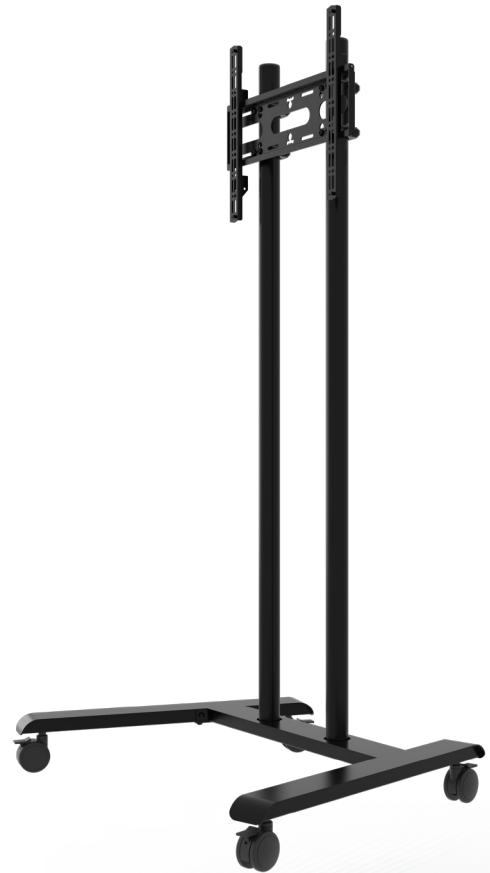
The **BT8504** is designed for large screens mounted in landscape or portrait style and is ideal for all professional applications. The simple hook-on installation makes fitting a display to the trolley quick and easy. The BT8504 mounts screens with fixing patterns up to 455 x 400mm as standard and also includes adaptor arms for larger screens with VESA fixings up to 600 x 400. Non-marking braked castors and optional adjustable levelling feet are included as a freestanding solution.

SPECIFICATIONS

Recommended screen size	up to 75"
Max load	70kg
VESA® fixings	up to 600 x 400 (with included adaptors)
Universal fixings up to	up to 455 x 400mm
Dimensions (with castors)	W: 1098mm H: 1854mm D: 740mm

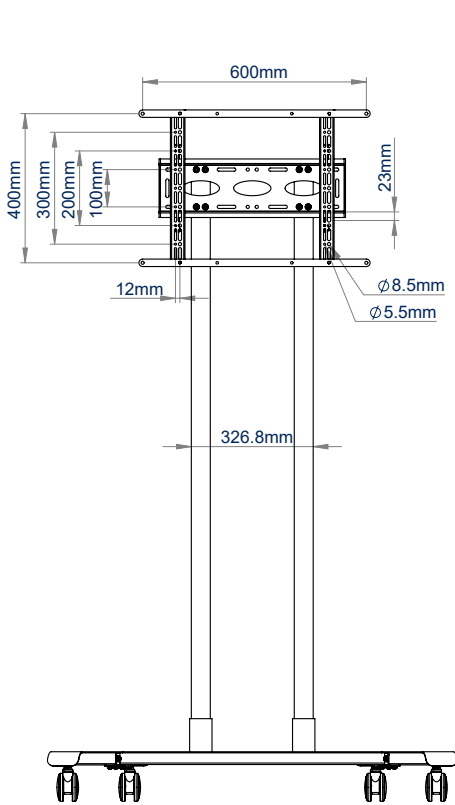
FEATURES

- 1 Mount screens in a landscape or portrait orientation
 - 2 Accessories can be fitted to the poles using Ø50mm accessory collars
 - 3 Includes non-marking 3" locking/braked castors & alternative levelling feet
 - 4 Integrated cable management for a neat and tidy installation
- Can mount screens in a landscape or portrait orientation
 - Simple 'hook-on' installation
 - All mounting hardware included

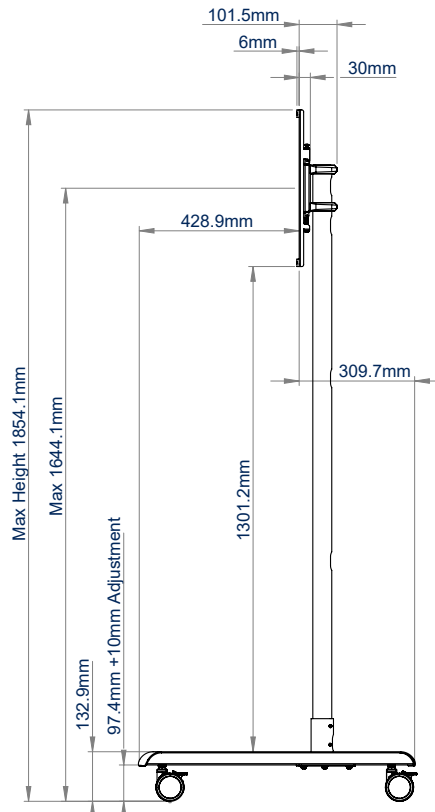


RECOMMENDED MAX SCREEN	MAX LOAD	MAX VESA	POST INSTALL ALIGNMENT	COLLAR COMPATIBLE	QR CODE
75" 190cm	70kg	600 x 400	← →		

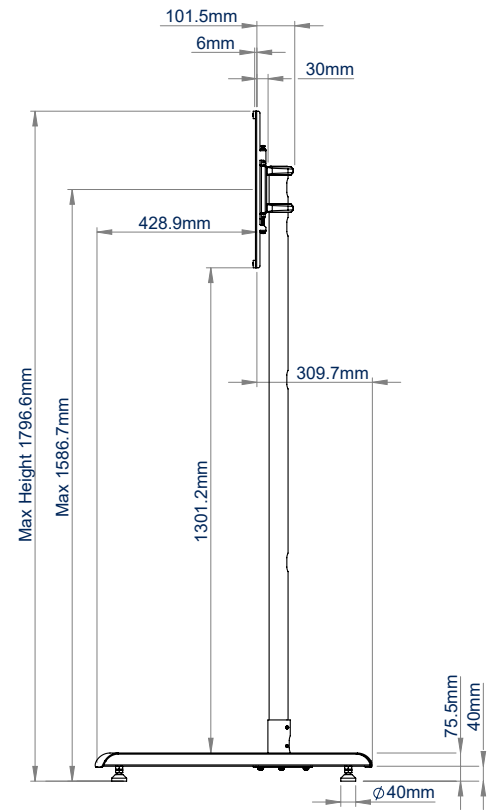




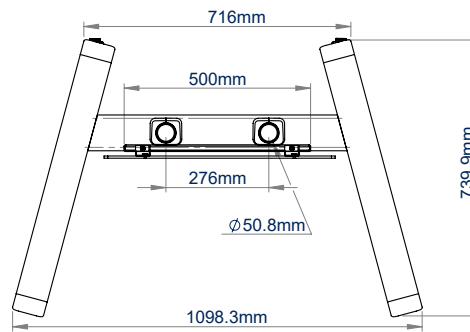
FRONT VIEW
WITH CASTORS



SIDE VIEW
WITH CASTORS



SIDE VIEW
WITH LEVELLING FEET



TOP VIEW

ORDERING INFORMATION

COLOUR	ORDER REF	EAN
Black	BT8504/B	5019318085413

RELATED PRODUCTS

PRODUCT CODE	NAME	DESCRIPTION
BT7841	Ø50mm Accessory Collar	Allows a wide range of mounts and accessories to be fitted to the BT8504
BT7031	Adjustable Accessory Mounting Arm	Mount AV accessories above or below the screen of the BT8504
BT8503	Flat Screen Display Trolley / Stand	Mobile mounting solution ideal for screens up to 60"
BT8506	XL Flat Screen Display Trolley	Mobile mounting solution ideal for screens up to 120"

© 2015 B Tech AV Mounts Co. Ltd. All rights reserved.
The information in this specification sheet reflects the current technical specifications at the time of printing.
We reserve the right to change the technical or physical specifications without prior notice. The B Tech name and the B Tech logo are registered trademarks of B Tech AV Mounts Co. Ltd.
B Tech is not responsible for any loss or damage caused by improper installation or mounting on unstable structures. Any reproduction or use of information or specification of any part of this specification sheet is strictly prohibited unless prior written permission has been granted by B Tech AV Mounts Co. Ltd. 1025