



FOR TWO  
 SCREENS  
 UP TO 55"

# BT85 12

## TWIN SCREEN VC DISPLAY TROLLEY

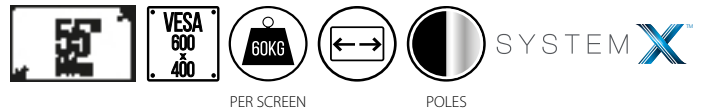
The BT8512 is the ideal mobile video conferencing solution for twin screens up to 55". The trolley is supplied with a shelf for VC cameras which gives the user the flexibility to mount their camera either above or below the screens and integrated cable management keeps finished installations neat and tidy. Non-marking braked castors allow the trolley to be relocated easily and safely without marking floor surfaces and optional screw-in levelling feet are also included for freestanding applications if mobility is not required.

### SPECIFICATION

Recommended screen size	47" to 55"
Max load	60kg (per screen)
VESA® and non-VESA fixings	up to 400 x 400mm
Dimensions	W:1754mm H:1680mm D:810mm
Colour option (Ø60mm poles)	Black or Chrome

### FEATURES

- Universal design suitable for mounting two medium / large sized screens side-by-side
- High-end aesthetic quality
- Includes VC shelf which can be fixed above or below the screens
- Features non-marking 4" locking/braked castors
- Also supplied with adjustable levelling feet
- Arms feature levelling screws to adjust the screen height
- Accessories such as shelves can be fitted to the poles using Ø60mm collars
- Integrated cable management for a neat and tidy installation
- Safety screws help prevent unauthorised screen removal
- Simple 'hook-on' screen installation



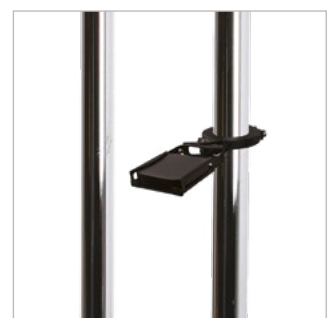
Simple 'hook-on' installation



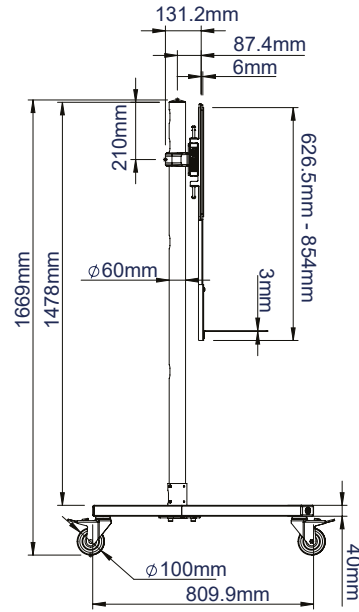
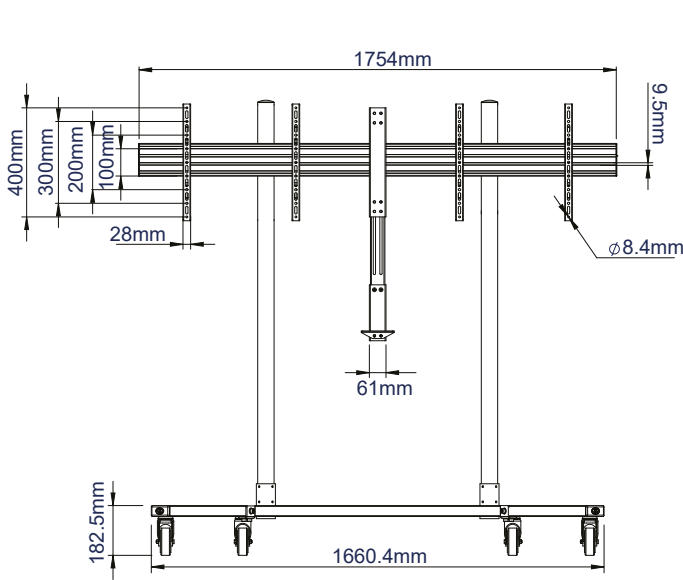
VC shelf can mount camera above or below the screens



Includes non-marking 4" locking/braked castors

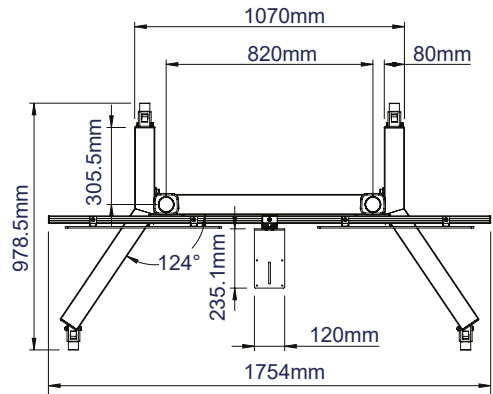
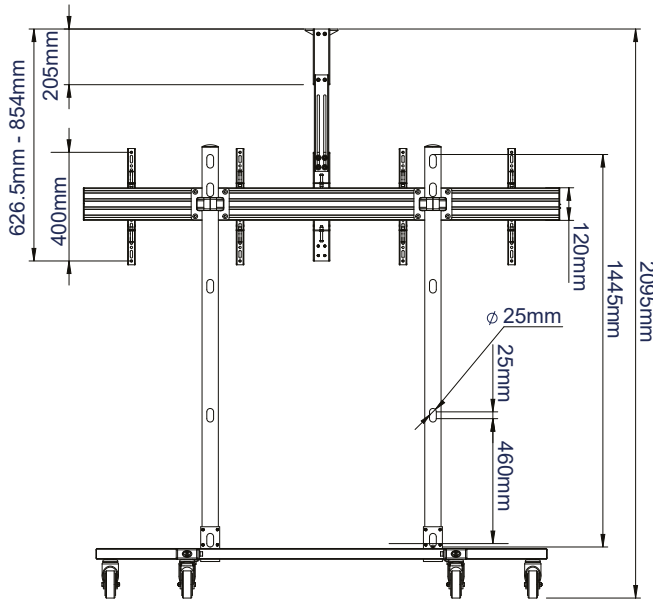


Collar compatible accessories can be fitted to the poles



FRONT VIEW

SIDE VIEW



REAR VIEW

TOP VIEW

**PACKING INFORMATION**

PLEASE NOTE, THIS IS A 3 BOX ITEM.

COLOUR:	ORDER REF:	EAN CODE:	CARTON QTY:	CARTON WEIGHT:	CARTON CUBE:
Black Base & Black Poles	BT8512/BB	5019318087394	3	12kg / 16kg / 14kg	0.05cbm / 0.04cbm / 0.07cbm
Black Base & Chrome Poles	BT8512/BC	5019318501821	3	12kg / 16kg / 14kg	0.05cbm / 0.04cbm / 0.07cbm

**ACCESSORIES AND RELATED PRODUCTS**

**BT7032**



Large AV Accessory Shelf is ideal for adding AV accessories such as a Blu-Ray player or laptop to an installation

**BT7865**



Keyboard and Mouse Shelf can be mounted directly to the poles

**BT7880**



Apple TV Mount allows you to mount the latest Apple TV to your VC stand

**BT8513**



Twin Screen VC Trolley with Webcam Shelf for screens from 56" up to 65"

© 2016 B-Tech Av Mounts. All rights reserved. This information is for informational purposes only and does not constitute an offer of any product. B-Tech Av Mounts is not responsible for any damage caused by improper installation or use. All dimensions are in millimeters unless otherwise specified. B-Tech Av Mounts is not responsible for any damage caused by improper installation or use. All dimensions are in millimeters unless otherwise specified. B-Tech Av Mounts is not responsible for any damage caused by improper installation or use. All dimensions are in millimeters unless otherwise specified.