

# BT8517

## XL TWIN SCREEN VC TROLLEY FOR SCREENS UP TO 75"

The BT8517 is a premium mobile mounting solution designed to mount two screens side by side, ideal for video conferencing applications. Non-marking braked castors allow the trolley to be relocated easily and safely without marking floor surfaces and the integrated cable management hides cables for a smart installation in any environment. Interface arms feature level adjustment screws to help align the screens height.

### SPECIFICATIONS

|                         |   |
|-------------------------|---|
| Recommended screen size | <b>65" - 75"</b>                                    |
| Max load                | <b>100kg</b> per screen                             |
| Fixing Patterns         | up to <b>600 x 800</b>                              |
| Trolley Dimensions      | W: <b>2450mm</b> H: <b>1998.5mm</b> D: <b>950mm</b> |
| VC Shelf Dimensions     | W: <b>120mm</b> H: <b>3mm</b> D: <b>235mm</b>       |
| Colour                  | <b>Black</b>  |

### FEATURES

- 1 Design suitable for mounting two 75" screens side by side
  - 2 Adjustable mounting arm can mount the camera shelf above or below the screens
  - 3 Integrated cable management for a smart installation
  - 4 Lockable non-marking 4" castors
- Interface arms include levelling screws to adjust the screen height
  - VC shelf fits most cameras with 1/4" thread with 100 x 100mm fixing points
  - Safety screws prevent unauthorised screen removal
  - Alternative levelling feet also included
  - Simple 'hook-on' screen installation

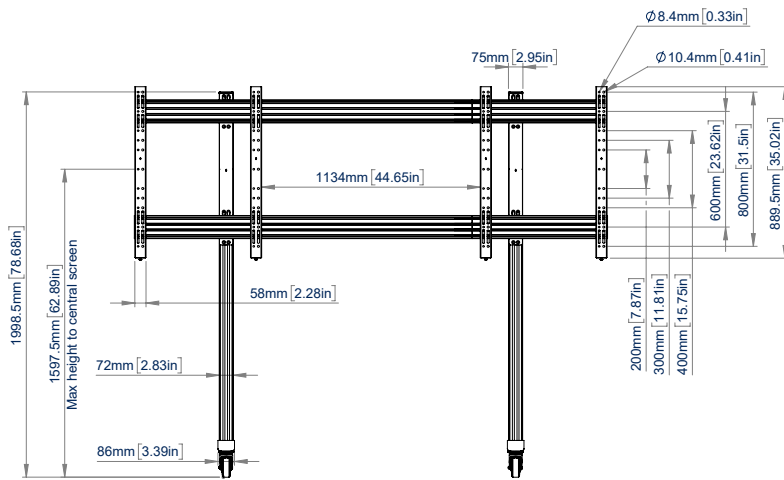


SYSTEM

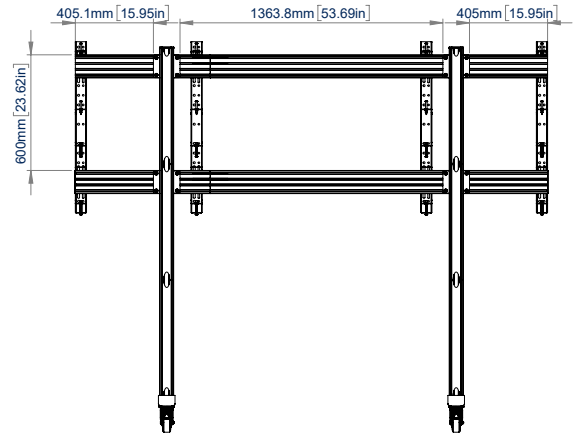
|                           |                     |             |                           |  |
|---------------------------|---------------------|-------------|---------------------------|--|
| RECOMMENDED<br>MAX SCREEN | MAX<br>LOAD         | MAX<br>VESA | POST INSTALL<br>ALIGNMENT |  |
| 75"<br>190cm              | 100kg<br>per screen | 800         |                           |  |



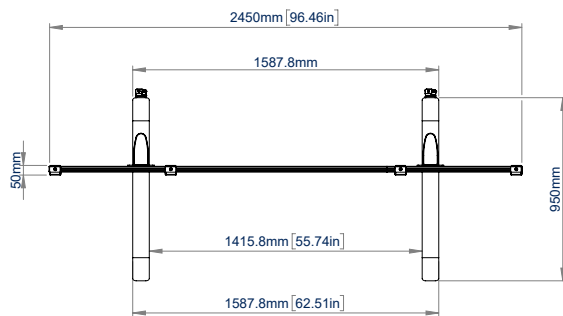
# BT8517



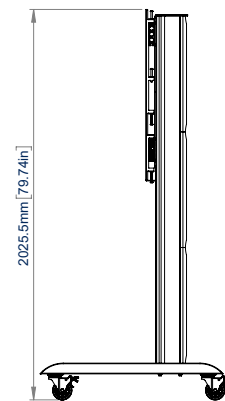
FRONT VIEW



REAR VIEW



TOP VIEW



SIDE VIEW

## ORDERING INFORMATION

| COLOUR | ORDER REF | EAN           |
|--------|-----------|---------------|
| Black  | BT8517/B  | 5019318307157 |

## RELATED PRODUCTS

| PRODUCT CODE | NAME                                  | DESCRIPTION   |
|--------------|---------------------------------------|---|
| BT7874       | Mounting Plate for Logitech Videobars | Compatible with the included mounting arm           |
| BT8416       | Twin Screen VC Wall Mount             | Designed for screens up to 65" and 70kg per screen  |
| BT8516       | Twin Screen VC Trolley                | Designed for screens up to 65" and 70kg per screen  |
| BT8518       | XXL Twin Screen VC Trolley            | Designed for screens up to 86" and 100kg per screen |

© 2023 B-Tech. All rights reserved. B-Tech, the B-Tech logo and the B-Tech name are registered trademarks of B-Tech International Design & Manufacturing Limited. The information in this specification sheet reflects the current technical specifications at the time of printing. We reserve the right to change the technical or physical specifications without prior notice. The B-Tech name and logo are registered trademarks of B-Tech International Design & Manufacturing Limited. B-Tech is not responsible for any loss or damage caused by improper installation or mounting on unsuitable structures. Any reproduction or use without the prior written permission of B-Tech International Design & Manufacturing Limited. Code: SS-V2-BT8517-120924