

BT8541

LOW LEVEL FLAT SCREEN STAND

Designed to mount screens and interactive displays at a low level, the BT8541 features an incremented tilt adjustment up to 90° for the perfect viewing angle, making it ideal for information points in art exhibits and museums or for on stage auto cue screens. The ultra low profile base offers a sleek unobtrusive design for discreet and stylish installation.

SPECIFICATIONS

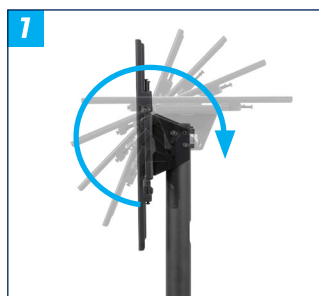
Recommended screen size	39" - 65"
Max load	154lbs
VESA® compatibility	600 x 400
Tilt adjustment	0°, 22.5°, 45°, 67.5° and 90°
Dimensions	W : 31.5" D : 23.6" H : 37.4"

FEATURES

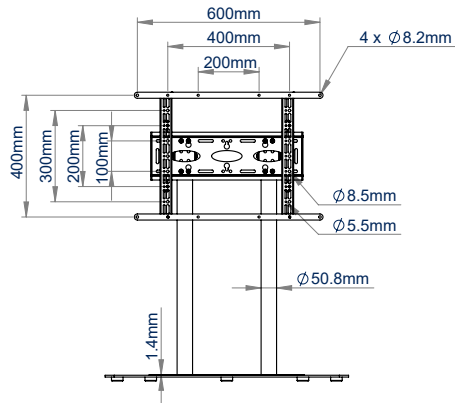
- 1 Features tilt adjustment in incremented positions
 - 2 The dual 0.03" Ø2" poles offer cable management solutions
 - 3 Grab handles provide easy handling and stand placement
 - 4 Security screws helps secure screen to stand and unauthorized removal
- Suitable to mount screens and interactive displays at a low level
 - Ideal for creating information points in retail applications or museum exhibits
 - Other height options can be requested to accommodate the install
 - Simple 'hook-on' installation
 - All mounting hardware supplied



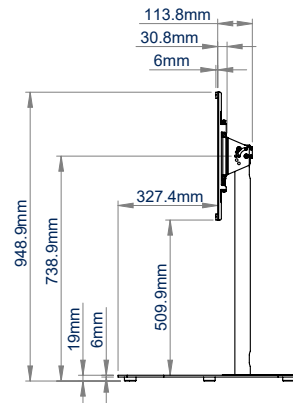
RECOMMENDED MAX SCREEN	MAX LOAD	MAX VESA	POST INSTALL ALIGNMENT	TILT	QR CODE
65" 165cm	154lbs	600 x 400			



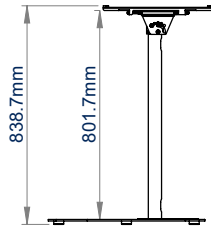
BT8541



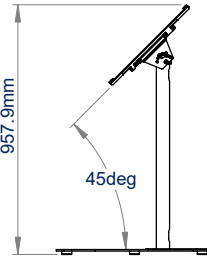
FRONT VIEW



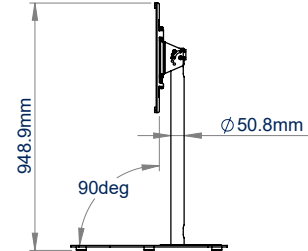
SIDE VIEW



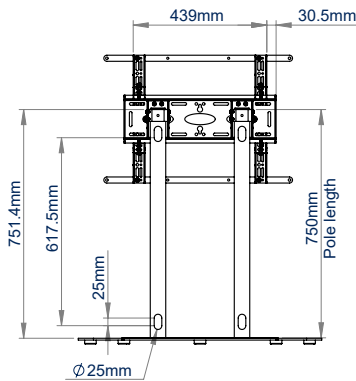
0° TILT



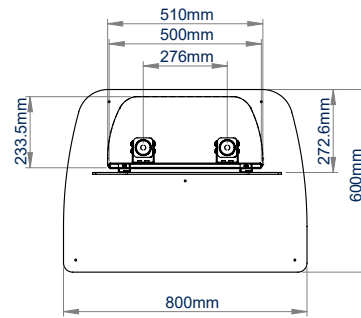
45° TILT



90° TILT



REAR VIEW



STAND BASE

ORDERING INFORMATION

COLOR	ORDER REF	BARCODE
Black	BT8541/B	5019318089367

RELATED PRODUCTS

PRODUCT CODE	NAME	DESCRIPTION
BT7032	Large AV Accessory Shelf	Designed to add AV accessories to an installation / wall
BT7052	Ø2" Accessory Collar	Designed for fixing mounts and accessories to Ø2" poles
BT8540	Low Level Flat Screen Display Trolley	Designed for screens up to 65" with tilt adjustment of 90°
BTF841	Flat Screen Display Cart / Stand	Designed for screens up to 70" and 154lbs

© 2018 B-Tech AV Mounts Corporation Ltd. All rights reserved.
 The information in this specification sheet reflects the current technical specifications at the time of printing.
 We reserve the right to change the technical or physical specifications without prior notice. The B-Tech name and the B-Tech logo are registered trademarks of B-Tech AV Mounts Corporation Ltd.
 B-Tech is not responsible for any loss or damage caused by improper installation or mounting on unstable structures. Any reproduction or use without permission or registration of any part of this specification sheet is strictly prohibited unless prior written permission is granted by B-Tech AV Mounts Corporation Ltd. B-Tech.

SS-V2-BT8541-020725