

## FLAT SCREEN TROLLEY WITH FLIP ROTATION FOR SAMSUNG FLIP

Part of **B-Tech's Momentum Range** of mobile display solutions, the **BT8547** Momentum Flip is a modern, user-friendly touchscreen trolley designed specifically for mounting Samsung Flip displays from 55" to 65", delivering seamless flexibility for classrooms, meeting rooms and collaborative workspaces. A smooth 90° rotational interface allows effortless switching between portrait and landscape orientations, while two manual preset height positions provide adaptable viewing, and the sleek white finish perfectly complements the Samsung Flip for a clean, professional aesthetic. Featuring ergonomic handles and 100mm braked castors for easy manoeuvrability and a cable management system for a tidy installation, this mobile solution has been designed for a rapid install that enables assembly in under 10 minutes. The BT8547 offers a practical, stylish and highly adaptable display mount for dynamic presentation environments.



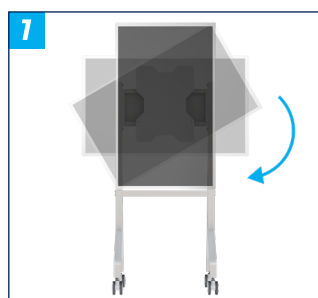
### SPECIFICATIONS

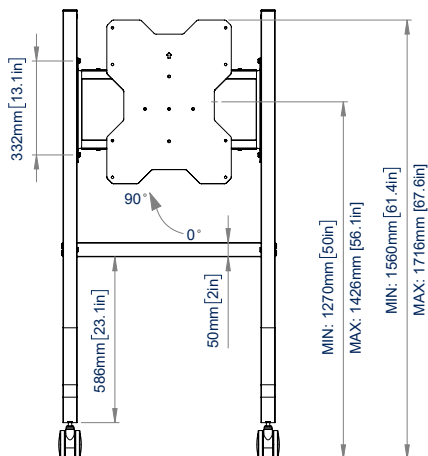
Recommended screen size	<b>55" up to 65"</b>
Max load	<b>50kg</b>
VESA® fixings	<b>400 x 400</b>
Tilt	<b>4.5°</b>
Rotation	<b>90°</b>
Adjustable height (centre of screen)	<b>1270mm / 1426mm</b>
Dimensions	<b>W: 748mm H: 1596mm D: 660mm</b>
Colour	<b>White</b>

### FEATURES

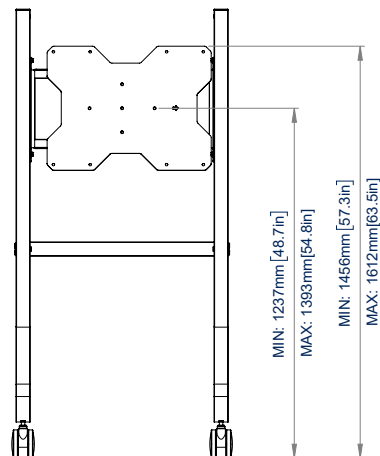
- 1** Interface smoothly rotates from landscape to portrait (and vice versa)
  - 2** Designed for easy movement with integrated handles
  - 3** Equipped with large Ø100mm non-marking locking (braked) castors
  - 4** Internal cable management system
- Allows installation at two selectable screen heights
  - -4.5° negative tilt provides an ergonomic, natural writing surface
  - Simple 'hook-on' screen installation with all mounting hardware included

RECOMMENDED MAX SCREEN	MAX LOAD	MAX VESA	TILT	ROTATION	HEIGHT ADJUSTMENT	QR CODE
65" 165cm	50kg	400 x 400	4.5°	90°	↑ ↓	

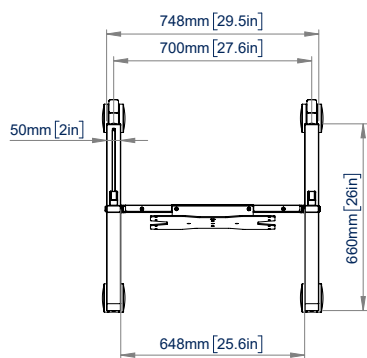




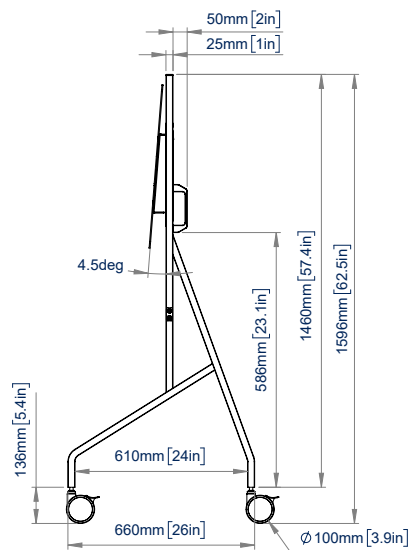
**FRONT VIEW**  
PORTRAIT ORIENTATION



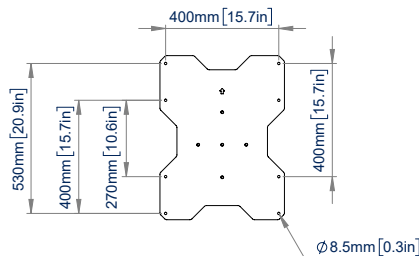
**FRONT VIEW**  
LANDSCAPE ORIENTATION



**TOP VIEW**



**SIDE VIEW**



**MOUNTING PLATE**

**ORDERING INFORMATION**

COLOUR	ORDER REF	EAN
White	BT8547/W	5019318310614

**RELATED PRODUCTS**

PRODUCT CODE	NAME	DESCRIPTION
BT8545	Interactive Touchscreen Trolley	Designed to mount interactive displays up to 86" and 100kg
BT8508	System X Touchscreen XL Trolley	Designed to mount XL interactive displays up to 120" and 200kg
BT7550	Rotational Flip Mount	For screens up to 37" to 65" including Samsung's Flip and Flip 2
BT8568	Motorised Height Adjustable Trolley	Designed to mount screens up to 86" and 100kg

© 2024 B Tech AV Mounts Corporation Ltd. All rights reserved.  
The information in this specification sheet reflects the current technical specifications at the time of printing.  
We reserve the right to change the technical or physical specifications without prior notice. The B Tech name and the B Tech logo are registered trademarks of B Tech AV Mounts Corporation Ltd.  
B Tech is not responsible for any loss or damage caused by improper installation or mounting on unsuitable structures. Any reproduction or use without permission is prohibited.  
Specification sheet is strictly for reference. Contact your sales representative for more information or to request a copy of this document.

SS-V1-BT8547-040326