

MOTORISED TWIN SCREEN VC CART

Part of **B-Tech's Momentum Range** of mobile display solutions, the **BT8554** Momentum E-Lift Duo is a motorized, height-adjustable cart designed for twin displays up to 46" each. Its electronic height adjustment system allows for effortless raising and lowering of the screens via a wired control panel, with an adjustment range of up to 650mm that makes the display accessible to a variety of users. Capable of mounting dual screens up to 55lbs and featuring a sleek and modern design aesthetic, quick assembly and ease of use. An integrated storage unit at the rear provides convenient space for cable management and AV equipment, making the complete AV setup both neat and practical.

SPECIFICATIONS

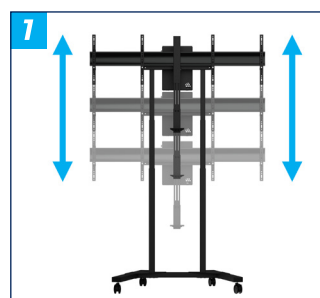
Recommended screen size	39" up to 46" per screen
Max load	55lbs per screen
VESA® & non-VESA fixings	up to 15.7" x 15.7"
Dimensions (Cart)	H: 51" - 76.9" W: 59" D: 32.8"
Dimensions (Inner Storage Box)	H: 14.8" W: 10" D: 3.7"
Dimensions (VC Shelf)	H: 0.1" W: 4.7" D: 9.3"
Height adjustment range	up to 25.6"
Height adjustment speed	1.4" per second

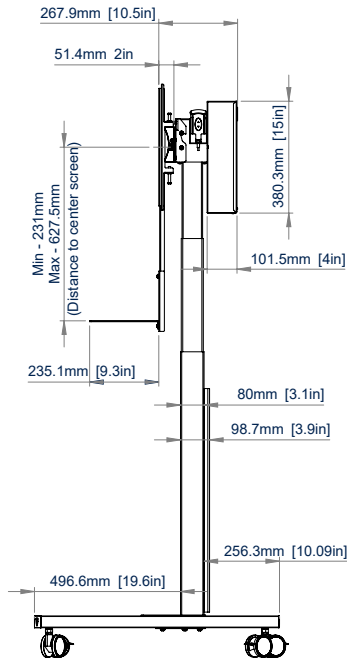
FEATURES

- 1 Motorized height-adjustment for precise screen positioning
 - 2 Supplied with a wired control console for easy height adjustment
 - 3 Non-marking locking / braked casters included
 - 4 Storage compartment on the rear stores cables and AV equipment
- Universal design suitable for mounting two screens side by side
 - VC shelf for cameras with 1/4" thread and 3.9" x 3.9" fixing points
 - Auto-stop; prevents screen from movement when resistance is felt
 - Leveling screws for simple post-install alignment
 - Safety screws help prevent unauthorized removal of the screen
 - Simple hook-on screen installation
 - All mounting hardware included

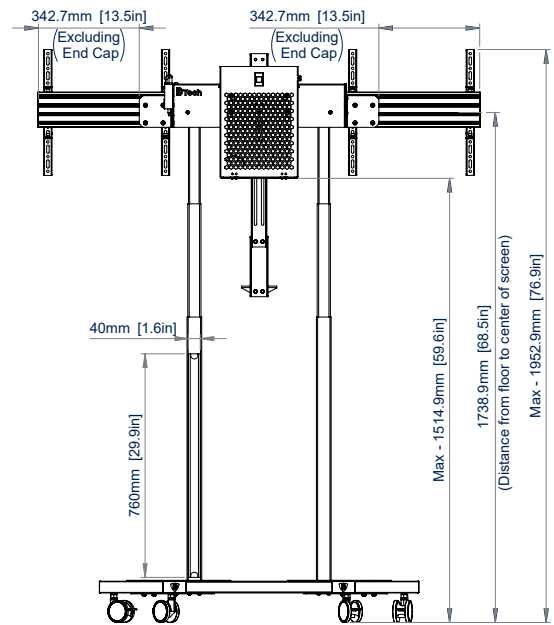


RECOMMENDED MAX SCREEN	MAX LOAD	MAX VESA	POST INSTALL ALIGNMENT	HEIGHT ADJUSTMENT	CE APPROVED	UK CONFORMITY ASSESSED	QR CODE
46" 117cm	55lbs per screen	15.7" x 15.7"					

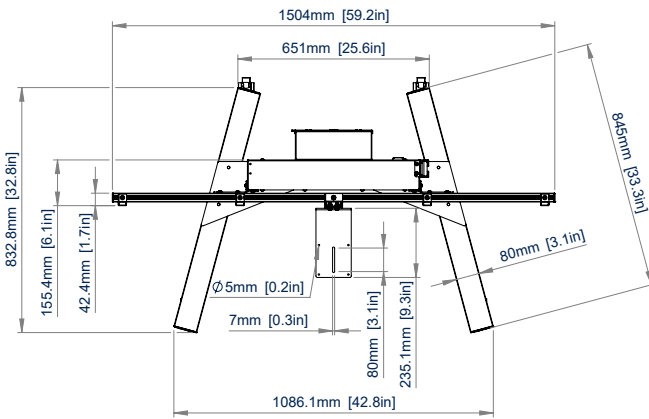




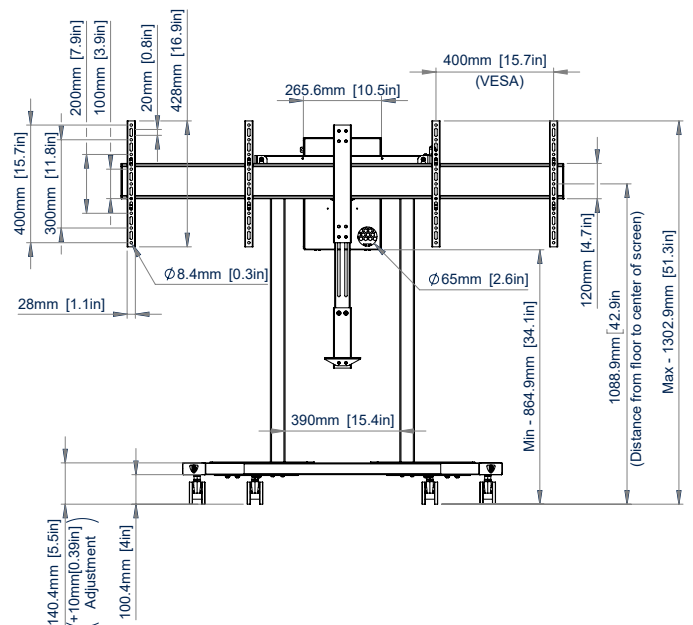
SIDE VIEW



REAR VIEW
HIGHEST POSITION



TOP VIEW



FRONT VIEW
LOWEST POSITION

ORDERING INFORMATION

COLOR	ORDER REF	BARCODE
Black	BT8554/B	5019318309748

RELATED PRODUCTS

PRODUCT CODE	NAME	DESCRIPTION
BT8556	Momentum E-Lift Duo XL	Motorised Height Adjustable Twin Screen VC Cart for Screens up to 65"
BT8555	Momentum Elevate Duo	Motorised Height Adjustable Twin Screen Floor-to-Wall Stand for Screens up to 46"
BT8557	Momentum Elevate Duo XL	Motorised Height Adjustable Twin Screen Floor-to-Wall Stand for Screens up to 65"
BT8568	Motorised Height Adjustable Cart	Motorised Height Adjustable Cart for a Single Screen up to 86"

© 2021 B-Tech AV Mounts Corporation Ltd. All rights reserved. The information in this technical drawing is subject to change without notice. B-Tech, the B-Tech logo and the Momentum logo are registered trademarks of B-Tech AV Mounts Corporation Ltd. B-Tech accepts no liability for loss or damage caused by improper installation or mounting on unstable structure. Any reproduction or translation of any part of this specification sheet is strictly prohibited unless prior written permission has been granted by B-Tech AV Mounts Corporation Ltd. B&C
SS-V1-BT8554-270625-NA