

MOTORIZED TWIN SCREEN VC FLOOR-TO-WALL STAND

Part of **B-Tech's Momentum Range** of display solutions, the **BT8555** is a motorized, height-adjustable Floor-to-Wall Stand designed for twin displays up to 46" each. It's electronic height adjustment system allows for effortless raising and lowering of the screens via a wired control panel, with an adjustment range of up to 25.6" that makes the display accessible to a variety of users. Capable of mounting dual screens up to 66lbs and featuring a sleek and modern design aesthetic, quick assembly and ease of use. An integrated storage unit at the rear provides convenient space for cable management and AV equipment, making the complete AV setup both neat and practical.

SPECIFICATIONS

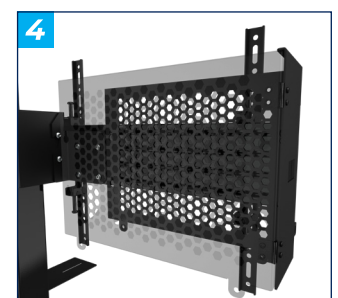
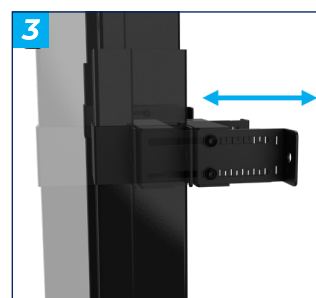
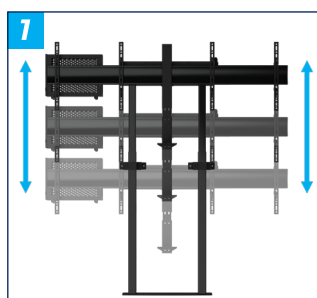
Recommended screen size	39" up to 46" per screen
Max load	66lbs per screen
VESA® & non-VESA fixings	up to 400 x 400
Dimensions	H: 51.6" - 77.2" W: 59.2" D: 8.9" - 10.8"
Dimensions (Inner Storage Box)	H: 13.9" W: 10" D: 4"
Dimensions (VC Shelf)	H: 0.1" W: 4.7" D: 9.3"
Height adjustment range	up to 25.6"
Height adjustment speed	1.4" per second
Depth adjustment	+/- 0.98"

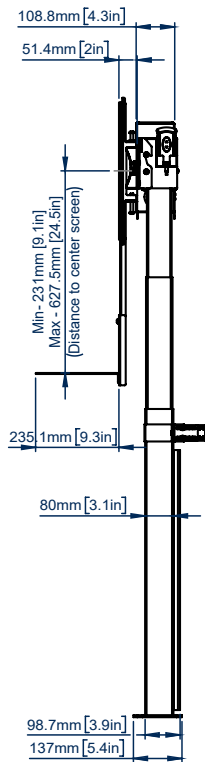
FEATURES

- 1** Motorized height-adjustment for precise screen positioning
 - 2** Supplied with a wired control console for easy height adjustment
 - 3** Adjustable depth to the wall
 - 4** Storage compartment on the rear stores cables and AV equipment
- Universal design suitable for mounting two screens side by side
 - Ideal for use with touchscreens and interactive displays
 - Includes VC shelf which can be fixed above or below the screen
 - VC shelf fits most cameras with 1/4" thread with 3.9" x 3.9" fixing points
 - Safety screws help prevent unauthorised removal of the screens
 - Simple 'hook-on' screen installation with all mounting hardware included

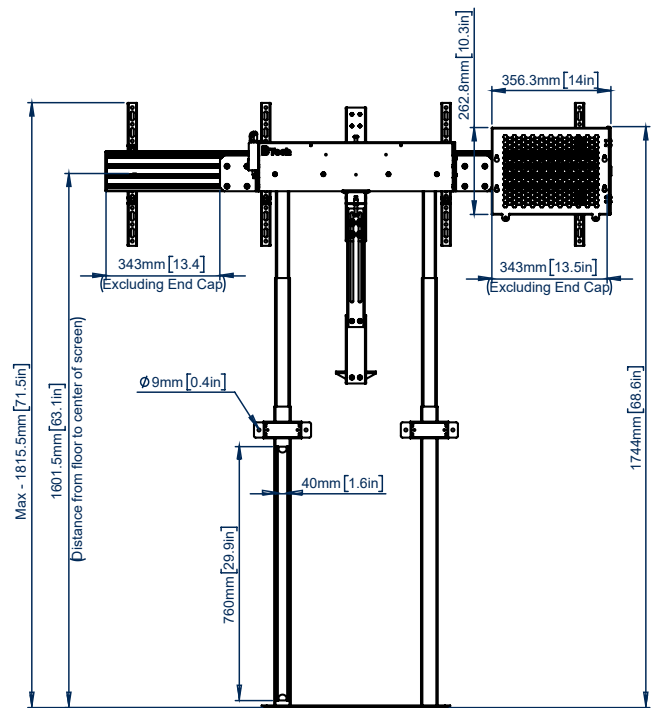


RECOMMENDED MAX SCREEN	MAX LOAD	MAX VESA	POST INSTALL ALIGNMENT	HEIGHT ADJUSTMENT	CE APPROVED	UK CONFORMITY ASSESSED	QR CODE
46" 117cm	66lbs per screen	400 x 400	← →	↑ ↓	CE	UK CA	

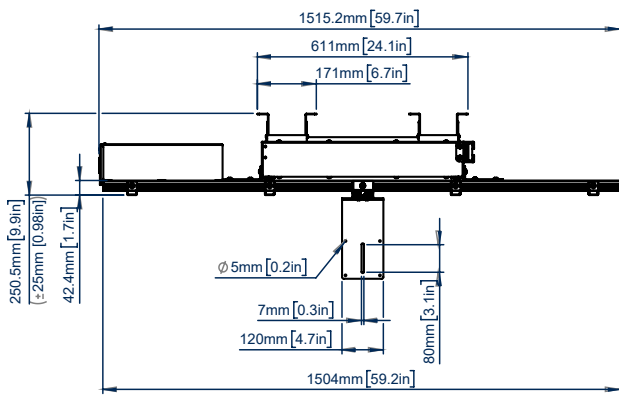




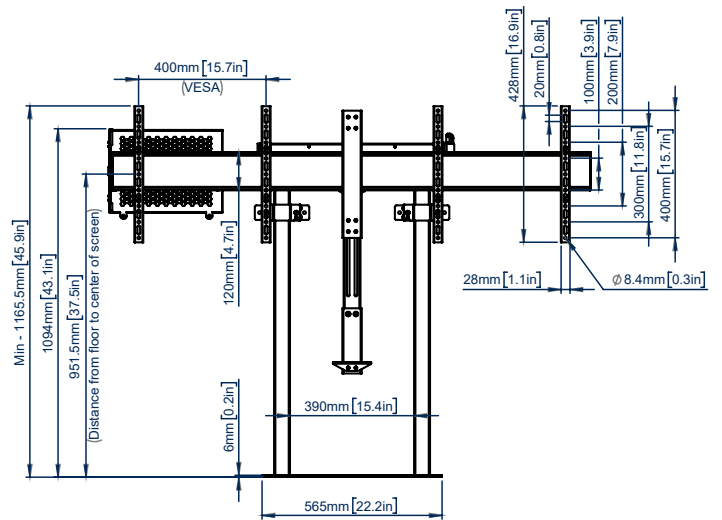
SIDE VIEW



REAR VIEW
HIGHEST POSITION



TOP VIEW



FRONT VIEW
LOWEST POSITION

ORDERING INFORMATION

COLOR	ORDER REF	BARCODE
Black	BT8555/B	5019318309755

RELATED PRODUCTS

PRODUCT CODE	NAME	DESCRIPTION
BT8557	Momentum Elevate Duo XL	Motorised Height Adjustable Twin Screen Floor-to-Wall Stand for Screens up to 65"
BT8554	Momentum E-Lift Duo	Motorised Height Adjustable Twin Screen VC Cart for Screens up to 46"
BT8556	Momentum E-Lift Duo XL	Motorised Height Adjustable Twin Screen VC Cart for Screens up to 65"
BT8568	Motorised Height Adjustable Cart	Motorised Height Adjustable Trolley for a Single Screen up to 86"

© 2021 B Tech AV Mounts Corporation Ltd. All rights reserved.
The information in this technical drawing is subject to change without notice. B Tech AV Mounts Corporation Ltd. reserves the right to change technical or physical specifications without prior notice. The B Tech name and the B Tech logo are registered trademarks of B Tech AV Mounts Corporation Ltd. Any reproduction or use of the B Tech name or logo without the prior written permission of B Tech AV Mounts Corporation Ltd. is strictly prohibited. Any reproduction or use of the B Tech logo without the prior written permission of B Tech AV Mounts Corporation Ltd. is strictly prohibited.

SS-V1-BT8555-270625-NA