

# BT8570

## SINGLE POLE FLOOR STAND FOR SMALL FLAT SCREENS

BT8570 is a stylish display stand designed for use with a small flat screen. The base features non-marking rubber feet, grab handles for easy handling, and a cover plate to hide the handles. Suitable for screens with VESA 50, 75 or 100 fixings, the screen can be easily mounted at any height on the 1.6 metre pole. Accessories such as shelves can also be added using a Ø50mm collar.

### SPECIFICATIONS

Recommended screen size	up to <b>28"</b>
Max load	<b>8kg</b>
VESA® compatibility	up to <b>100 x 100</b>
Dimensions	W : <b>580mm</b> x D : <b>400mm</b> x H : <b>1626.5mm</b>

### FEATURES

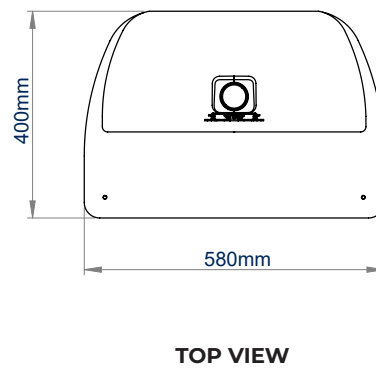
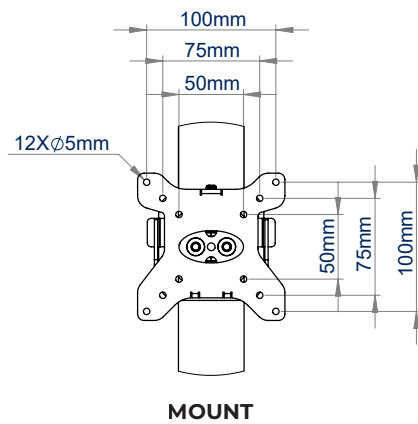
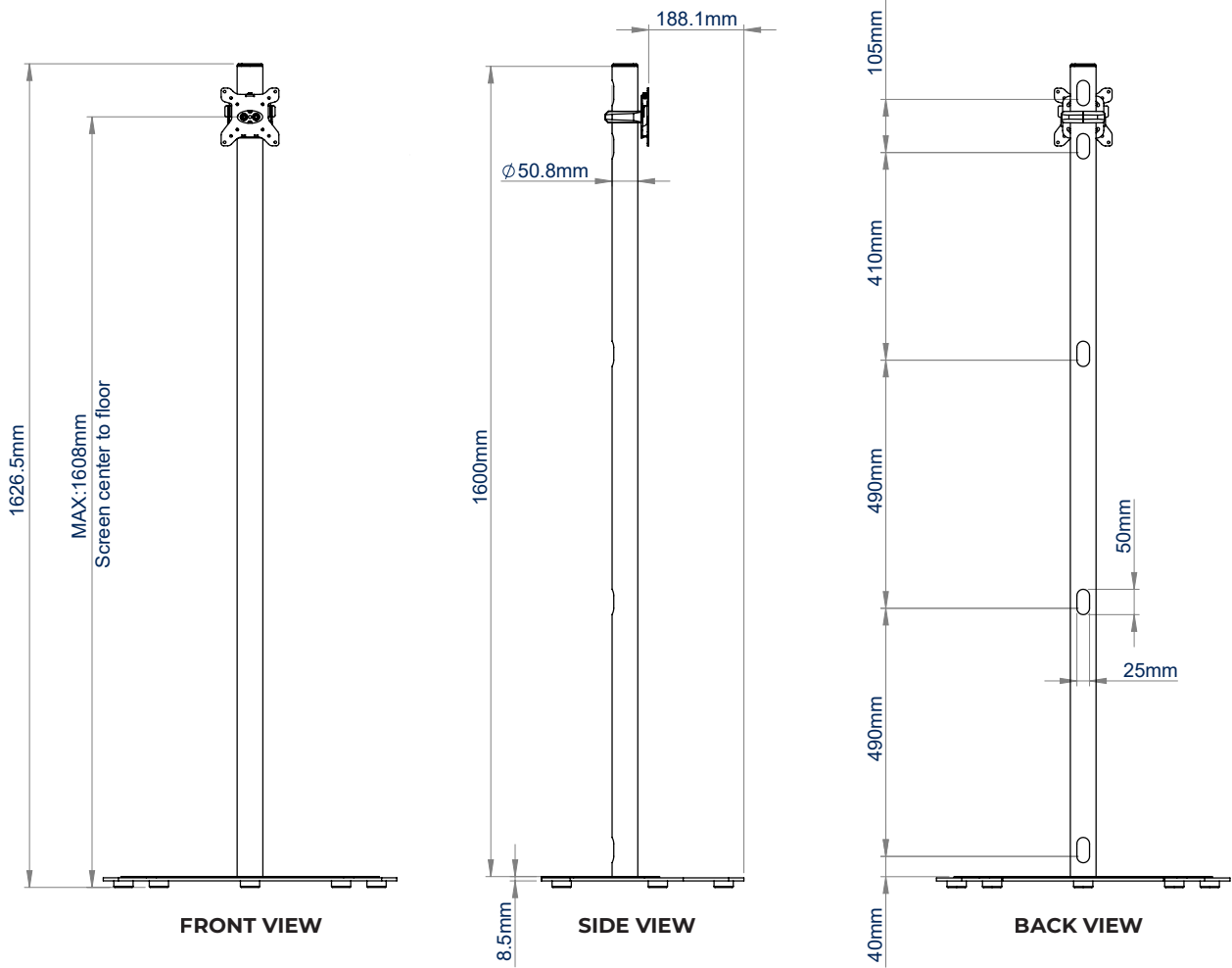
- 1 Supplied with non-marking rubber feet for increased stability
  - 2 Integrated cable management for tidy install
  - 3 Small flat screen interface suitable for screens with VESA fixings up to 100 x 100
  - 4 Includes cover plate to hide grab handles once installed
- Suitable to mount screens in a landscape or portrait orientation
  - Heavy duty 6mm thick steel construction
  - Shelves and other accessories can be fitted to the poles using Ø50mm accessory collars
  - Simple 'hook-on' installation
  - All mounting hardware



RECOMMENDED MAX SCREEN	MAX LOAD	MAX VESA	QR CODE
28" 71cm	8kg	100	



# BT8570



## ORDERING INFORMATION

COLOUR	ORDER REF	EAN
Black	BT8570/B	5019318305795

## RELATED PRODUCTS

PRODUCT CODE	NAME	DESCRIPTION
BT7052	Ø50mm Collar	Designed to attach AV accessories and shelves to poles
BT7033	300 x 300mm AV Accessory Shelf	Designed for mounting to a wall or across a wide range of B-Tech products
BT8571	Floor Stand	Designed for small to medium flat screens up to 47" / 25kg
BT8572	Floor Stand	Designed for medium to large flat screens up to 55" / 40kg

© 2018 B-Tech AV Mounts Corporation Ltd. All rights reserved.  
 The information this specification sheet reflects the current technical specifications as of the time of printing.  
 We reserve the right to change the technical or physical specifications without prior notice. This B-Tech name and the B-Tech logo are registered trademarks of B-Tech AV Mounts Corporation Ltd.  
 B-Tech is not responsible for any loss or damage caused by improper installation or mounting on unstable structures. Any reproduction or reuse of information or any part of this specification sheet is strictly prohibited unless prior written permission is granted by B-Tech AV Mounts Corporation Ltd. B-Tech.

SS-V2-BT8570-090924