

BT8570

SINGLE POLE FLOOR STAND FOR SMALL FLAT SCREENS

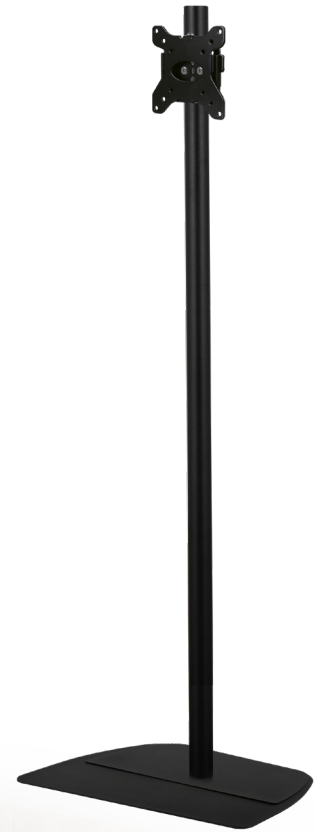
BT8570 is a stylish display stand designed for use with a small flat screen. The base features non-marking rubber feet, grab handles for easy handling, and a cover plate to hide the handles. Suitable for screens with VESA 50, 75 or 100 fixings, the screen can be easily mounted at any height on the 1.6 metre pole. Accessories such as shelves can also be added using a Ø2" collar.


SPECIFICATIONS

Recommended screen size	up to 28"
Max load	18lbs
VESA® compatibility	up to 100 x 100
Dimensions	W : 22.8" x D : 15.7" x H : 64"

FEATURES

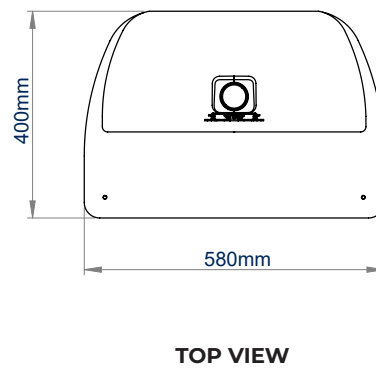
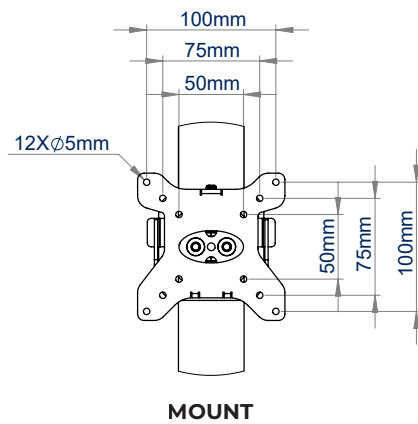
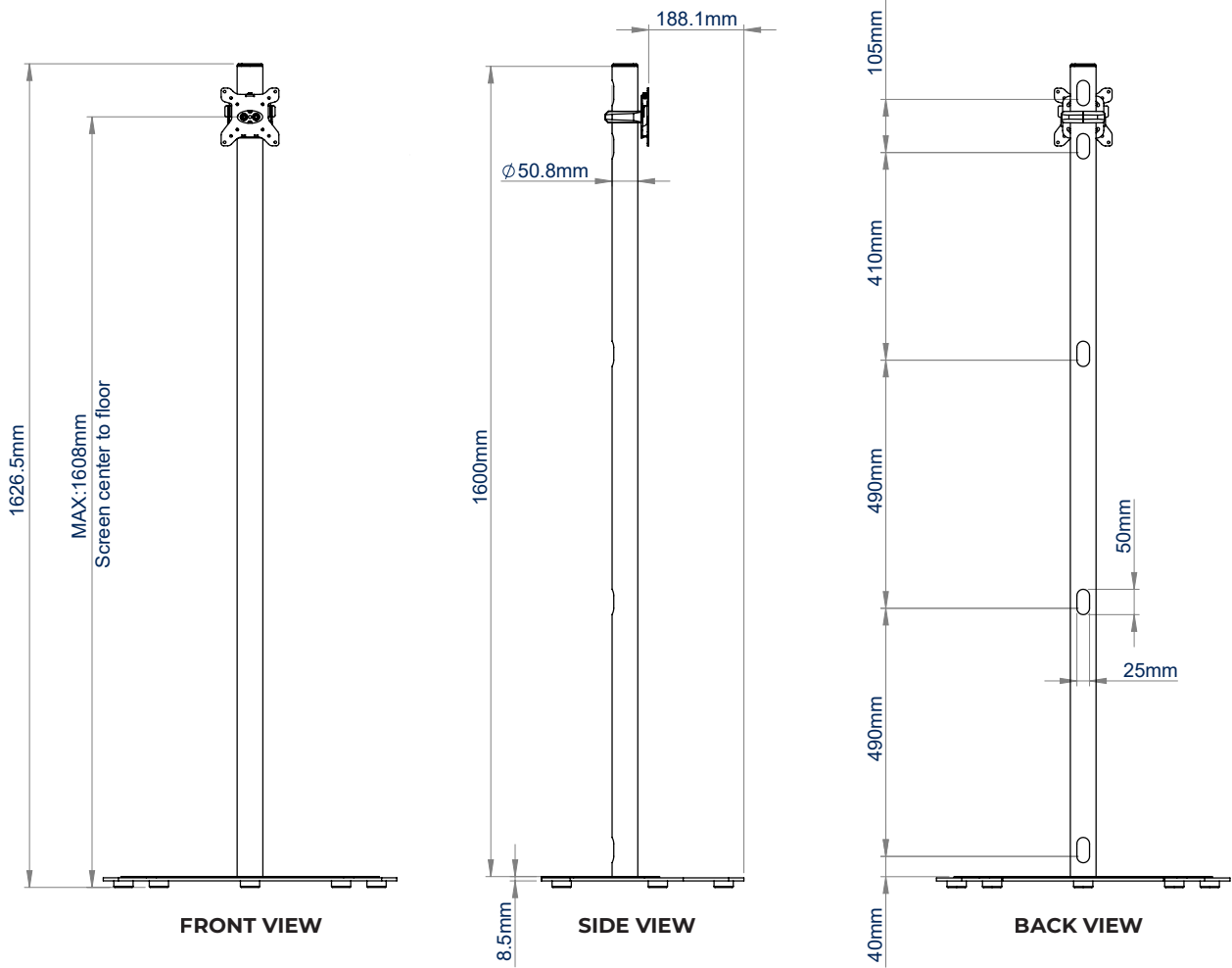
- 1 Supplied with non-marking rubber feet for increased stability
 - 2 Integrated cable management for tidy install
 - 3 Small flat screen interface suitable for screens with VESA fixings up to 100 x 100
 - 4 Includes cover plate to hide grab handles once installed
- Suitable to mount screens in a landscape or portrait orientation
 - Heavy duty 0.2" thick steel construction
 - Shelves and other accessories can be fitted to the poles using Ø2" accessory collars
 - Simple 'hook-on' installation
 - All mounting hardware



RECOMMENDED MAX SCREEN	MAX LOAD	MAX VESA	
28" 71cm	18lbs	100	



BT8570



ORDERING INFORMATION

COLOR	ORDER REF	BARCODE
Black	BT8570/B	5019318305795

RELATED PRODUCTS

PRODUCT CODE	NAME	DESCRIPTION
BT7052	Ø2" Collar	Designed to attach AV accessories and shelves to poles
BT7033	300 x 300mm AV Accessory Shelf	Designed for mounting to a wall or across a wide range of B-Tech products
BT8571	Floor Stand	Designed for small to medium flat screens up to 47" / 55lbs
BT8572	Floor Stand	Designed for medium to large flat screens up to 55" / 88lbs

© 2018 B-Tech AV Mounts Corporation Ltd. All rights reserved.
 The information this specification sheet reflects the current technical specifications as of the time of printing.
 We reserve the right to change the technical or physical specifications without prior notice. The B-Tech name and the B-Tech logo are registered trademarks of B-Tech AV Mounts Corporation Ltd.
 B-Tech is not responsible for loss or damage caused by improper installation or mounting on unstable structures. Any reproduction or reuse of information or any part of this specification sheet is strictly prohibited unless prior written permission is obtained from B-Tech AV Mounts Corporation Ltd. B-Tech.

SS-V2-BT8570-010725