

BT8581

SINGLE COLUMN FLOOR STAND FOR MEDIUM FLAT SCREENS

BT8581 is a stylish display stand designed for use with small/medium sized screens. The base features non-marking rubber feet, grab handles for easy handling, and a cover plate for improved aesthetics. Suitable for screens with VESA fixings up to 200 x 200, the screen can be easily mounted at any height on the 1.8 column. Accessories such as shelves can also be added directly to the column.

SPECIFICATIONS

Recommended screen size	up to 47"
Max load	35kg
VESA® compatibility	up to 200 x 200
Dimensions	W : 700mm x D : 515mm x H : 1844mm
No. of BT8381 Columns	1
Vertical column colour	Black or Silver

FEATURES

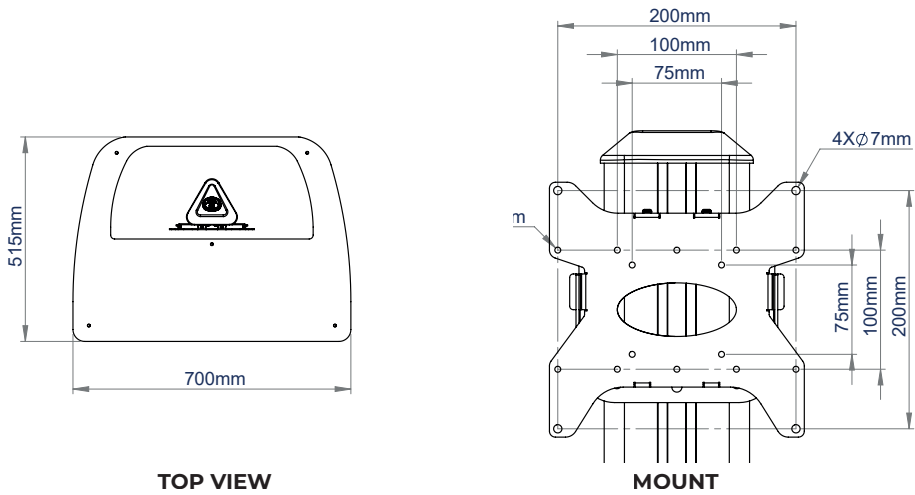
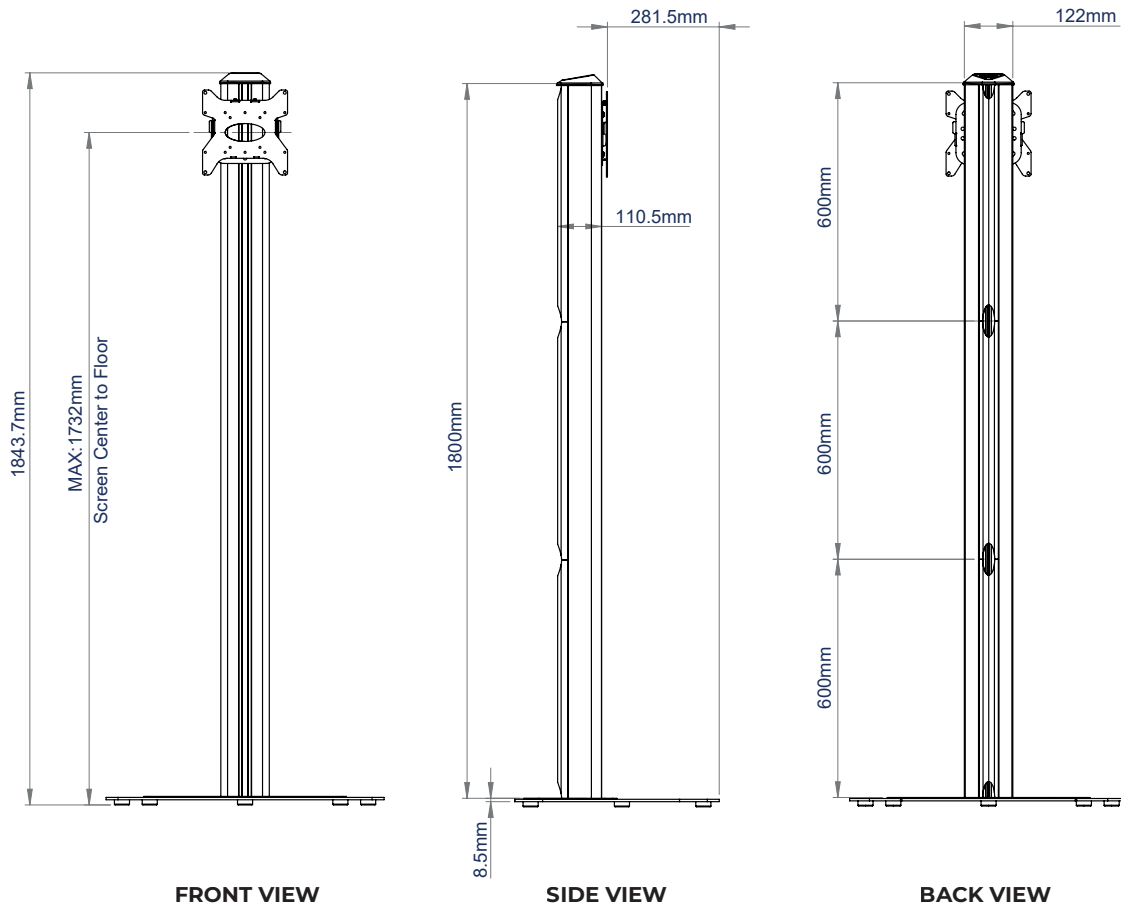
- 1 Supplied with non-marking rubber feet for increased stability
 - 2 Grab handles allow for easy handling
 - 3 Integrated cable management for tidy display
 - 4 Includes cover plate to hide grab handles once installed
- Suitable to mount screens in a landscape or portrait orientation
 - Heavy duty 6mm thick steel construction
 - Accessory shelves can be mounted directly to the column
 - Simple 'hook-on' installation
 - All mounting hardware included



RECOMMENDED MAX SCREEN	MAX LOAD	MAX VESA	
47" 120cm	35kg	200	



BT8581



ORDERING INFORMATION

COLOUR	ORDER REF	EAN
Black	BT8581/BB	5019318305832
Black / Silver	BT8581/BS	5019318305849

RELATED PRODUCTS

PRODUCT CODE	NAME	DESCRIPTION
BT8381	System X Vertical Support Column	Available in Silver or Black
BT7033	300 x 300mm AV Accessory Shelf	Designed for mounting to a wall or across a wide range of B-Tech products
BT8582	Floor Stand	Designed for medium to large flat screens up to 55" / 40kg
BT8571	Floor Stand	Designed for small to medium flat screens up to 47" / 25kg

© 2016 B-Tech AV Mounts Corporation Ltd. All rights reserved.
 The information in this specification sheet reflects the current technical specifications at the time of printing.
 We reserve the right to change the technical or physical specifications without prior notice. These B-Tech names and the B-Tech logo are registered trademarks of B-Tech AV Mounts Corporation Ltd.
 B-Tech is not responsible for loss or damage caused by improper installation or mounting on unsuitable structures. Any reproduction or use without permission or registration of any part of this specification sheet is strictly prohibited unless prior written permission is granted by B-Tech AV Mounts Corporation Ltd. B-Tech.

SS-V2-BT8581-050924