



BT892

PREMIUM
LAPTOP TROLLEY
WITH STYLISH GLASS PLATFORM
ASSEMBLY GUIDE & PARTS LIST



This Pack Contains 1 Trolley

PLEASE KEEP THIS FOR FUTURE REFERENCE



FEATURES

- Easy height adjustment for standing or seated computer use:
Min: 70cm (27.6") - Max: 95.5cm (37.6")
- Features retractable mouse platform and cup holder
- Stylish 5mm tempered safety glass platform and shelf
- Top platform suitable for AV equipment up to 15kg (33lbs)
- Lower shelf suitable for AV equipment up to 10kg (22lbs)
- Durable base with 3 locking wheels
- Quick and easy assembly



Top Platform



Lower Shelf

CONTENTS

Assembly Safety Notes.....	2
Parts List.....	4
Assembly Instructions.....	6
Product Dimensions.....	11
B-Tech Contact Details.....	12

ASSEMBLY TOOLS REQUIRED

Crosshead
screwdriver



B-TECH AUDIO VIDEO MOUNTS

www.btechavmounts.com

ASSEMBLY SAFETY INSTRUCTIONS



CAUTION: This AV trolley is intended for use only with the maximum weights indicated. Use with AV equipment heavier than the maximum indicated may result in instability causing possible injury.

Do not attempt to assemble this product until all instructions and warnings have been read and properly understood. Please keep these instructions for future reference. B-Tech International Limited, its distributors and dealers are not liable or responsible for damage or injury caused by improper installation, improper use or failure to observe these safety instructions. In such cases, all guarantees will expire.

General

B-Tech International Ltd recommends that a professional AV installer or other suitably qualified person assemble this product. Great care must always be taken during assembly as most AV equipment is of a fragile nature, possibly heavy and easily damaged if dropped. If you do not fully understand the instructions or are not sure how to assemble this product safely, then please consult a professional for advice and/or to assemble this product for you. Failure to assemble this product correctly may cause serious injury or death both during assembly and at any time thereafter. Do not mount any AV equipment that exceeds the specific weight limit of the product you are installing. This weight limit will be clearly stated on each product and its packaging and will vary from product to product.

Product Location



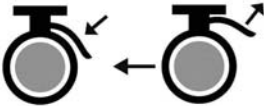


Please pay careful attention to where this product is located. Some locations are not suitable.

Fixing Hardware

It is highly recommended that all fixing screws be used where supplied and that the purpose of all other fixing hardware is fully understood. In some cases more AV equipment fixing hardware will be supplied to accommodate different models of equipment and set up configurations. The installer must be satisfied that any supplied fixing hardware is suitable for each specific installation. If any fixing screws or included hardware are deemed not sufficient for a safe installation then please consult a professional or your local hardware store.

Hazard Limitation

When routing cables take advantage of any built in cable management features that the product might provide and ensure that all cables are tidy and secure. Check to see that any moving aspect of the product can do so unhindered by any cabling. Some products have moving parts and the potential to cause injury through the crushing or trapping of fingers or other body parts. Particular attention to the nature of moving parts is required especially when assembling and adjusting during set up. Immediately after assembly double-check that the work done is safe and secure. Double-check all necessary fixings are present and are of ample tightness. It is recommended that periodic inspections of the product and its fixing points are made as frequently as possible to ensure that safety is maintained. If in doubt consult a professional AV installer or other suitably qualified person.

 WARNING 		
		
Always apply brakes when trolley is stationary. Release brakes when pushing trolley.	Never leave trolley on an incline. Always park on level ground.	Do not allow children under the age of 16 to move the trolley.

CS

Společnost B-Tech International Ltd. doporučuje provést instalaci tohoto produktu prostřednictvím odborného instalátora AV či jinak způsobilé osoby. Společnost B-Tech International Ltd, její distributoři a prodejci nenesou odpovědnost za škody nebo zranění způsobená nevhodnou instalací. Tento výrobek je nutno umístit do vhodné konstrukce a používat jen po uvedené maximální výšce.

DE

B-Tech International Ltd. empfiehlt, dass dieses Produkt durch einen qualifizierten AV-Techniker oder eine andere Person mit geeigneter Qualifikation installiert wird. B-Tech International Ltd, ihre Distributoren und Händler können nicht für durch fehlerhafte Montage verursachte Beschädigung oder Verletzung haftbar bzw. verantwortlich gemacht werden. Dieses Produkt muss auf eine geeigneten Untergrund montiert werden und darf nur bis zum angegebenen Höchstgewicht verwendet werden.

ES

B-Tech International Ltd. recomienda que un instalador de audio y video profesional u otra persona debidamente cualificada instalen este producto. B-Tech International Ltd, sus distribuidores y concesionarios no se hacen cargo ni se responsabilizan de ningún daño o lesión provocados por una instalación inapropiada. Este producto se debe montar en una estructura adecuada y se debe utilizar soportando solamente hasta el peso máximo indicado.

FR

B-Tech International Ltd. recommande de confier l'installation de ce produit à un installateur AV professionnel ou à une autre personne dûment qualifiée. B-Tech International Ltd, ses distributeurs et ses revendeurs ne sauraient être tenus responsables de tout dégat ou de toute blessure résultant d'une installation incorrecte. Ce produit doit être monté sur un support approprié et utilisé dans la limite du poids maximum indiqué.

IT

B-Tech International Ltd. consiglia di affidare l'installazione di questo prodotto a un installatore specializzato o ad altra persona adeguatamente qualificata. B-Tech International Ltd, i suoi distributori e rivenditori non accettano alcuna responsabilità nei riguardi di eventuali danni o infortuni causati da un'errata installazione. Questo prodotto deve essere fissato a una struttura idonea e utilizzato unicamente sino al peso massimo indicato.

NL

B-Tech International Ltd. adviseert om dit product te laten installeren door een professionele AV-installateur of andere hiervoor gekwalificeerde persoon. B-Tech International Ltd, haar distributeurs en dealers zijn niet aansprakelijk of verantwoordelijk voor schade of letsel die is veroorzaakt door onoordeelkundige installatie. Dit product moet worden gemonteerd aan een geschikte constructie, waarbij het aangegeven maximum gewicht niet mag worden overschreden.

PL

Firma B-Tech International Ltd. zaleca, aby ten produkt był instalowany przez profesjonalnych instalatorów AV lub inny odpowiednio przeszkolony personel. Firma B-Tech International Ltd, jej dystrybutorzy i dealerzy nie ponoszą odpowiedzialności za uszkodzenia lub obrażenia ciała powstałe w wyniku nieprawidłowej instalacji. Niniejszy produkt musi być zamontowany na odpowiedniej powierzchni, a podczas użytkowania nie wolno przekraczać podanego maksymalnego obciążenia.

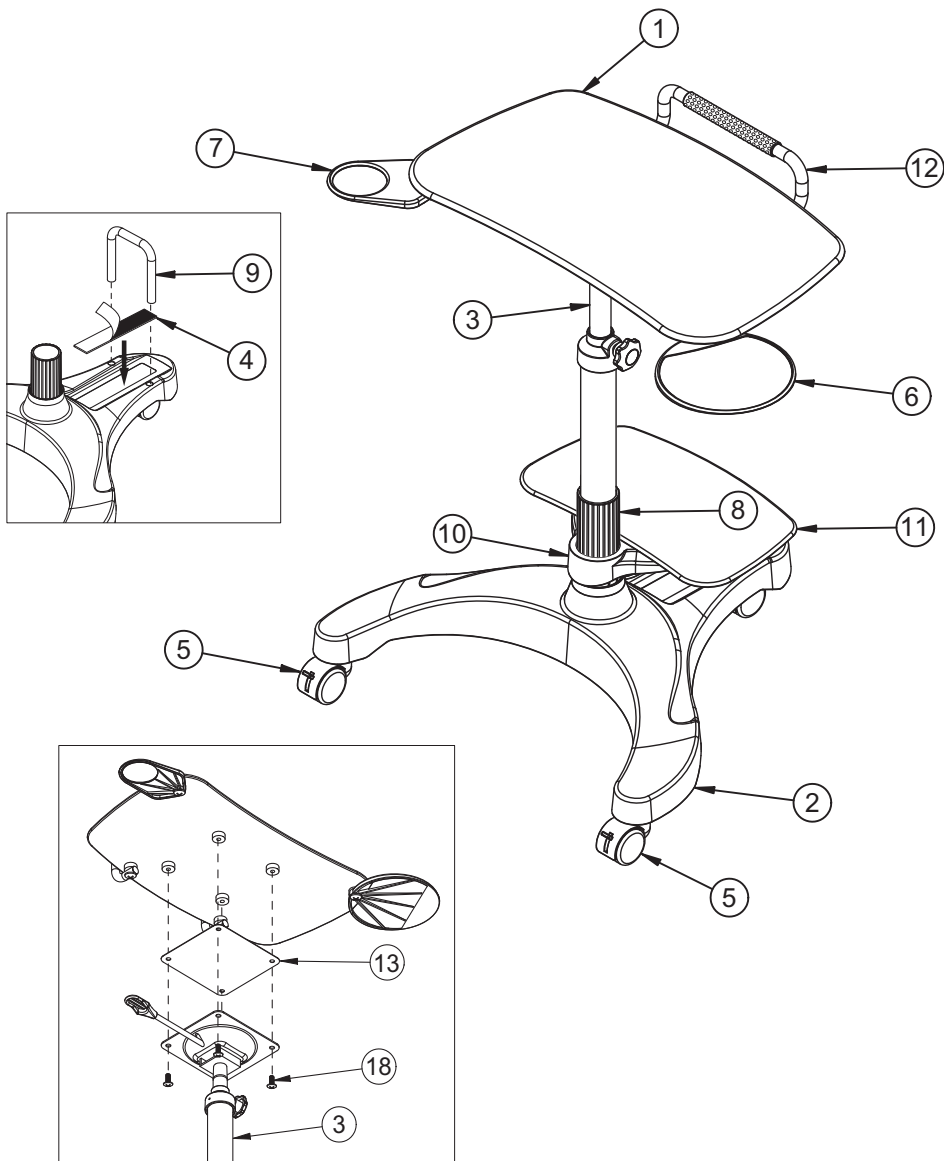
PT

A B-Tech International Ltd. recomenda que a instalação deste produto seja efectuada por um instalador de AV profissional ou outra pessoa devidamente habilitada. A B-Tech International Ltd. e os seus distribuidores e concessionários não são responsáveis por danos ou lesões causados por uma instalação incorrecta. Este produto tem de ser montado numa estrutura adequada e utilizado somente até ao peso máximo indicado.

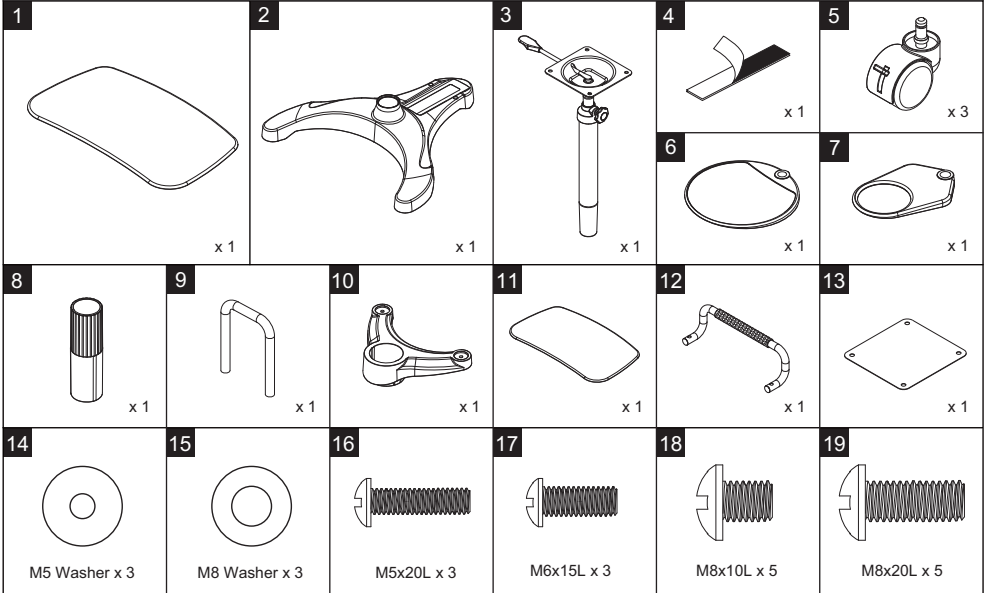
RU

Компания B-Tech International Ltd. рекомендует, чтобы установка данного изделия производилась инженером по установке аудио-видеотехники или другим специалистом с соответствующей квалификацией. Компания B-Tech International Ltd., ее дистрибьюторы и дилеры не несут ответственности за повреждения или травмы, полученные в результате неправильной установки. Данное изделие должно

BT892 PARTS LIST



PARTS LIST

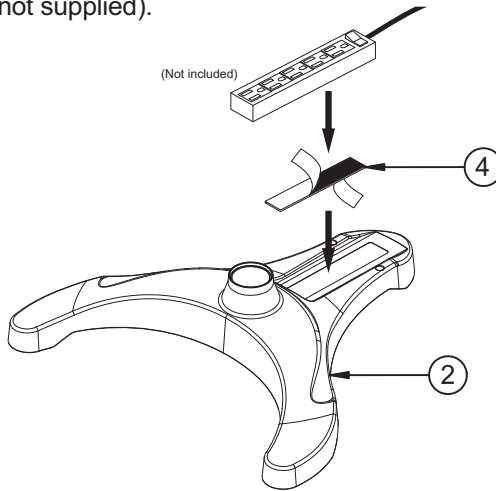


REF	PART NAME	QTY
1	LARGE GLASS PLATFORM	1
2	BASE	1
3	ADJUSTABLE POLE	1
4	ADHESIVE PAD	1
5	WHEEL	3
6	MOUSE PLATFORM	1
7	CUP HOLDER	1
8	POLE COLLAR	1
9	SUPPORT BAR	1
10	PLATFORM SUPPORT	1
11	SMALL GLASS PLATFORM	1
12	LAPTOP SUPPORT BAR	1
13	SQUARE PLATE	1
14	M5 WASHER	3
15	M8 WASHER	3
16	M5 x 20 SCREW	3
17	M6 x 15 SCREW	3
18	M8 x 10 SCREW	5
19	M8 x 20 SCREW	5

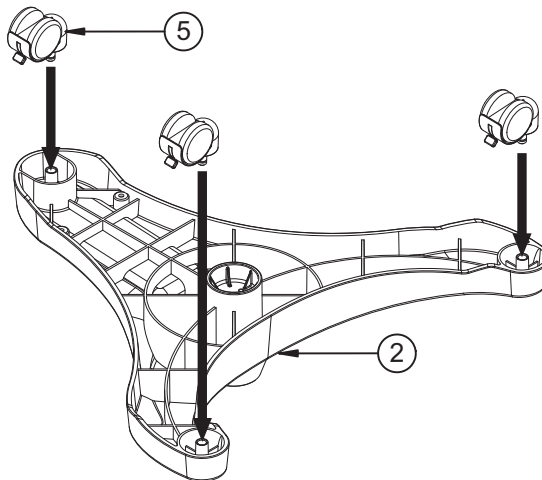
PLEASE KEEP THIS FOR FUTURE REFERENCE

ASSEMBLY INSTRUCTIONS

- 1** Stick Adhesive Pad (*part 4*) to Base (*part 2*) to secure multi-socket in place (not supplied).

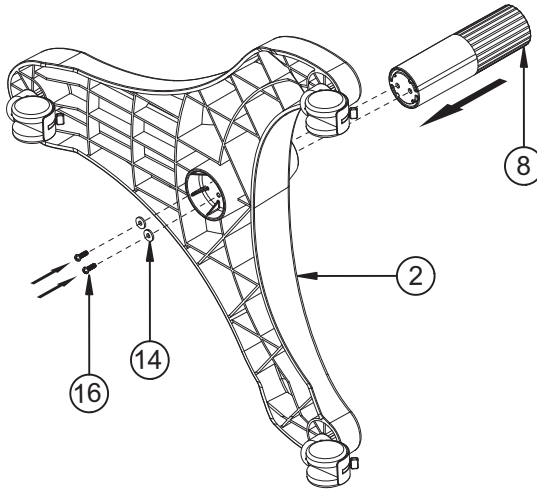


- 2** Firmly push Wheels (*parts 5*) into Base (*part 2*).



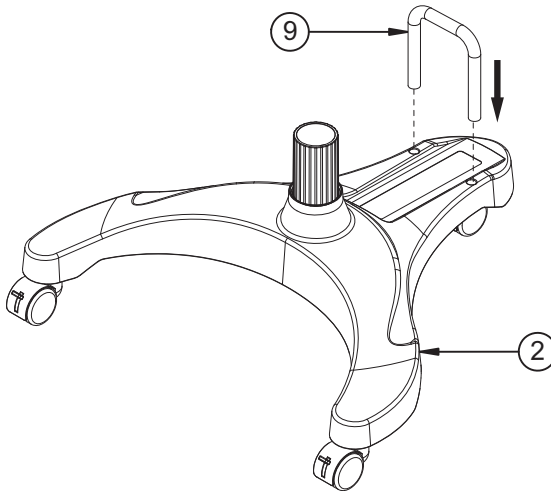
3

Secure Pole Collar (part 8) into Base (part 2) using screws and washers provided (parts 16 & 14).



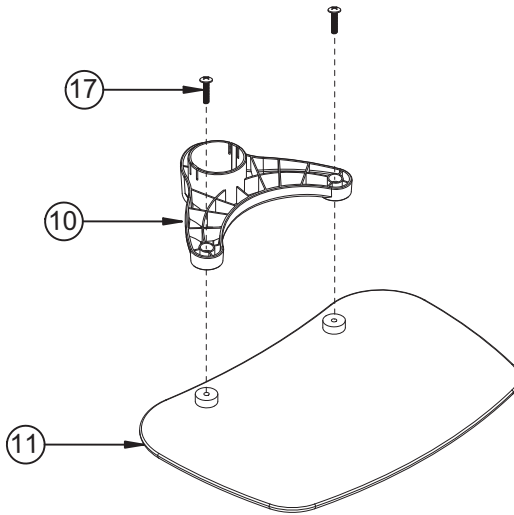
4

Push Support Bar (part 9) into Base (part 2).



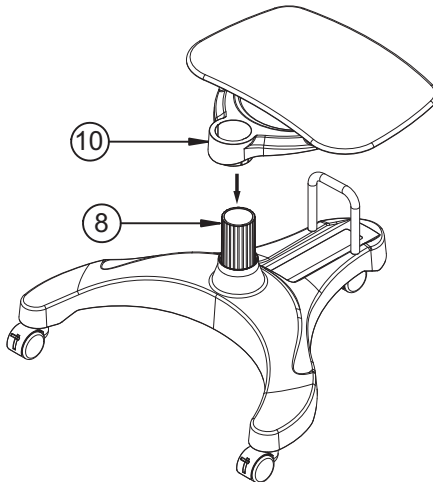
5

Attach Platform Support (*part 10*) to the underside of the Small Glass Platform (*part 11*) using screws provided (*parts 17*).

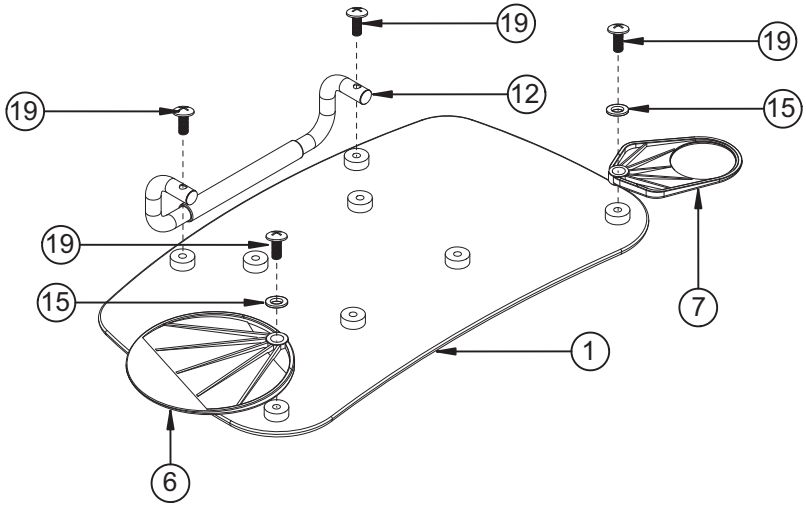


6

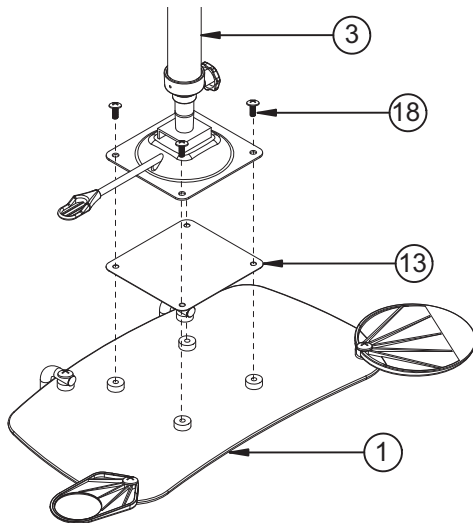
Attach Platform Support (*part 10*) over Pole Collar (*part 8*).



7 Attach the Laptop Support Bar, Mouse Platform and Cup Holder (parts 12, 6 & 7) to the Large Glass Platform (part 1) using the screws and washers provided (parts 19 & 15).

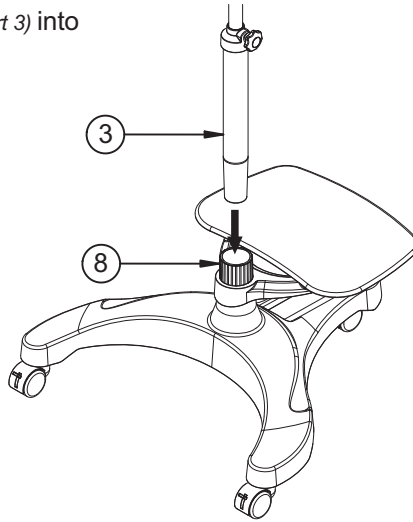


8 Attach the Adjustable Pole (part 3) to the Large Glass Platform (part 1) using the Square Plate (part 13) and the screws provided (parts 18).



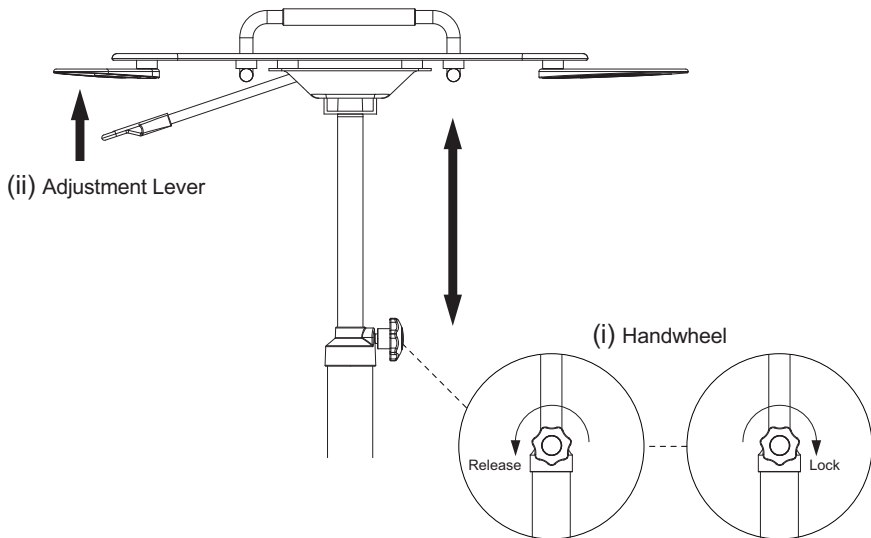
9

Insert Adjustable Pole (part 3) into the Pole Collar (part 8).



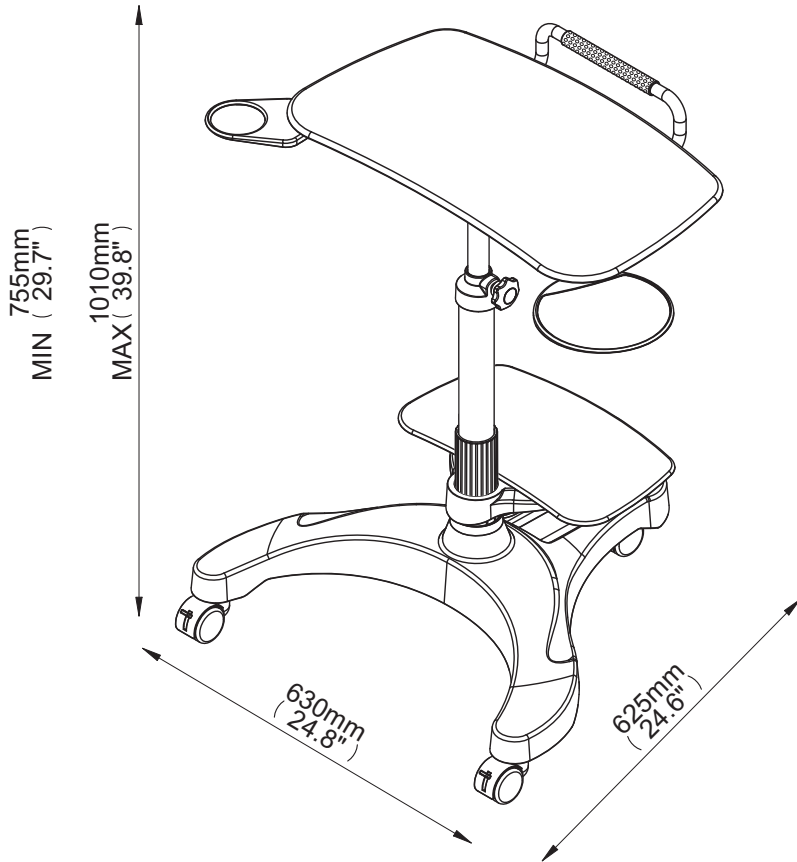
10

To adjust the height of the platform, turn handwheel (i) counter-clockwise to unlock. Lift lever (ii) and adjust to preferred height, then release lever. Turn handwheel (i) clockwise to lock.



10

BT892 PRODUCT DIMENSIONS





BETTER BY DESIGN™

www.btechavmounts.com

B-TECH AUDIO VIDEO MOUNTS

HEAD OFFICE

Bennett House, Long March, Daventry, Northants., NN11 4NR, UK
Email: info@btechavmounts.co.uk

EUROPE

BELGIUM

Brixtonlaan 32, Zaventem 1930,
Brussels, Belgium
Email: info@btechproav.com

GERMANY

Dyrotzer Weg 25A, 14612 Falkensee,
Berlin, Germany
Email: info@btechdeutschland.de

NORTH AMERICA

203 Eggert Road,
Buffalo, NY 14215, USA
Email: info@btechavmounts.com

SINGAPORE

Ruby Industrial Complex,
Singapore 347740
Email: info@btechavmounts.com.sg

ASIA PACIFIC

1503 Prosperity Millennia Plaza,
Quarry Bay, Hong Kong
Email: info@btechavmounts.com.hk

©2011 Bennett Technologies Limited. All rights reserved.
B-Tech Audio Video Mounts is a division of Bennett Technologies Limited.
B-Tech and Better By Design are registered trademarks of Bennett Technologies Limited.
All other brands and product names are trademarks of their respective owners.
Photographs are for illustrative purposes only. E&OE.