

BT897

STACKABLE HEAVY DUTY PROJECTOR FLOORMOUNT WITH PULL-OUT SERVICE TRAY

Designed to floor mount projectors up to 75kg, this heavy duty mount can be stacked to create a column of XL projectors. The projector fixes to a slide out tray which allows for quick and easy servicing without needing to disassemble any part of the installation. Pitch, yaw and roll micro-adjustment allows easy alignment of projected images and cable management is included for a neat and tidy installation. This projector can be used independently or in conjunction with the BT898 stackable heavy duty projector mount with enhanced pitch, to meet the demand for a projector stack with increased adjustment in a chosen area.



SPECIFICATIONS

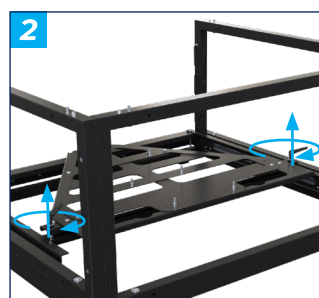
Max load	75kg per unit
Max projector size	W : 800mm D : 1000mm H : 350mm
Tilt (pitch)	4.5°
Yaw	2.5°
Roll	4.5°
Max stack	4 units

FEATURES

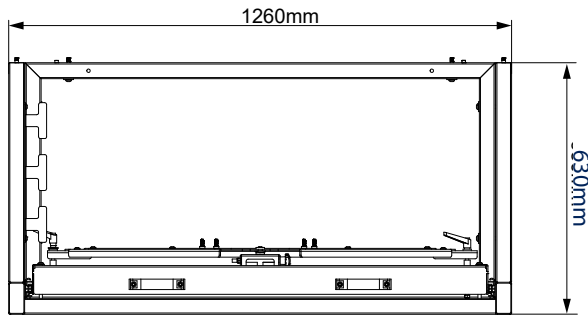
- 1 Slide out tray allows quick and easy servicing without any disassembly
 - 2 Features pitch, yaw and roll adjustment for perfectly level projection
 - 3 Micro-adjustment for perfectly framed projection
 - 4 Can be used in conjunction with the BT898 Stackable Projector Mount (top tier)
- Modular design allows mounts to be stacked up to 4 high
 - Projector can be quickly connected or disconnected for off-site servicing if required
 - Tilt, pitch and yaw positions are maintained while projector is disconnected, eliminating the need to re-calibrate micro-adjustments after servicing
 - Integrated cable management
 - Open design gives suitable ventilation for projectors
 - Designed for indoor or outdoor use when protected in a sheltered environment
 - Quick and easy assembly
 - Ideal for projection mapping



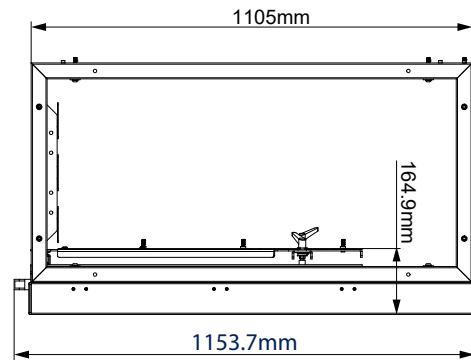
MAX LOAD 75kg	MICRO ADJUSTMENT [Icon of a gear]	TILT 4.5°	YAW 2.5°	ROLL +4.5°	
-------------------------	---	---------------------	--------------------	----------------------	--



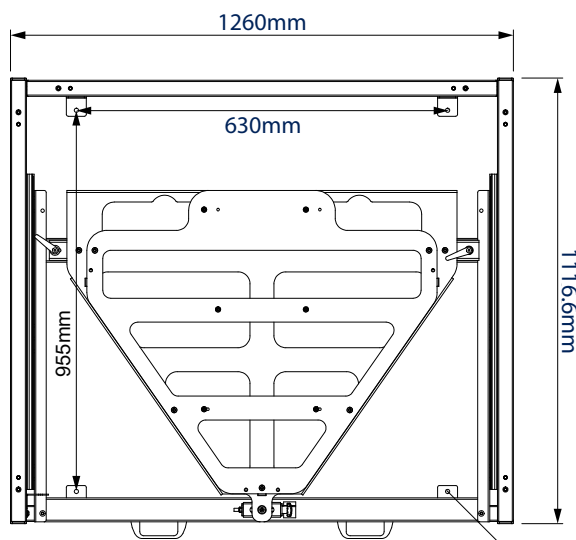
BT897



FRONT VIEW

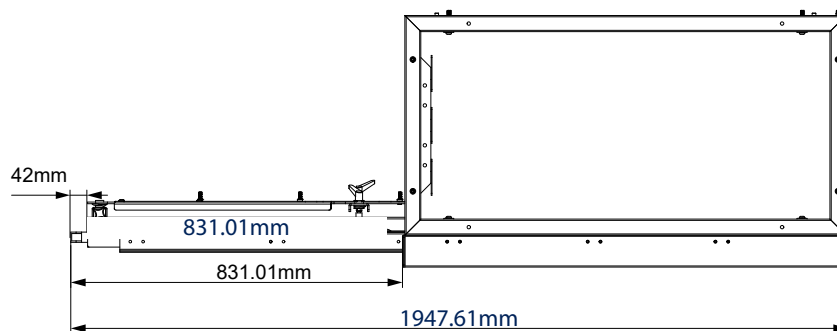


SIDE VIEW



TOP VIEW

Ø10.5mm THRU



SIDE VIEW TRAY EXTENDED

ORDERING INFORMATION

COLOUR	ORDER REF	EAN
Black	BT897/B	5019318081194

RELATED PRODUCTS

PRODUCT CODE	NAME	DESCRIPTION
BT898	Stackable Heavy Duty Projector Mount	Designed for projectors up to 75kg
BT893	Heavy Duty Projector Ceiling Mount	Designed for projectors up to 70kg
BT893-AD	Adjustable Drop Heavy Duty projector Ceiling Mount	Designed for projectors up to 70kg
BT893-FD	Fixed Drop Heavy Duty projector Ceiling mount	Designed for projectors up to 70kg

© 2016 B-Tech AV Mounts Co. Ltd. All rights reserved.
 The information this specification sheet reflects the current technical specifications at the time of print.
 We reserve the right to change the technical or physical specifications without prior notice. This B-Tech name and the B-Tech logo are registered trademarks of B-Tech AV Mounts Co. Ltd.
 B-Tech is not responsible for any loss or damage caused by improper installation or mounting on unsuitable structures. Any reproduction or use without permission or registration of any part of this
 specification sheet is strictly prohibited unless prior written permission is granted by B-Tech AV Mounts Co. Ltd. 12611.

SS-V2-BT897-240924