



WITH
 MICRO-
 ADJUSTMENT

BT899 PROJECTOR CEILING MOUNT WITH MICRO-ADJUSTMENT



The BT899 is a universal projector ceiling mount which can be used to mount projectors up to 25kg. Compatible with B-Tech's System 2 professional range, this mount can either be mounted flush to the ceiling or onto Ø50mm poles. Supplied pre-assembled for a simple three step installation, the BT899 is designed with easy adjustment of tilt, roll and swivel with optional micro-adjustment for short throw projectors making this mount the ideal solution for installing heavy duty projectors.

SPECIFICATION

Max load	25kg
Tilt adjustment	+/-13°
Roll adjustment	+/-6°
Yaw	360°
Ceiling drop	122mm
Max distance between fixings	370mm

FEATURES

- Can be mounted directly to the ceiling or onto a pole
- Compatible with the B-Tech System 2 Professional Range and 1.5" NPT pipe systems
- Pre-assembled for simple three step installation
- Integrated cable management for smart installation
- Security locking screws and Allen key provided for a secure installation
- Unique 'Carousel' mounting plate for universal compatibility
- Suitable for projectors using M2.5, M3, M4, M5 and M6 fixings
- All mounting hardware included



Unique 'carousel' mounting plate for universal compatibility



Features easy tilt, roll and swivel functions

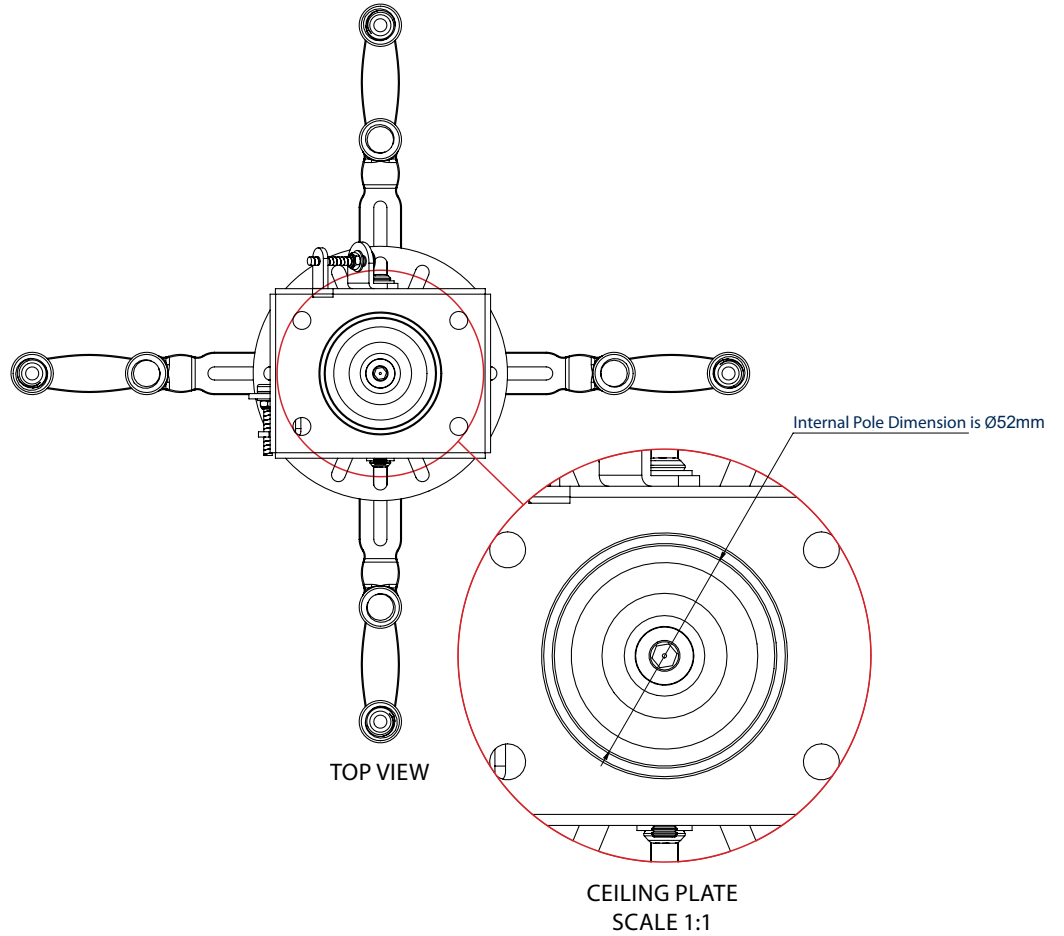
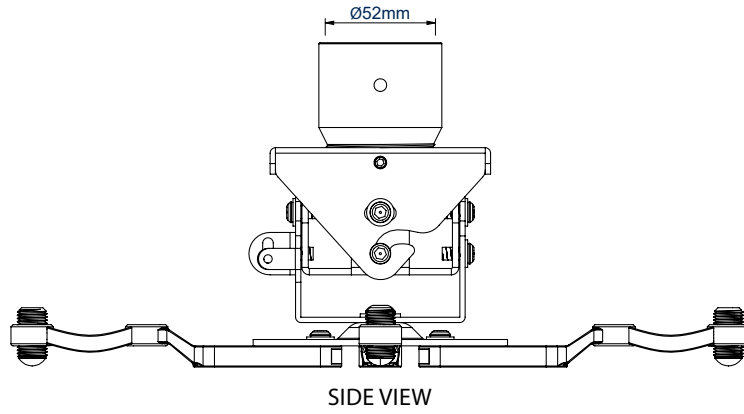


Compatible with B-Tech System 2 poles and ceiling mounts



Optional micro-adjustment feature for short throw projectors





PACKING INFORMATION		ORIGINAL DESIGNS BY B-TECH AV MOUNTS - REGISTERED DESIGNS & PATENTS APPLY				
COLOUR:	ORDER REF:	EAN CODE:	MASTER CARTON QTY:	INNER CARTON QTY:	MASTER CARTON WEIGHT:	MASTER CARTON CUBE:
Black	BT899/B	5019318088902	8	0	11.7kg	0.022cbm

ACCESSORIES AND RELATED PRODUCTS OF THE BT899



BT7850
Ø50mm Poles available in different lengths up to 3m



BT7822
Ceiling Mount securely fixes Ø50mm poles to the ceiling



BT893
Heavy Duty Projector Ceiling Mount with Micro Adjustment ideal for high ceilings where long drops are required



BT899-XL
Extra Large Heavy Duty Projector Mount Maximum distance between fixings 493mm

© 2019 B-Tech Av Mounts. All rights reserved. The information in this specification is subject to change without notice. B-Tech Av Mounts and B-Tech logo are registered trademarks of B-Tech International Design & Manufacturing Pty Ltd. B-Tech Av Mounts is a registered trademark of B-Tech Av Mounts. All other trademarks are the property of their respective owners. B-Tech Av Mounts is not liable for loss or damage caused by improper or unauthorized installation, use, or modification of any part of this specification. See www.btechavmounts.com for more information.