

BT899XL-AD

ADJUSTABLE DROP EXTRA-LARGE PROJECTOR CEILING MOUNT WITH MICRO-ADJUSTMENT

The BT899XL-AD is a ceiling mounted, universal projector mount designed to mount projectors up to 25kg. The BT899XL-AD allows the projector to be lowered or raised in 25mm increments & securely fastened at the desired height. The BT899XL-AD has a maximum drop of 1137mm & features easy adjustment of tilt, yaw & roll plus optional micro-adjustment makes alignment of projections quick & simple.

SPECIFICATIONS

Max load	25kg
Tilt (pitch)	+ / - 13°
Roll	+ / - 6°
Yaw	360°
Adjustable ceiling drop	728mm - 1128mm
Max distance between fixings	493mm

FEATURES

- 1 Adjustable drop in 25mm increments for the perfect height positioning
 - 2 Features easy tilt, roll and swivel functions
 - 3 The BT899XL-AD has a maximum drop of up to 1137mm
 - 4 Micro-adjustment feature is ideal for short throw projectors
- Integrated cable management for a smart installation
 - Security locking screws and Allen key provided for a secure installation
 - Unique 'Carousel' mounting plate for universal compatibility
 - Suitable for projectors using M2.5, M3, M4, M5 and M6 fixings

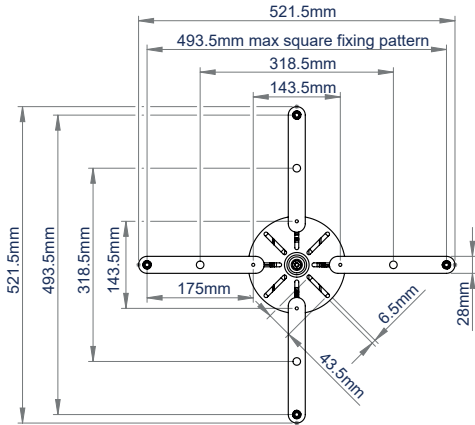


MAX LOAD	MICRO ADJUSTMENT	HEIGHT ADJUSTMENT	TILT	YAW	ROLL	QR CODE
						

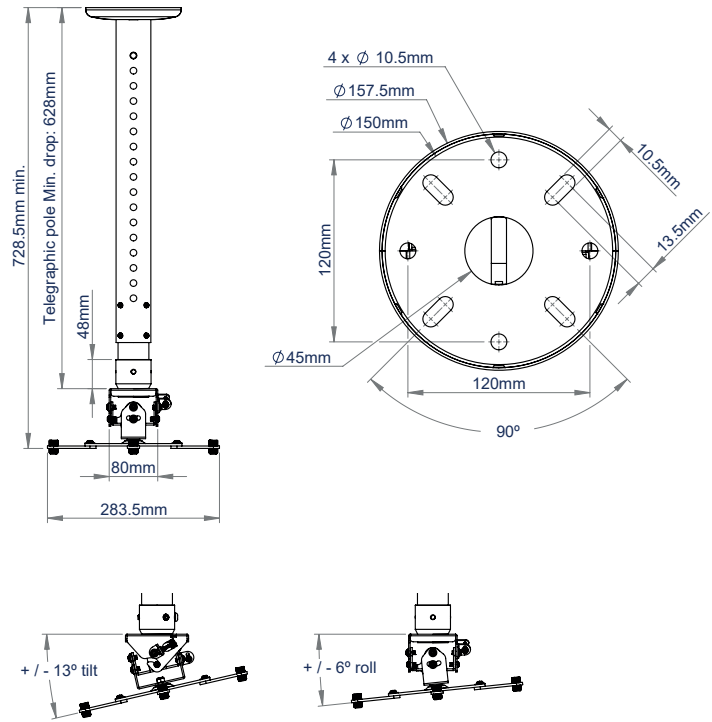
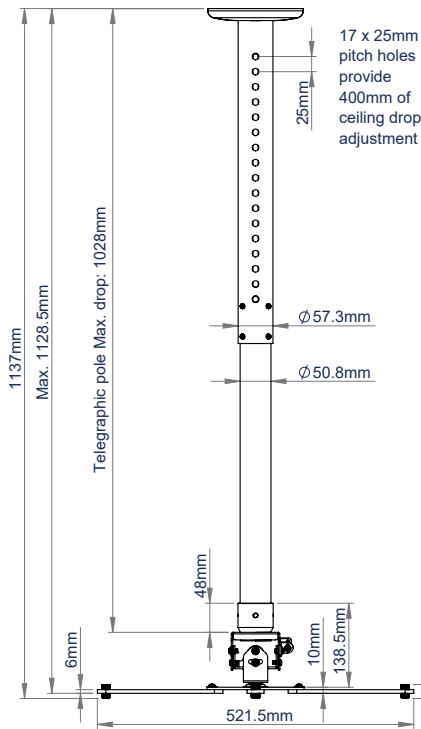
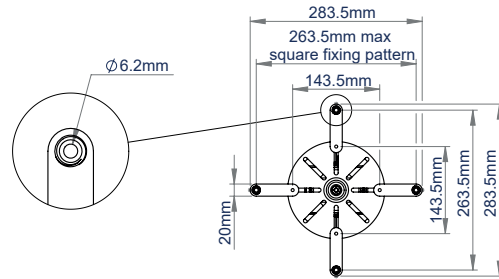


BT899XL-AD

BT899XL-AD With Long Legs



BT899XL-AD With Short Legs



ORDERING INFORMATION

COLOUR	ORDER REF	EAN
Black	BT899XL-AD/B	5019318761140

RELATED PRODUCTS

PRODUCT CODE	NAME	DESCRIPTION
BT899XL	Projector Ceiling Mount	Designed for extra-large projectors, mounts directly to the ceiling
BT899XL-FD	Fixed Drop Projector Ceiling Mount	Designed for XL projectors, suitable for angled ceilings
BT899-AD	Adjustable Drop Projector Ceiling Mount	Designed for projectors with fixing patterns up to 370mm
BT893-AD	Adjustable Drop Heavy Duty Projector Ceiling Mount	Designed for projectors with fixing patterns up to 618mm

© 2014 B Tech AV Mounts Co. Ltd. All rights reserved. The information this specification sheet reflects the current technical specifications at the time of printing. We reserve the right to change the technical or physical specifications without prior notice. The B Tech name and the B Tech logo are registered trademarks of B Tech AV Mounts Co. Ltd. B Tech is a registered trademark of B Tech AV Mounts Co. Ltd. B Tech is not responsible for loss or damage caused by improper installation or mounting on unstable structures. Any reproduction or reuse of information or specification sheets is strictly prohibited unless prior written permission is granted by B Tech AV Mounts Co. Ltd. 55-V2-BT899XL-AD-23.09.24