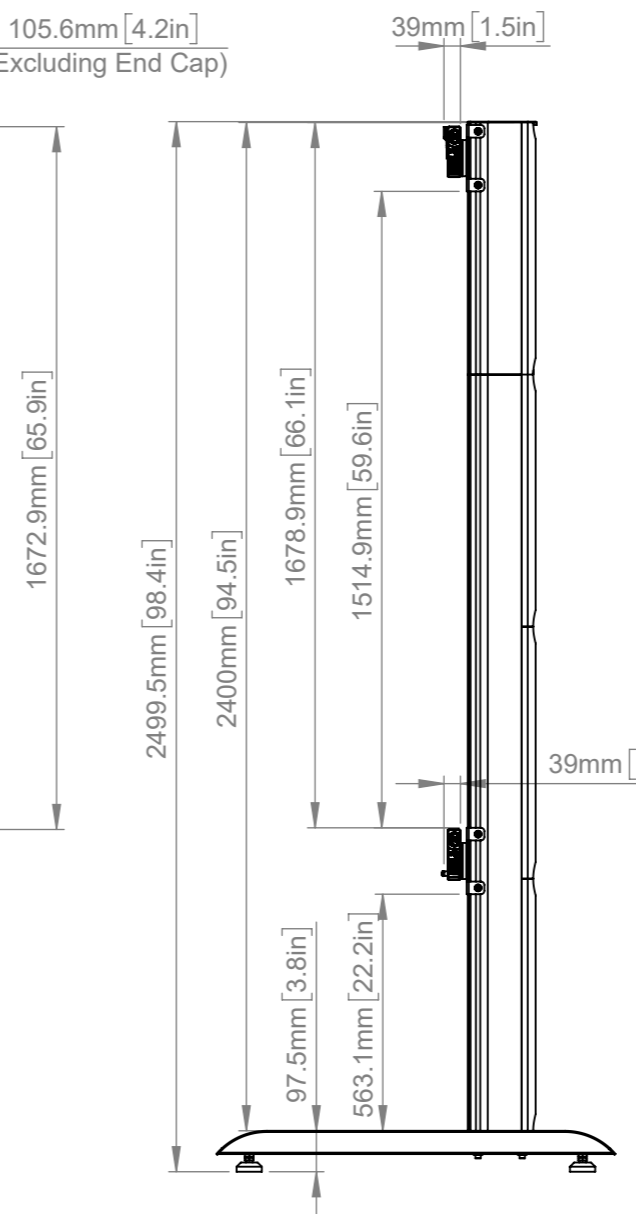
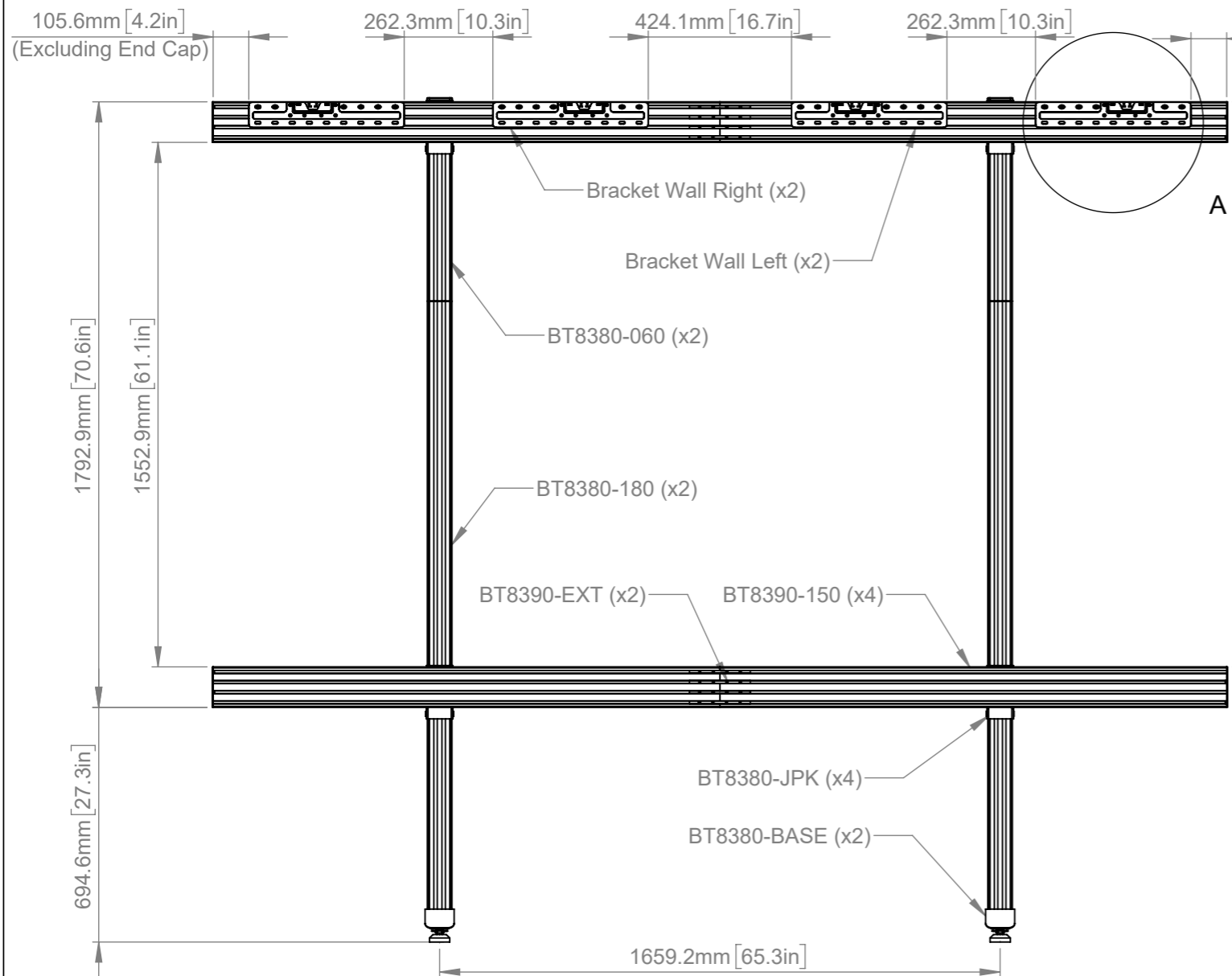
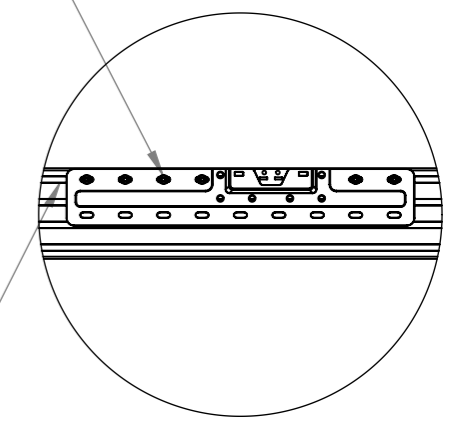


ISOMETRIC VIEW
SCALE: 1 : 25



BT8390-M6SN2, ALS-60010
& MWS-6121 (x24)


Fix to first top channel
of BT8390 rail

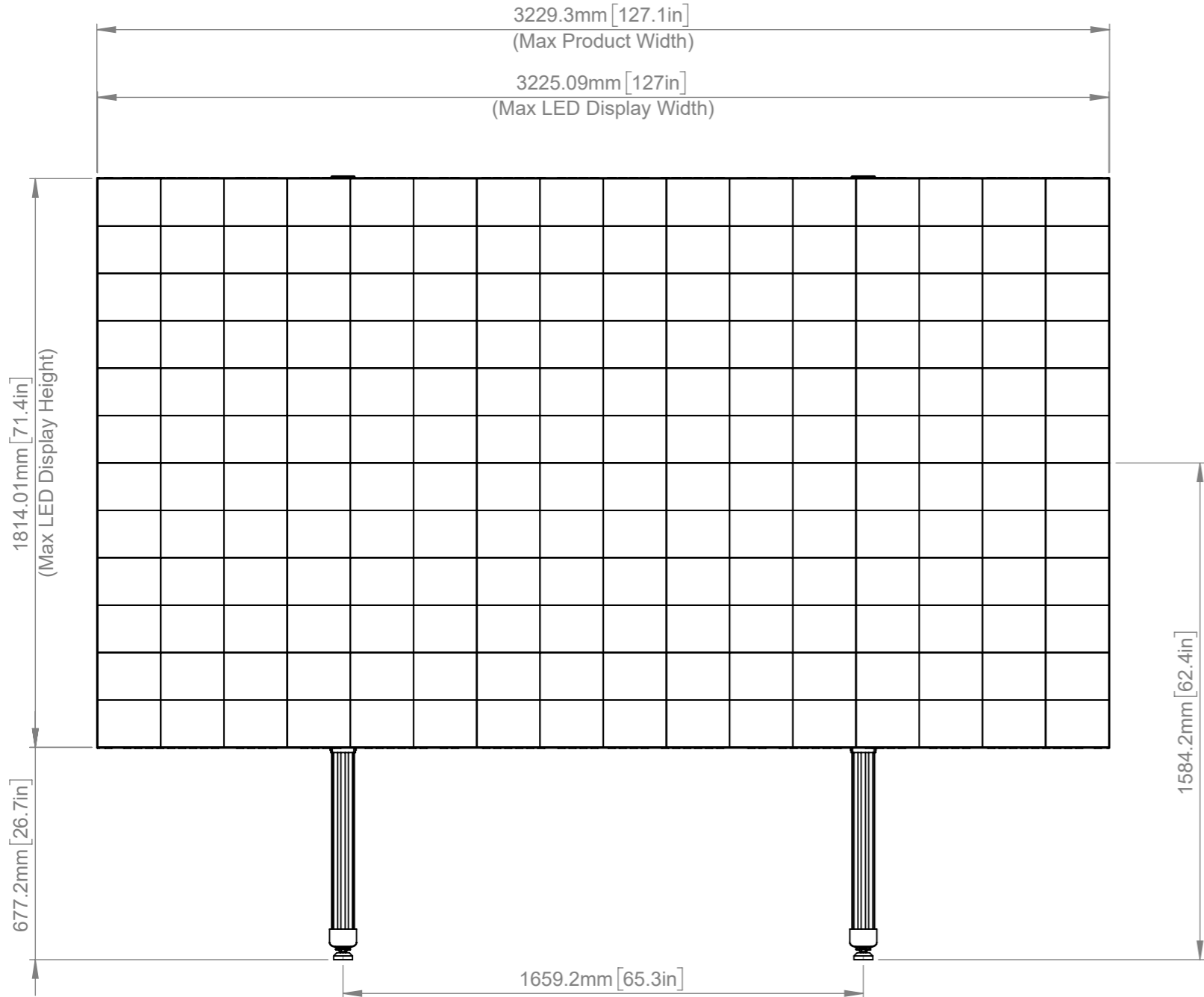
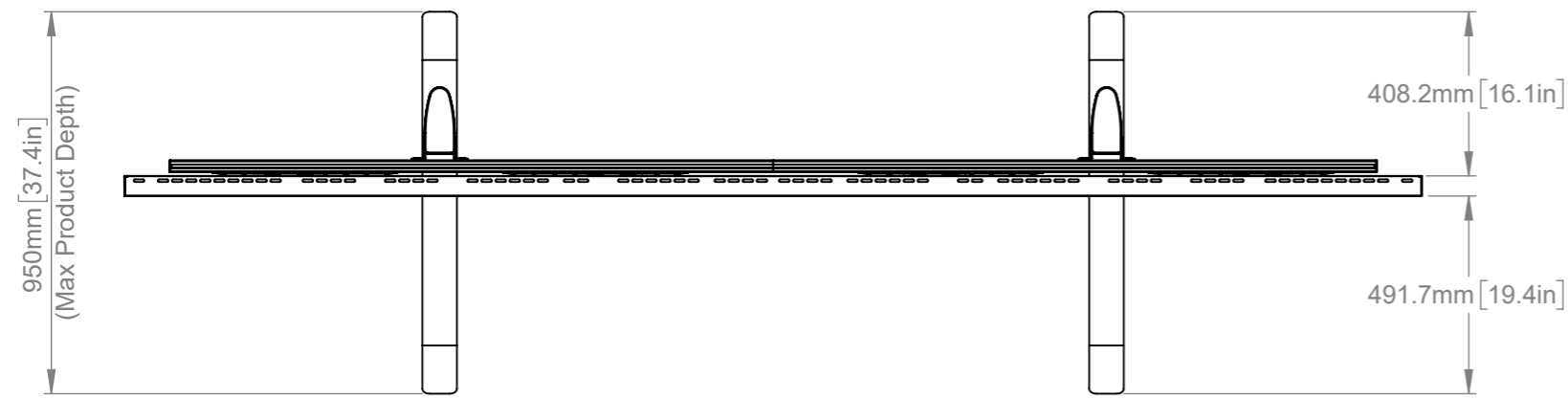


DETAIL A
SCALE 1 : 10

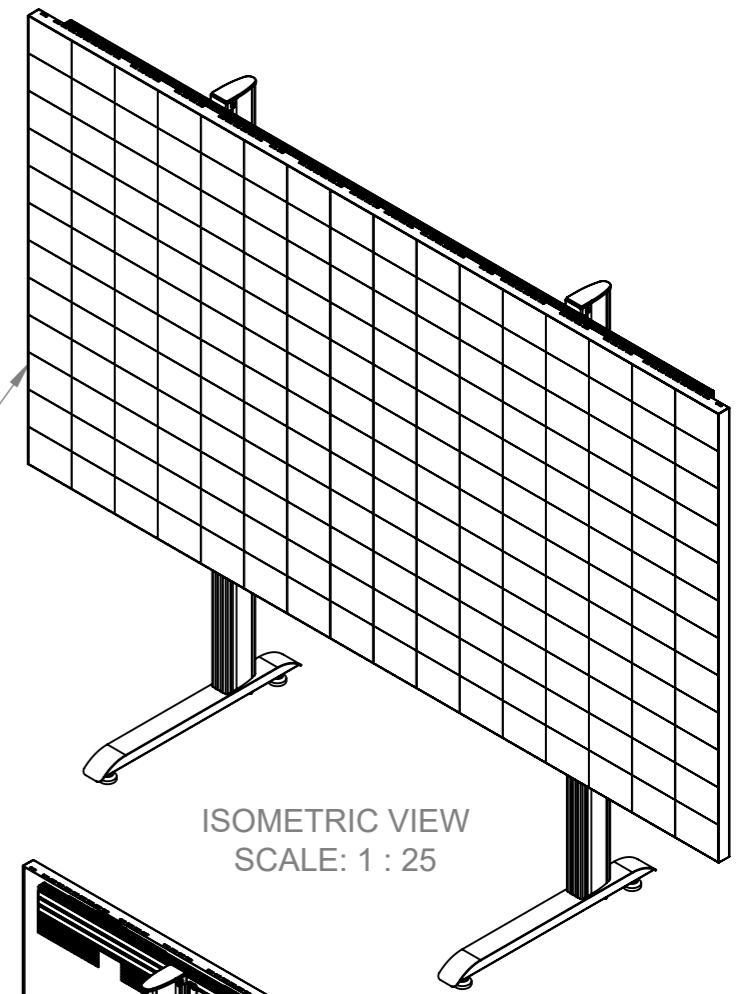
We recommend measuring from the top edge, to the top edge when installing the BT8390 horizontal rails
Total B-TECH Mount Weight Approx (Without the Cabinets): 58.02Kg (127.9lbs)
Total DVLED Cabinet Weight (Excluding Cables) Approx: 160Kg (352.74lbs)
Please view DXF file using eDrawings software for precise measurements

B-Tech International Design and Manufacturing Limited makes no representation or warranties, express or implied, with respect to the reuse of the data provided herewith, regardless of its format or the means of its transmission. B-Tech International Design and Manufacturing Limited makes every effort to provide accurate information, however there is no guarantee or representation to the user as to the accuracy, currency, suitability or reliability of this data. The user assumes all risks associated with its use. B-Tech International Design and Manufacturing Limited assumes no responsibility for actual or consequential damage incurred as a result of any user's reliance on this data.

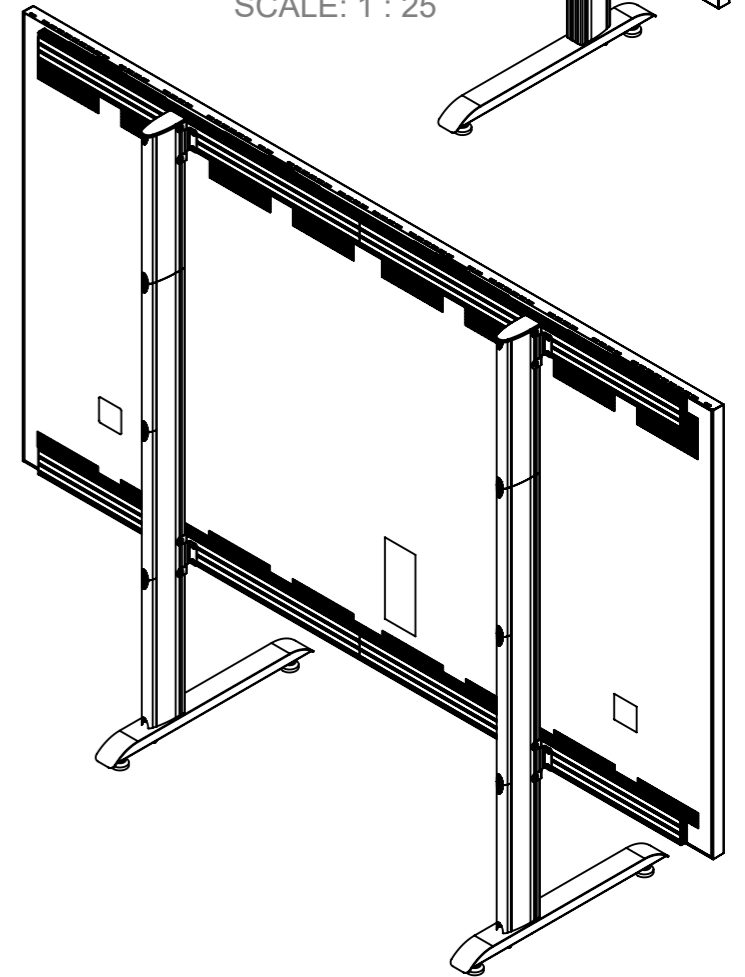
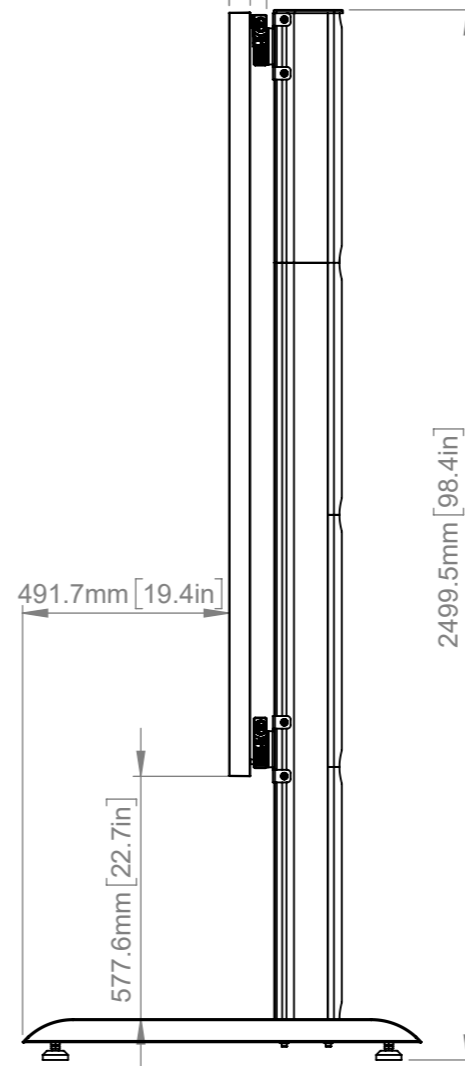
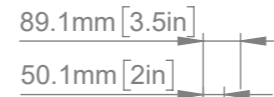
B-Tech International Design & Manufacturing Limited Part of the B-Tech International Group		B-Tech No:	BT9370-SAM146	
		Title:	STAND FOR SAMSUNG 146 IAB SERIES ALL IN ONE	
 UNLESS OTHERWISE SPECIFIED DIMENSIONS ARE IN MILLIMETERS	Size:	A3	Revision:	R00
	Scale:	1:18	Date:	09/02/2023
	Sheet:	1 of 2	File Name:	BTD-BT9370-SAM146



Samsung 146 IAB and outside frame (x1)
3225.09mm x 1814.01mm x 49mm 160kg



ISOMETRIC VIEW
SCALE: 1 : 25



We recommend measuring from the top edge, to the top edge when installing the BT8390 horizontal rails
Total B-TECH Mount Weight Approx (Without the Cabinets): 58.02Kg (127.9lbs)
Total DVLED Cabinet Weight (Excluding Cables) Approx: 160Kg (352.74lbs)
Please view DXF file using eDrawings software for precise measurements

B-Tech International Design and Manufacturing Limited makes no representation or warranties, express or implied, with respect to the reuse of the data provided herewith, regardless of its format or the means of its transmission. B-Tech International Design and Manufacturing Limited makes every effort to provide accurate information, however there is no guarantee or representation to the user as to the accuracy, currency, suitability or reliability of this data. The user assumes all risks associated with its use. B-Tech International Design and Manufacturing Limited assumes no responsibility for actual or consequential damage incurred as a result of any user's reliance on this data.

B-Tech International Design & Manufacturing Limited
Part of the B-Tech International Group



UNLESS OTHERWISE SPECIFIED DIMENSIONS ARE IN MILLIMETERS

Size: A3
Scale: 1:18
Sheet: 2 of 2

B-Tech No:	BT9370-SAM146
Title:	STAND FOR SAMSUNG 146 IAB SERIES ALL IN ONE
Revision:	R00
Date:	09/02/2023
File Name:	BTD-BT9370-SAM146