
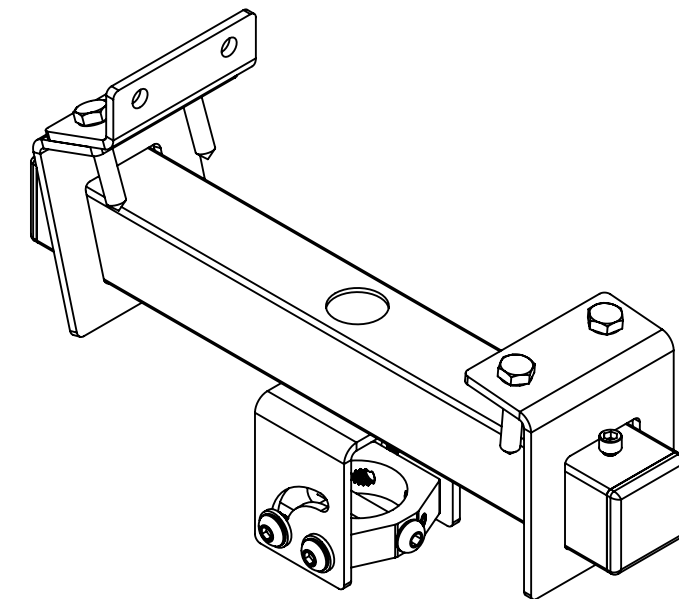
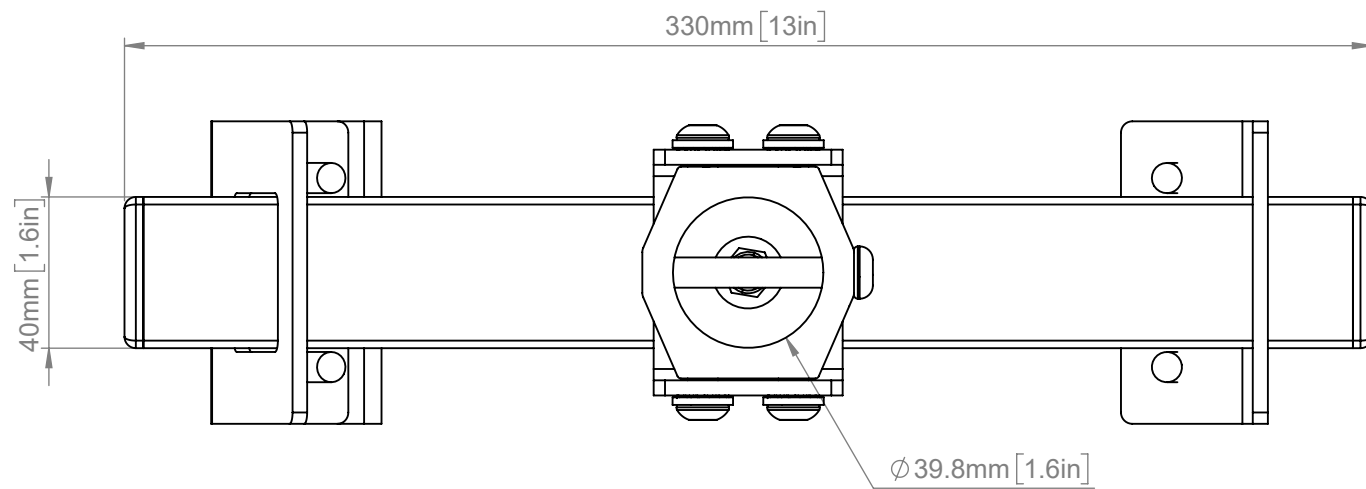
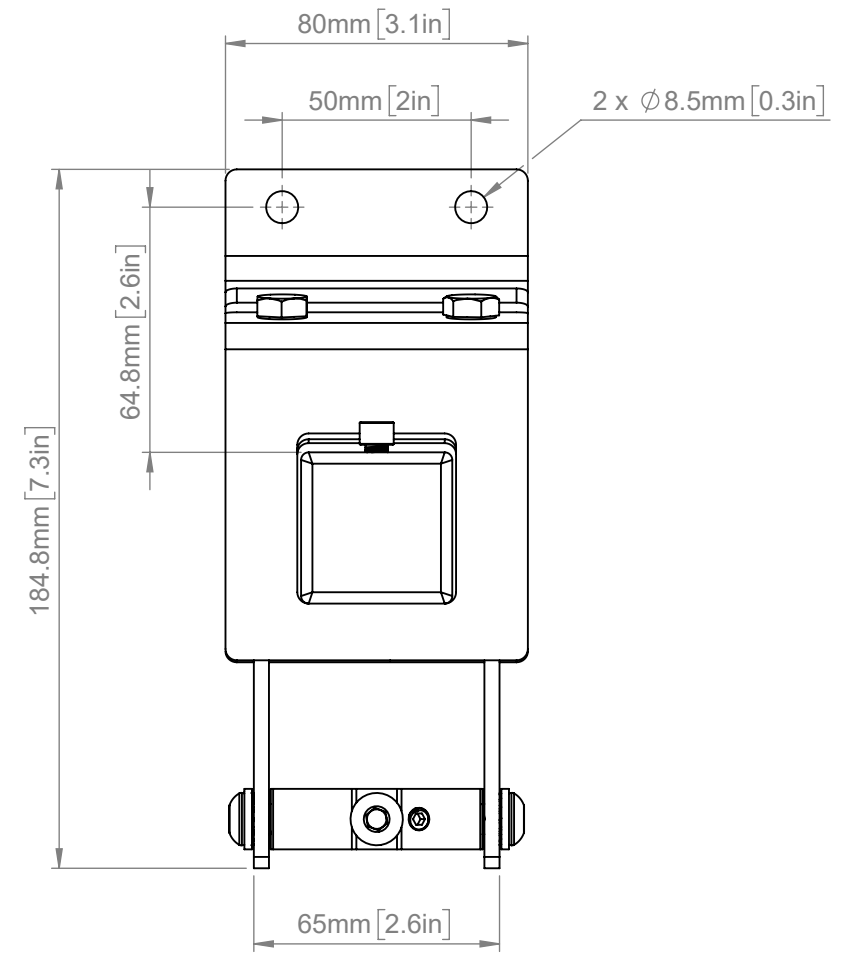
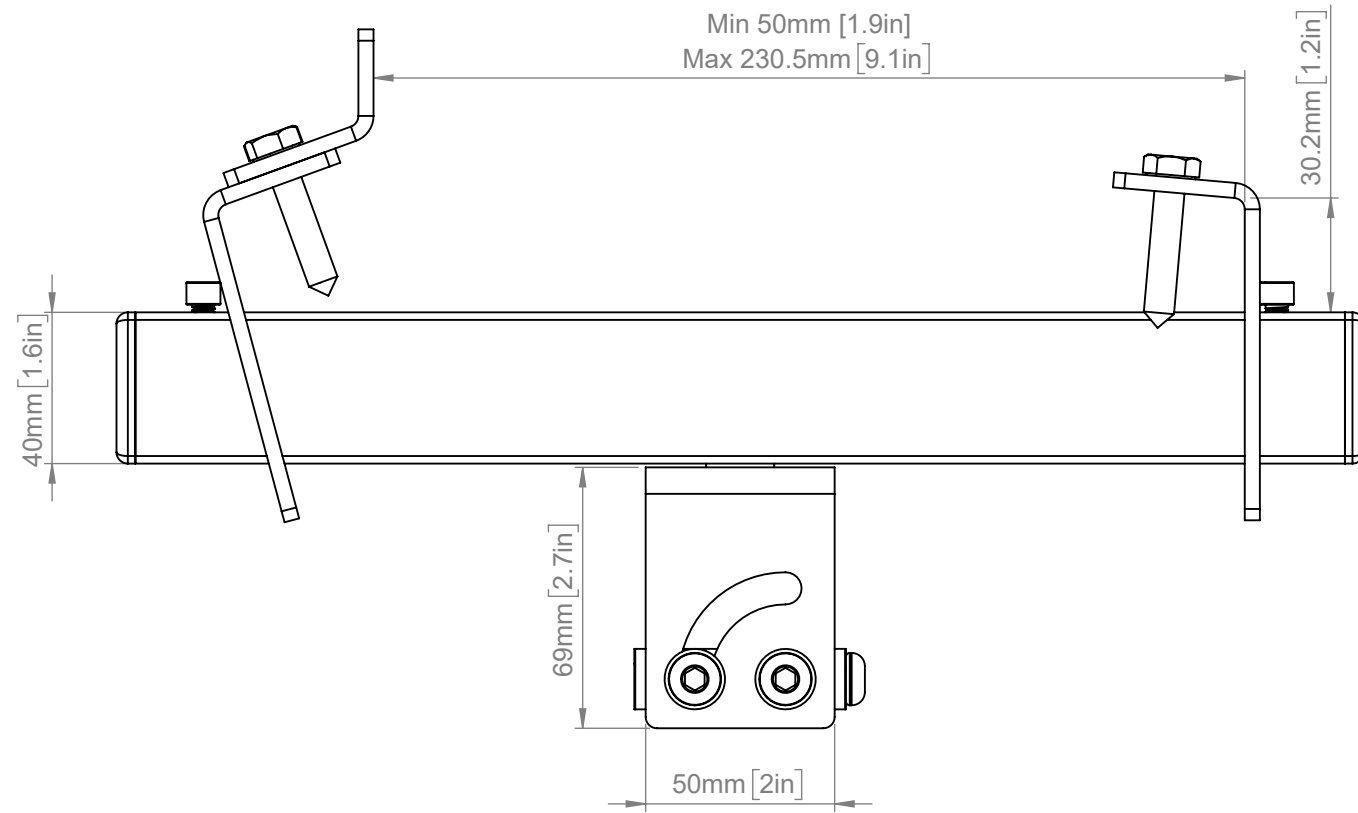



ISOMETRIC VIEW
SCALE: 1 : 3

B-Tech International Design & Manufacturing Limited Part of the B-Tech International Group		B-Tech No: BT5922	
		Title: Girder/Purlin Mount for Ø38mm Poles	
 UNLESS OTHERWISE SPECIFIED DIMENSIONS ARE IN MILLIMETERS	Size: A3	Revision: R00	
	Scale: 1:2	Date: 27/04/2022	
	Sheet: 1 of 2	File Name: BTD-BT5922	



ISOMETRIC VIEW
SCALE: 1 : 3

B-Tech International Design & Manufacturing Limited Part of the B-Tech International Group			B-Tech No:	BT5922
			Title:	Girder/Purlin Mount for Ø38mm Poles
 UNLESS OTHERWISE SPECIFIED DIMENSIONS ARE IN MILLIMETERS	Size:	A3	Revision:	R00
	Scale:	1:2	Date:	27/04/2022
	Sheet:	2 of 2	File Name:	BTD-BT5922