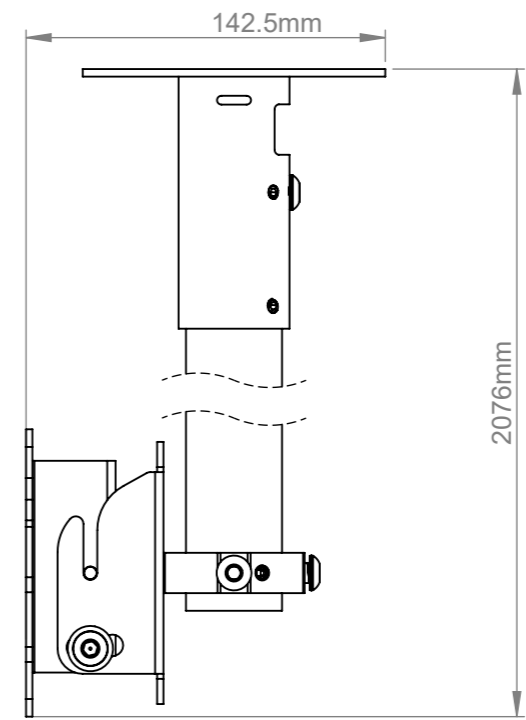
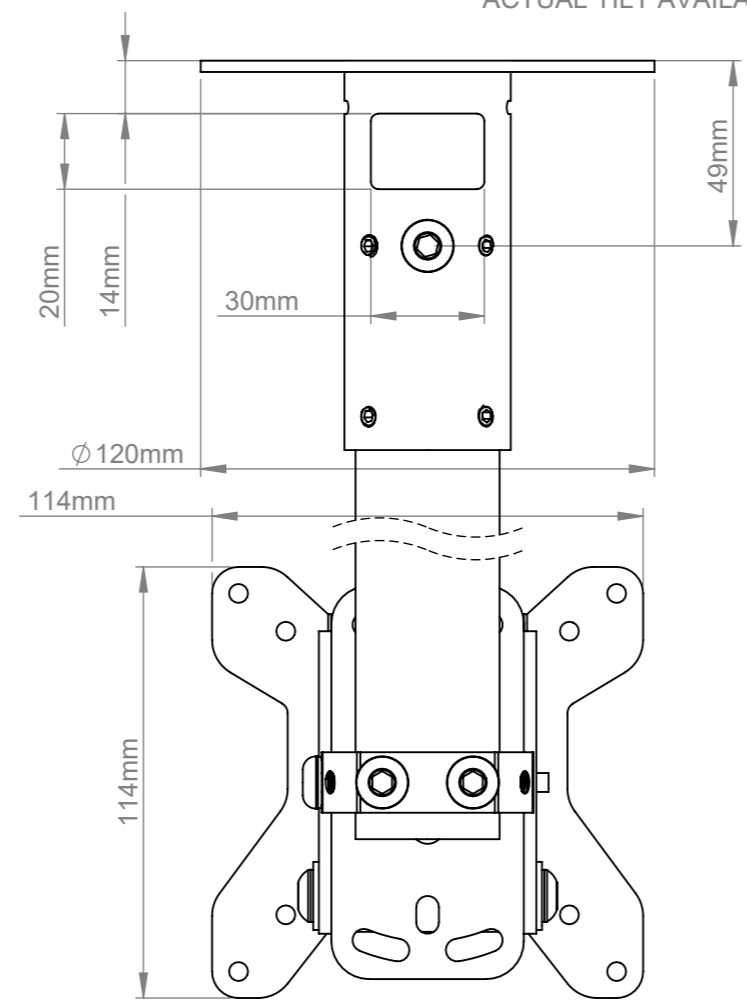
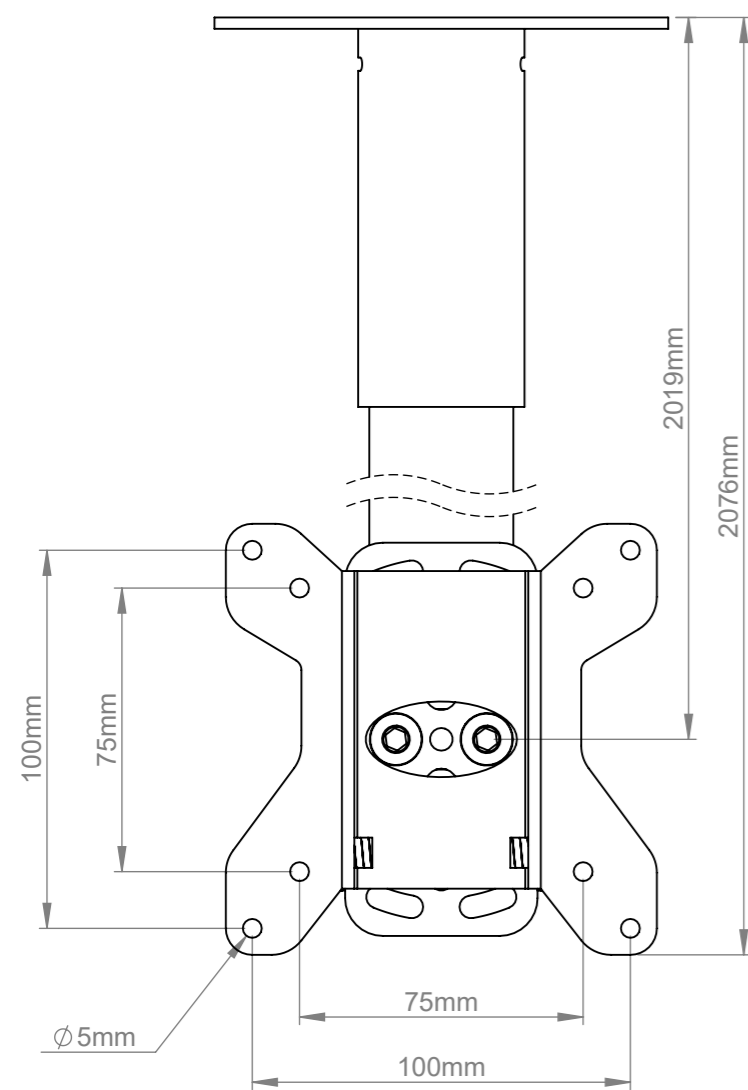


MAX TILT UP MOUNTED  
ACTUAL TILT AVAILABLE DEPENDENT ON SCREEN SIDE

MAX TILT DOWN MOUNTED

ISOMETRIC VIEW  
SCALE: 1 : 8



**B-Tech International Design & Manufacturing Limited**  
Part of the B-Tech International Group

<b>B-Tech No:</b>	BT5971-FD200
<b>Title:</b>	SYSTEM V - Flat Screen Ceiling Mount for VESA 100 Tilt Screens - 2m
<b>Revision:</b>	R01
<b>Date:</b>	10/02/2021
<b>File Name:</b>	BTD-BT5971-FD200

	UNLESS OTHERWISE SPECIFIED DIMENSIONS ARE IN MILLIMETERS	<b>Size:</b>	A3
		<b>Scale:</b>	1:2
		<b>Sheet:</b>	1 of 1

B-Tech International Design and Manufacturing Limited makes no representation or warranties, express or implied, with respect to the reuse of the data provided herewith, regardless of its format or the means of its transmission. B-Tech International Design and Manufacturing Limited makes every effort to provide accurate information, however there is no guarantee or representation to the user as to the accuracy, currency, suitability or reliability of this data. The user assumes all risks associated with its use. B-Tech International Design and Manufacturing Limited assumes no responsibility for actual or consequential damage incurred as a result of any user's reliance on this data.