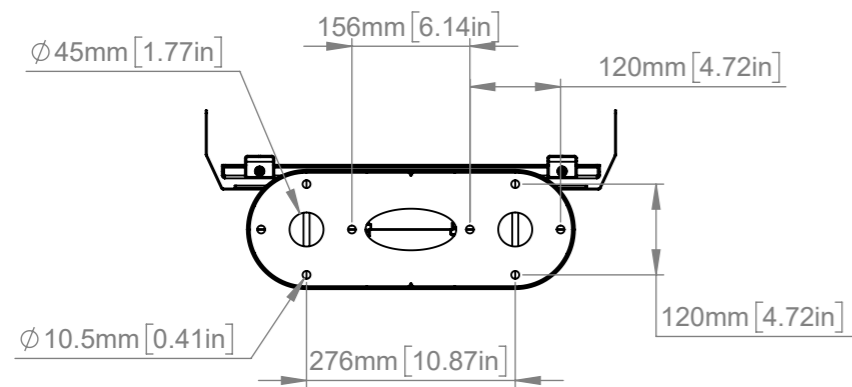


ISOMETRIC VIEW



B-Tech AV Mounts Corporation Limited				B-Tech No: BT7104-4350
				Title: Bolt-Down Twin Pole Stand with Enclosure For 43-50" Displays
	UNLESS OTHERWISE SPECIFIED DIMENSIONS ARE IN MILLIMETERS	Size: A3	Revision: R00	
		Scale: 1:10	Date: 07/05/2026	
		Sheet: 1 of 1	File Name: BTD-BT7104-4350	