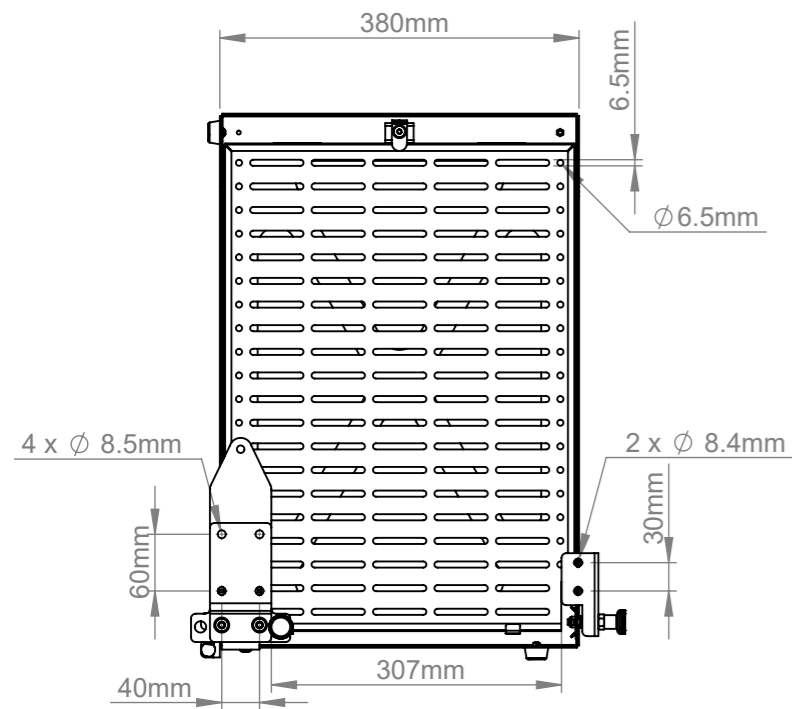
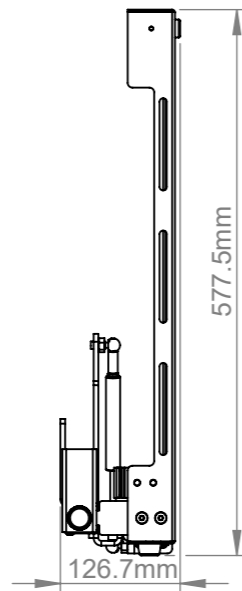


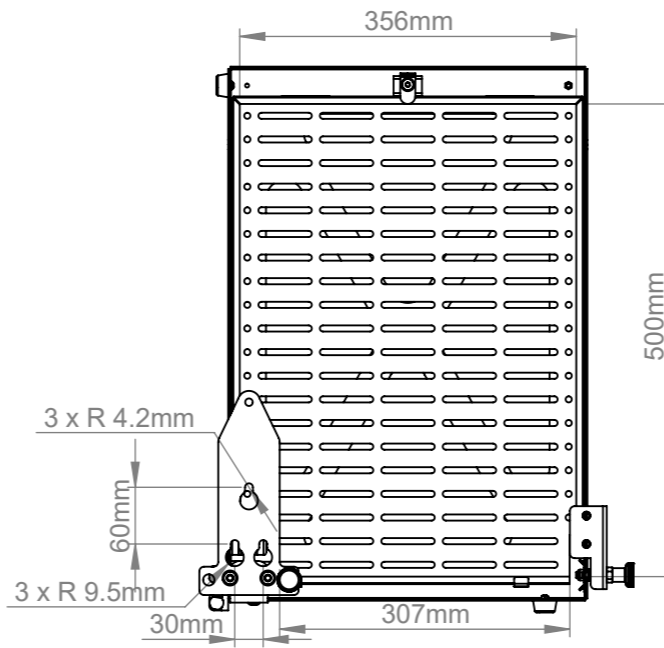
I. PORTRAIT CONFIGURATION



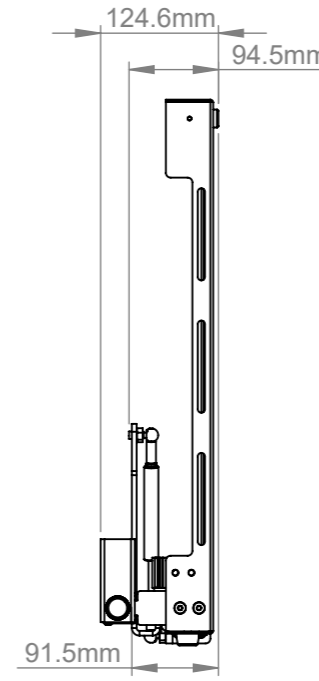
CLOSED FRONT VIEW
Included Connector Front Plate



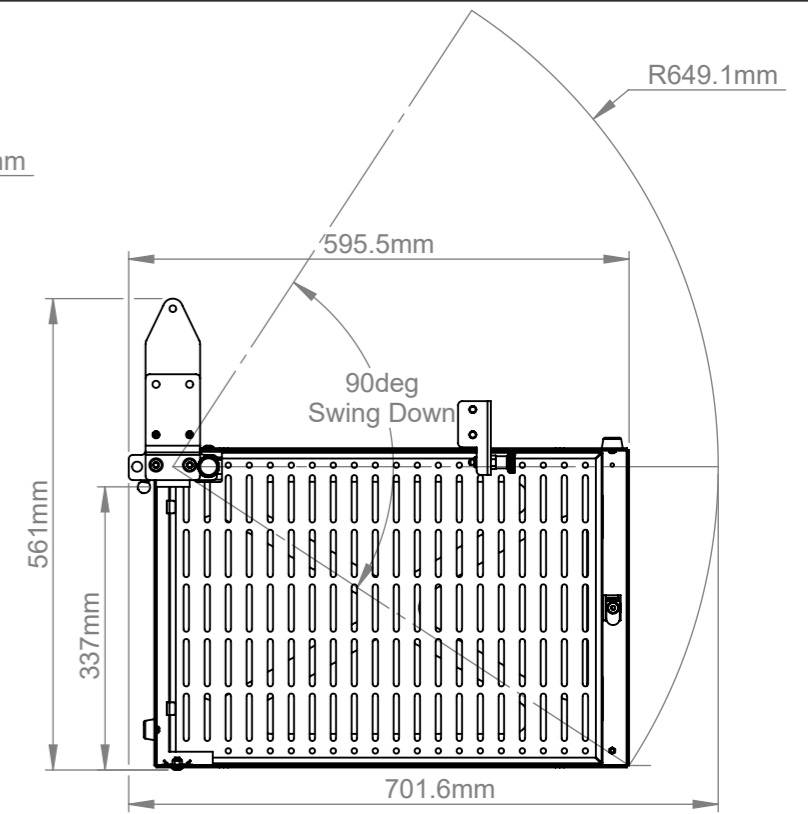
CLOSED SIDE VIEW
Included Connector Front Plate



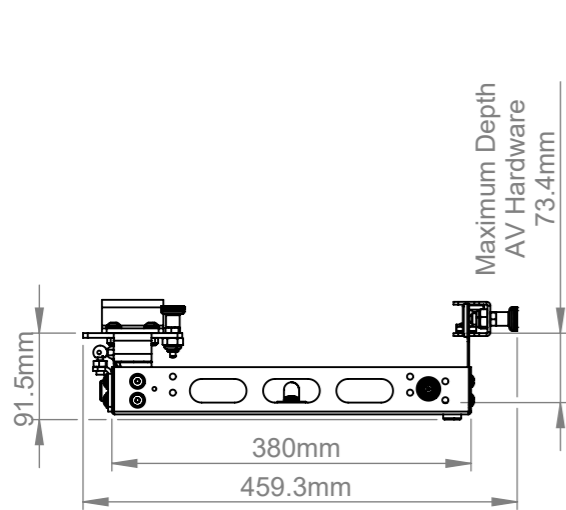
CLOSED FRONT VIEW
Excluded Connector Front Plate



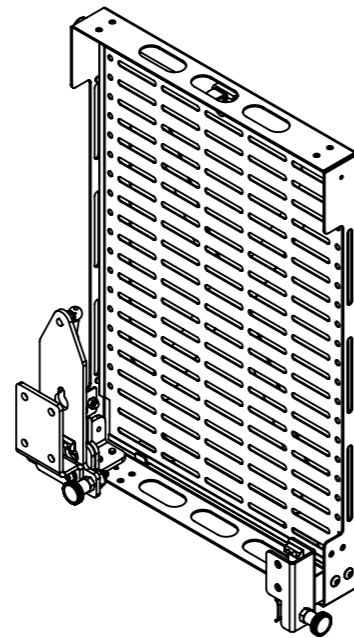
CLOSED SIDE VIEW
Excluded Connector Front Plate



OPEN FRONT VIEW
SCALE 1 : 9

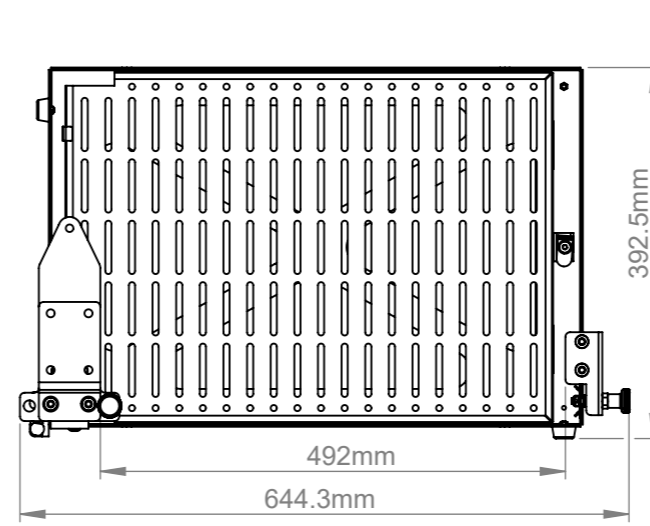


CLOSED BOTTOM VIEW
Included Connector Front Plate

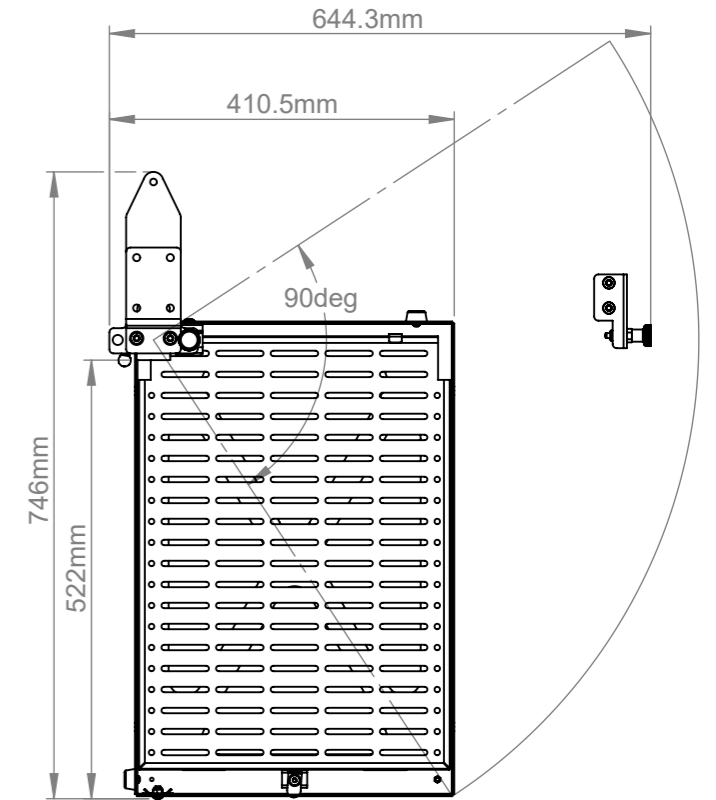
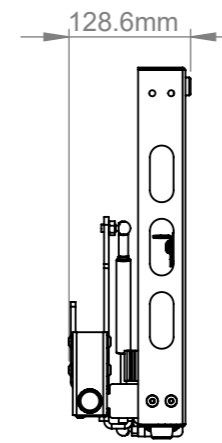


ISOMETRIC VIEW

II. LANDSCAPE CONFIGURATION



CLOSED FRONT VIEW



OPEN FRONT VIEW
SCALE 1 : 9

B-Tech International Design & Manufacturing Limited
Part of the B-Tech International Group

B-Tech No: BT7884

Title: Swing Down AV Storage Tray



UNLESS OTHERWISE SPECIFIED DIMENSIONS ARE IN MILLIMETERS

Size: A3

Scale: 1:8

Sheet: 1 of 1

Revision: R00

Date: 04/10/2019

File Name: BTD-BT7884