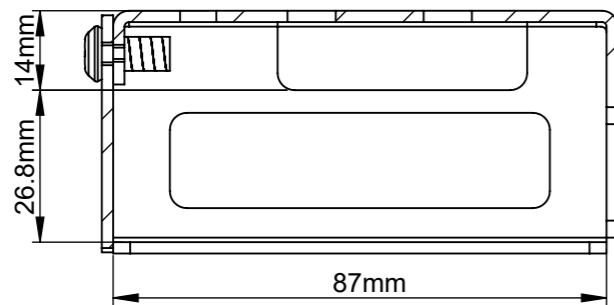
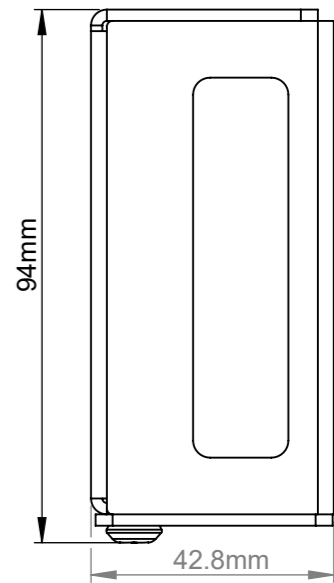
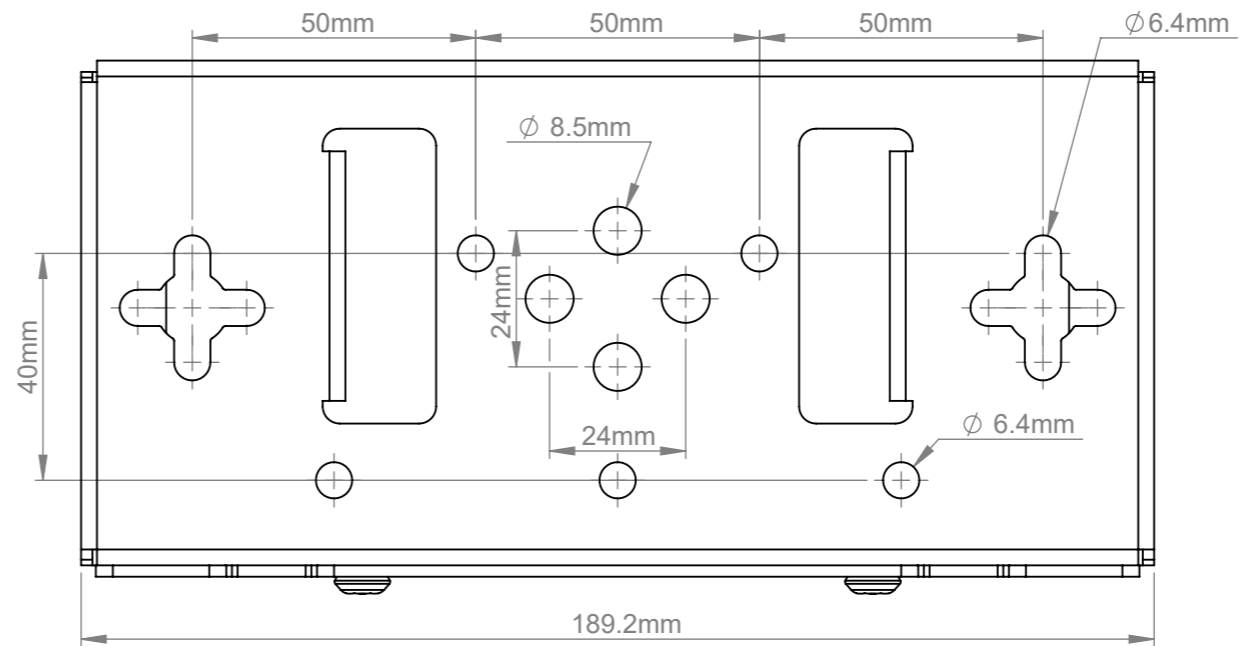
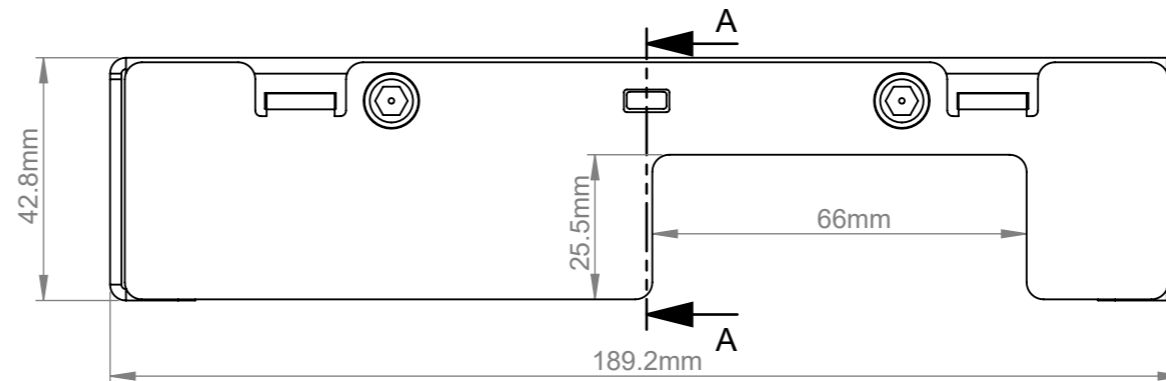


ISOMETRIC VIEW
SCALE: 1 : 2



SECTION A-A



B-Tech International Design & Manufacturing Limited
Part of the B-Tech International Group

B-Tech No: BT7886

Title: Mersive Solstice Pod Mounting Cradle



UNLESS OTHERWISE SPECIFIED DIMENSIONS ARE IN MILLIMETERS

Size: A3

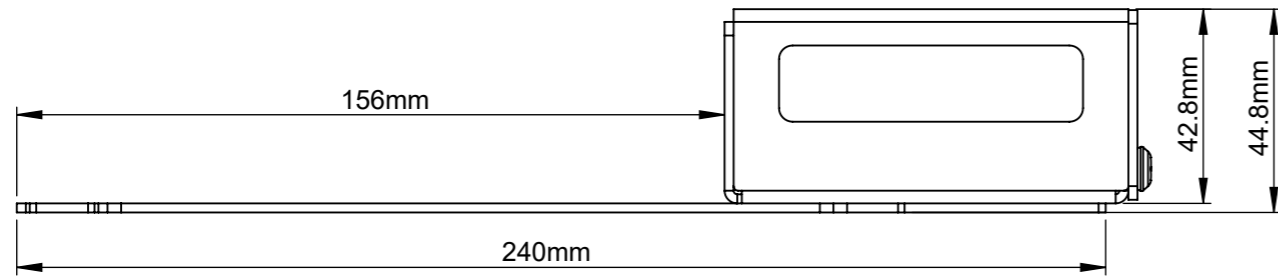
Scale: 3:4

Sheet: 1 of 2

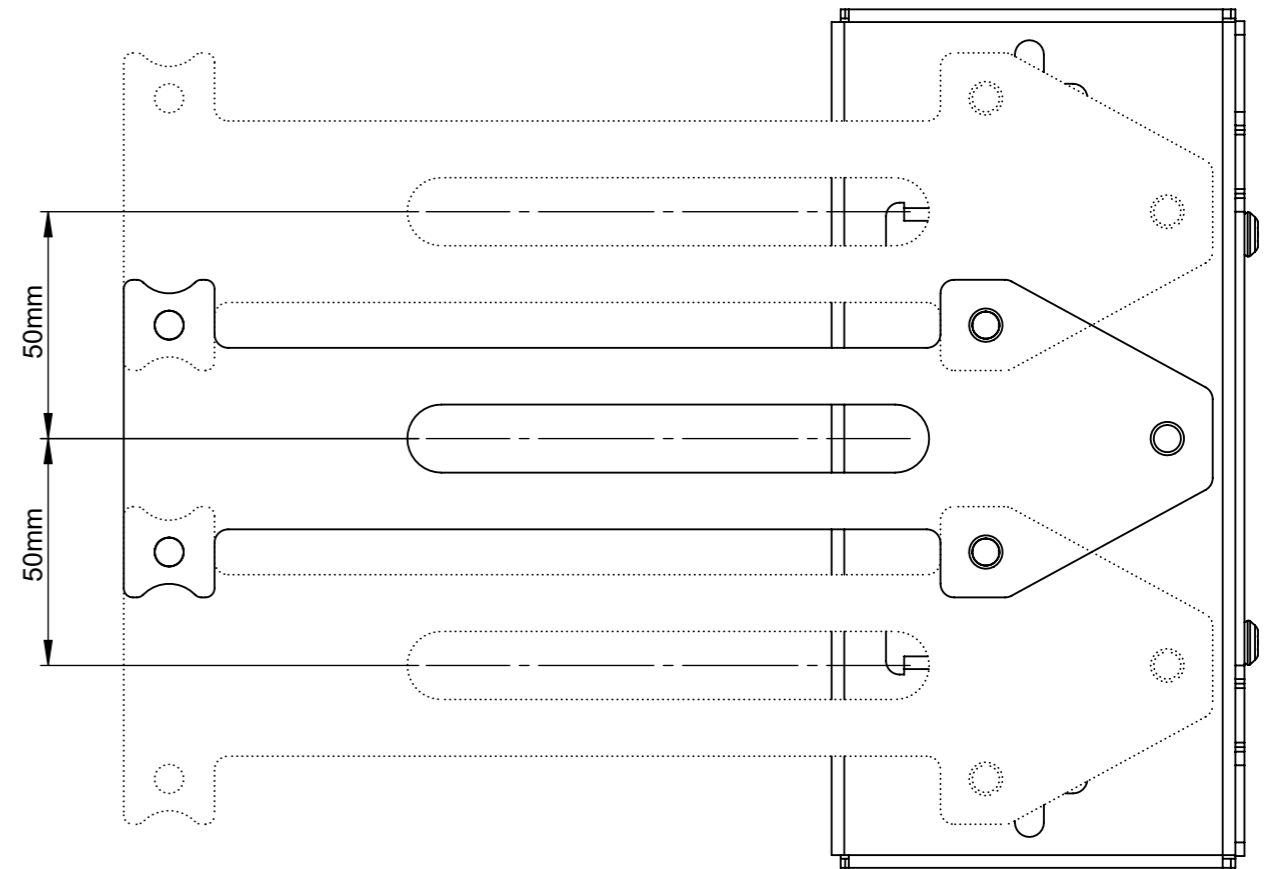
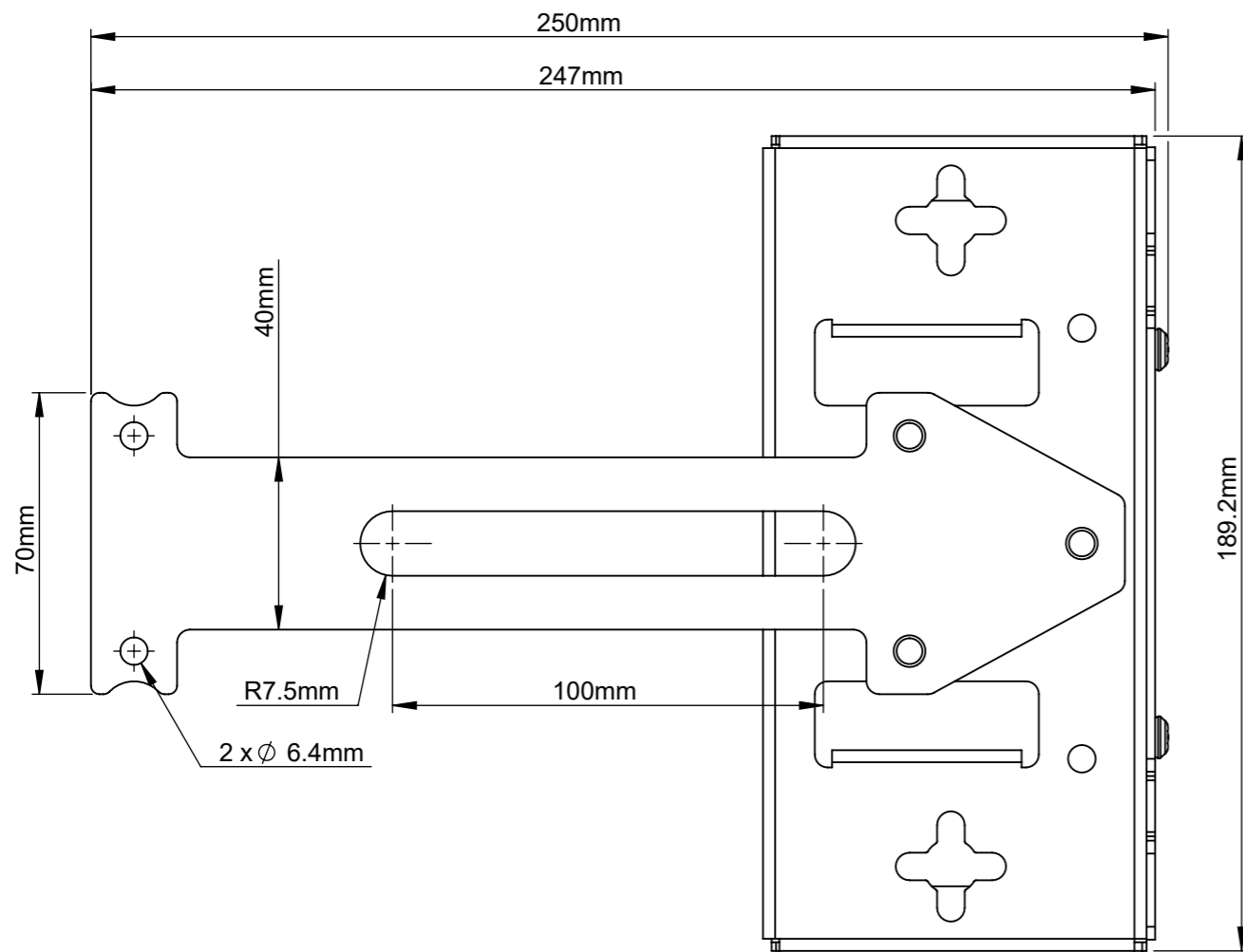
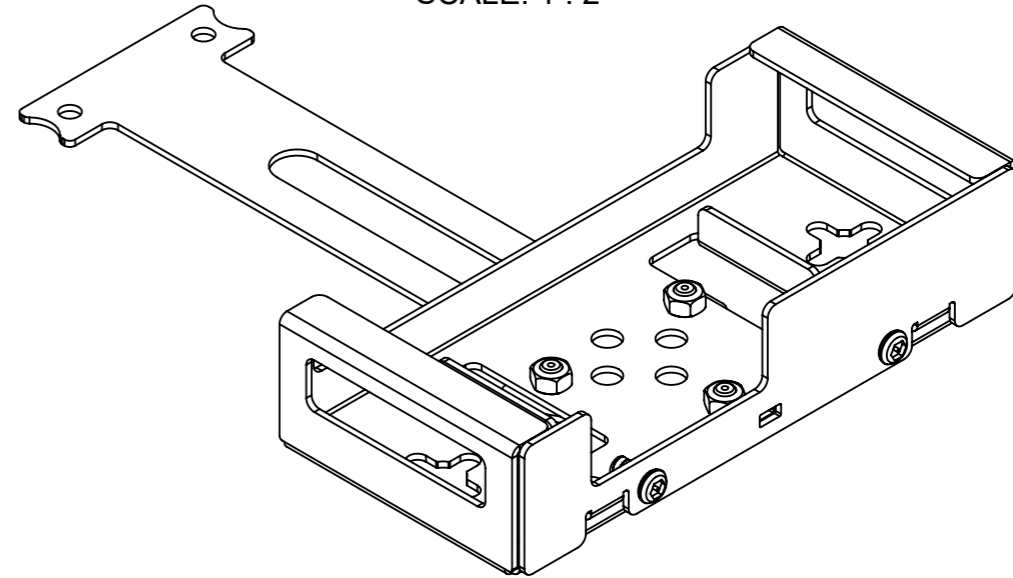
Revision: R00


Date: 22/09/2020

File Name: BTD-BT7886



ISOMETRIC VIEW
SCALE: 1 : 2



B-Tech International Design & Manufacturing Limited Part of the B-Tech International Group		B-Tech No: BT7886
		Title: Mersive Solstice Pod Mounting Cradle
 UNLESS OTHERWISE SPECIFIED DIMENSIONS ARE IN MILLIMETERS	Size: A3	Revision: R00
	Scale: 6:10	Date: 22/09/2020
	Sheet: 2 of 2	File Name: BTD-BT7886