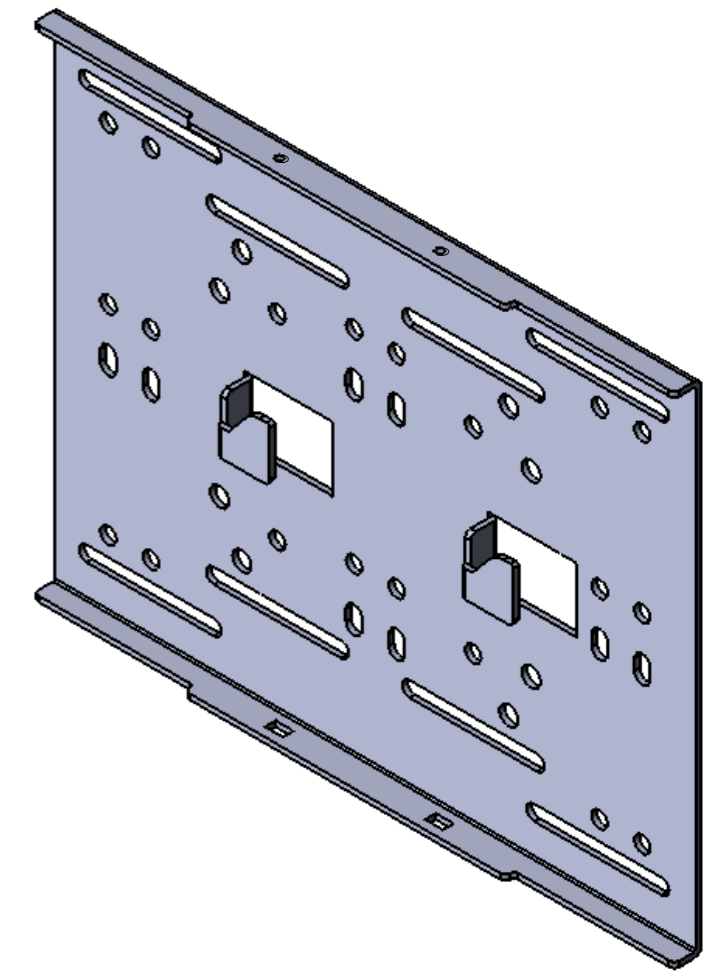
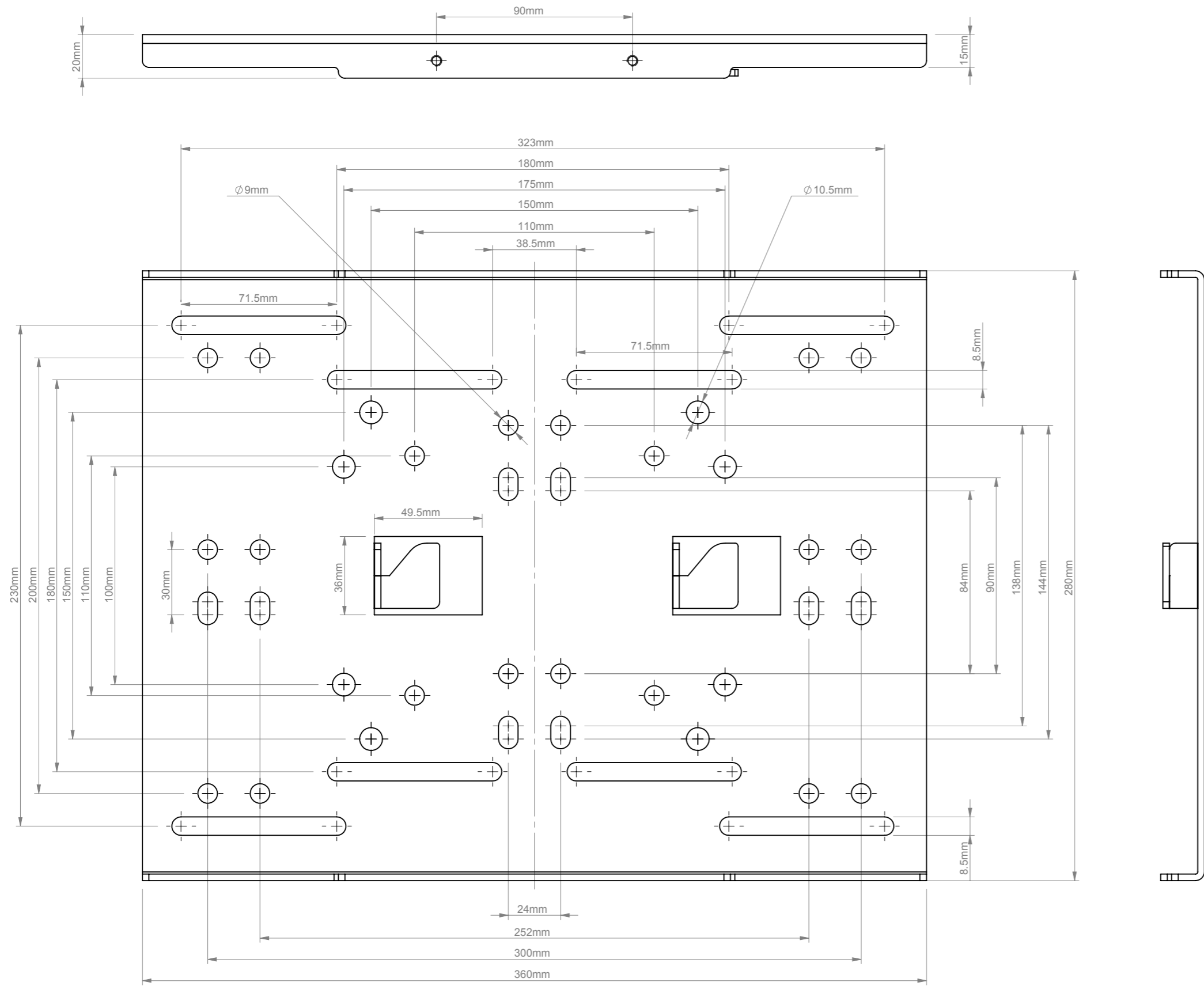



THE INFORMATION CONTAINED IN THIS DRAWING IS THE SOLE PROPERTY OF B-TECH INTERNATIONAL DESIGN AND MANUFACTURING LIMITED, ANY REPRODUCTION IN PART OR WHOLE WITHOUT THE WRITTEN PERMISSION OF B-TECH INTERNATIONAL DESIGN AND MANUFACTURING LIMITED IS PROHIBITED.



B-Tech International Design and Manufacturing Limited		B-Tech No: BT8009
Part of the B-Tech International Group of Companies		Version: 1.1
 <p>UNLESS OTHERWISE SPECIFIED DIMENSIONS ARE IN MILLIMETERS</p>	Title: Mounting Plate	
	Revision: 0.4	
	File Name: SMP-00208-R0.4	
Sheet: 1 of 1	Date: 25/08/2015	