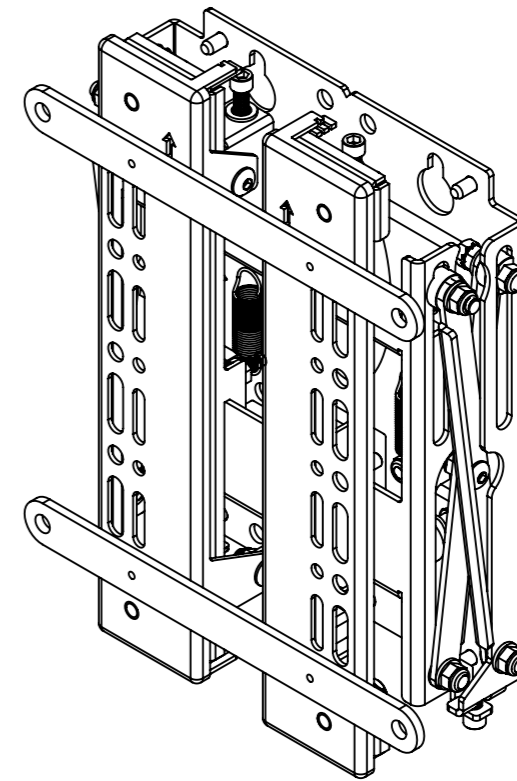
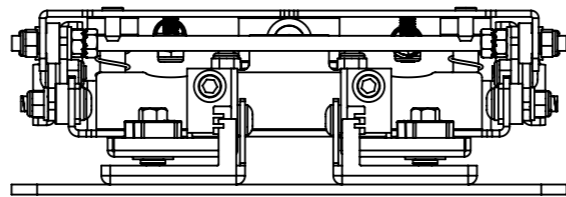


Top View



Side View - Popped In

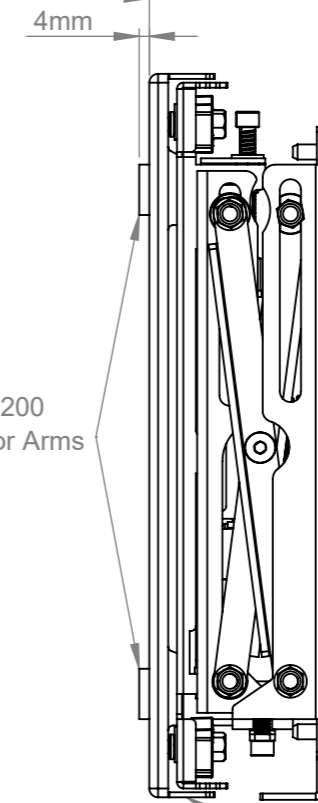
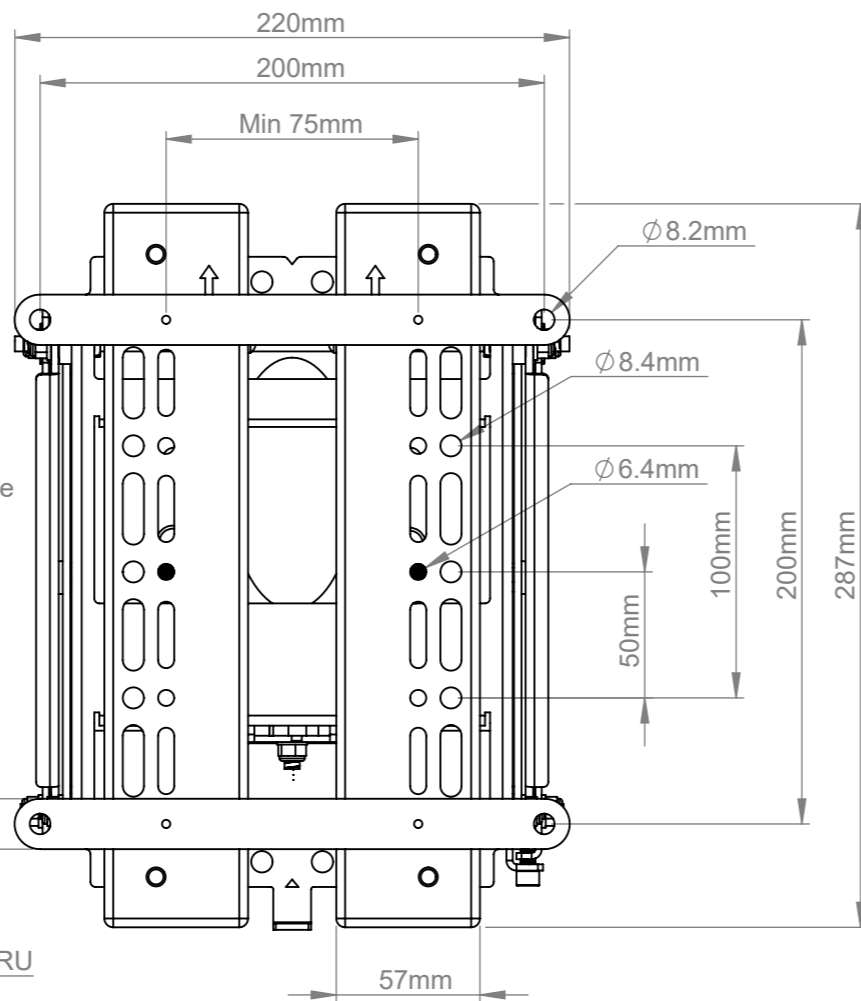
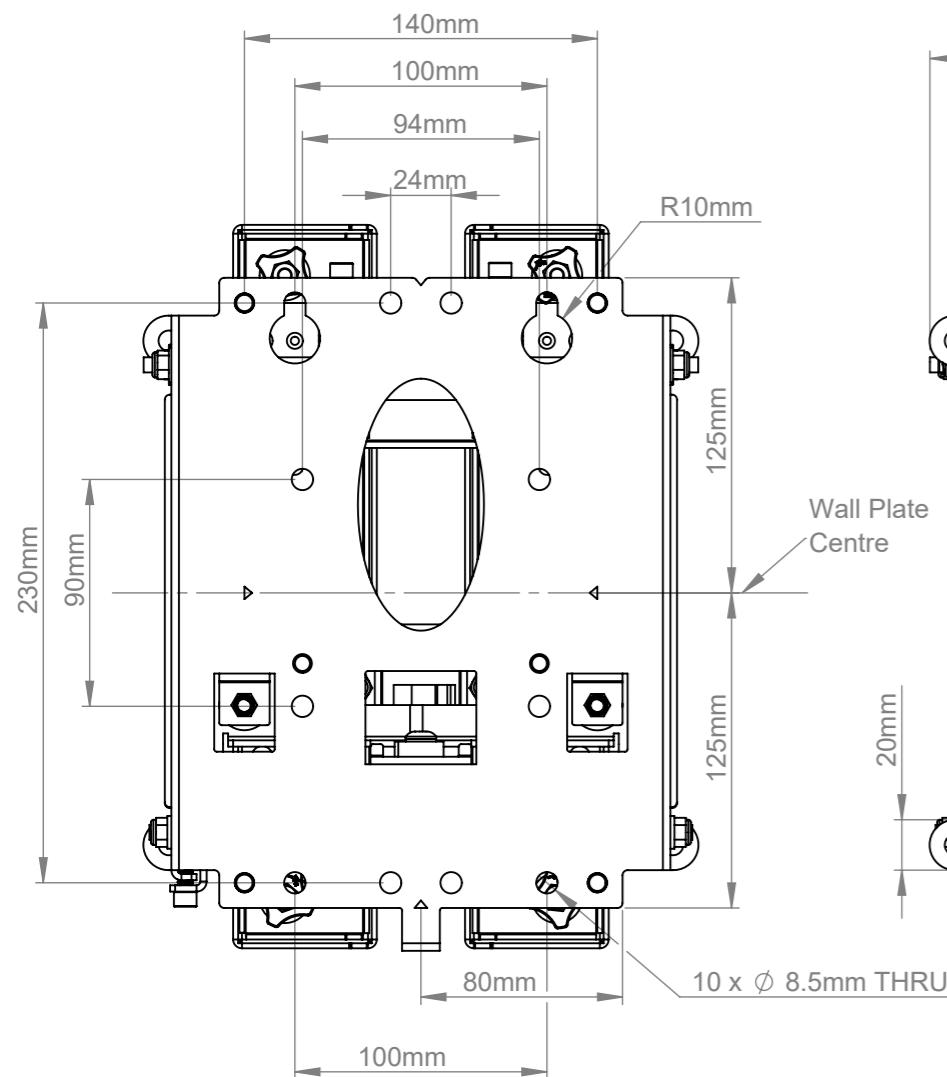
Side View - Popped Out

Min: 64mm +/- 1.5mm
Mid: 69mm +/- 1.5mm
Max: 74mm +/- 1.5mm

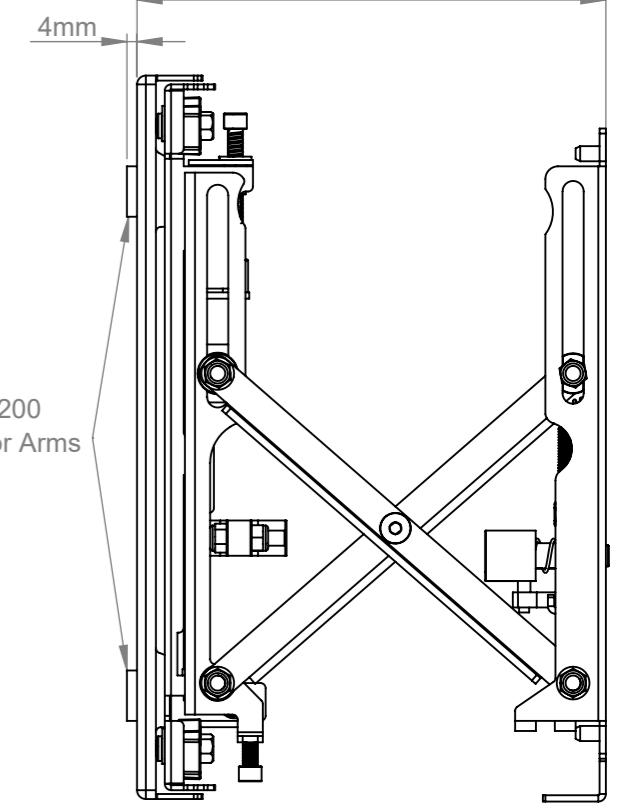
Min: 181mm +/- 1.5mm
Mid: 186mm +/- 1.5mm
Max: 191mm +/- 1.5mm

Rear View

Front View



VESA 200
Adaptor Arms



VESA 200
Adaptor Arms

Interface arms are set at the lowest point.
Height adjustment range: 12mm

B-Tech International Design & Manufacturing Limited
Part of the B-Tech International Group of Companies

B-Tech No: BT8309

Title: Pop-out Flat Screen Wall Mount - With Micro Adjustment



UNLESS OTHERWISE SPECIFIED DIMENSIONS ARE IN MILLIMETERS

Size: A3

Scale: 1:5

Sheet: 1 of 1

Revision: R00

Date: 22/03/2018

File Name: BTD-BT8309