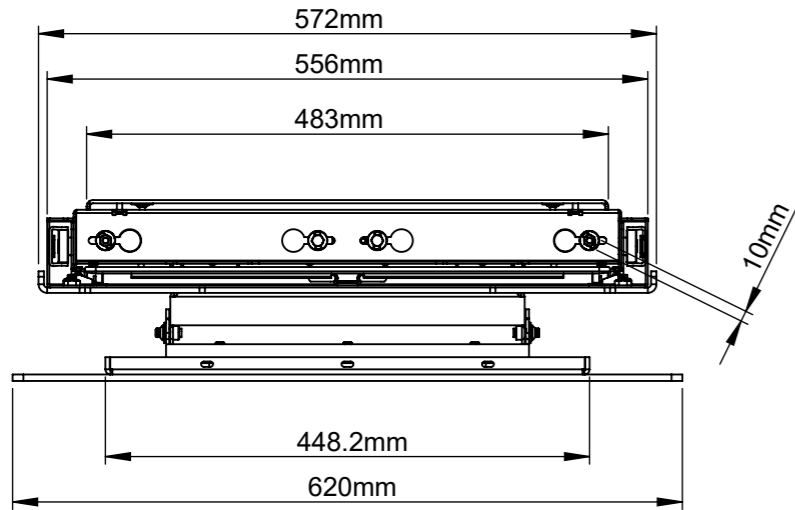
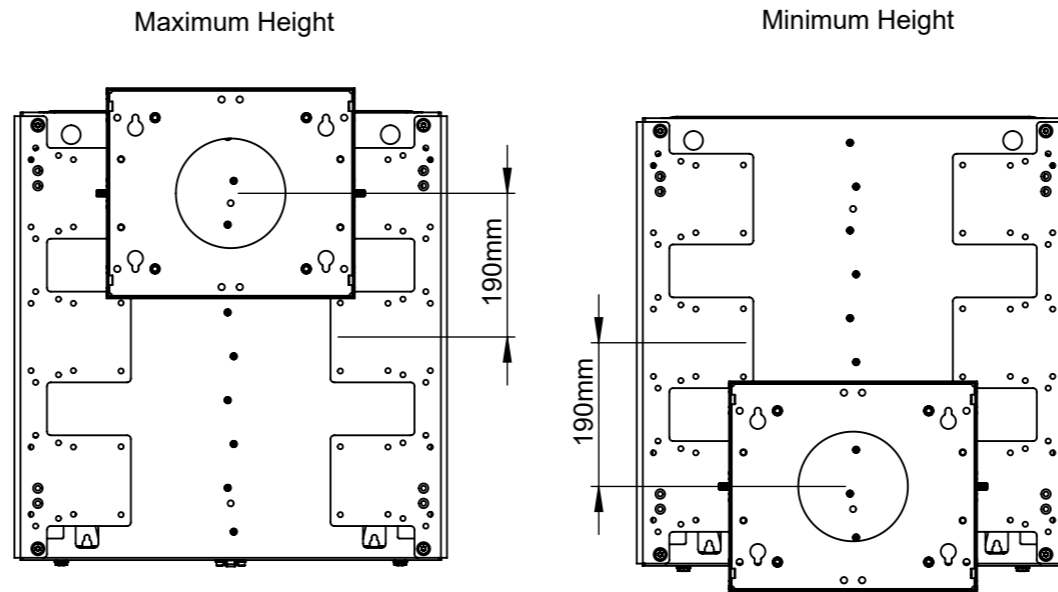


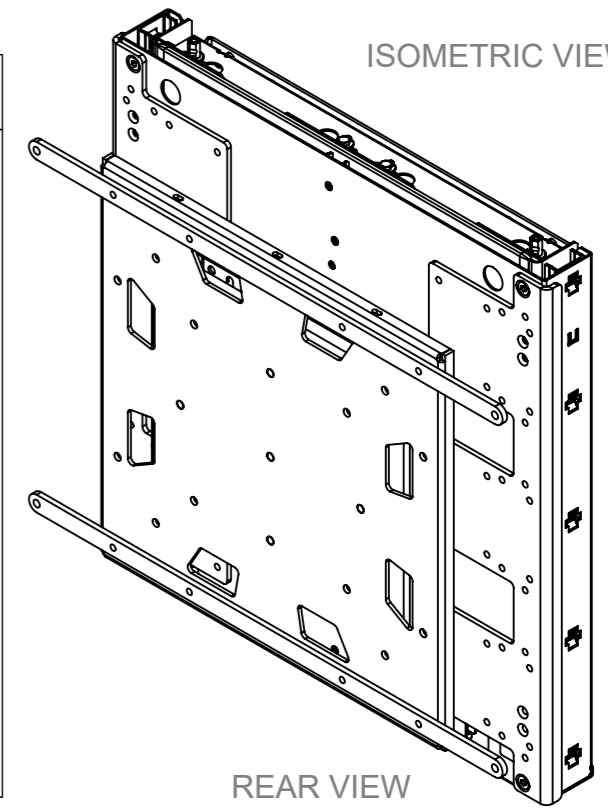
TOP VIEW



Height Options

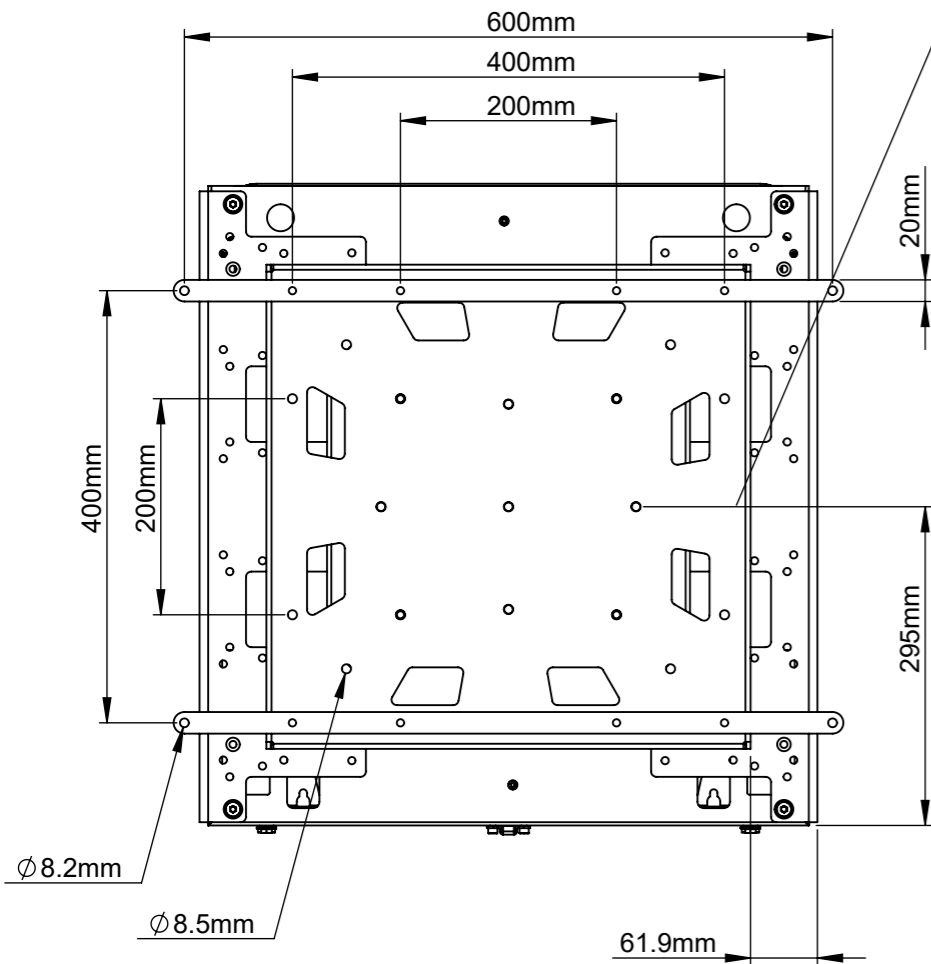


ISOMETRIC VIEW

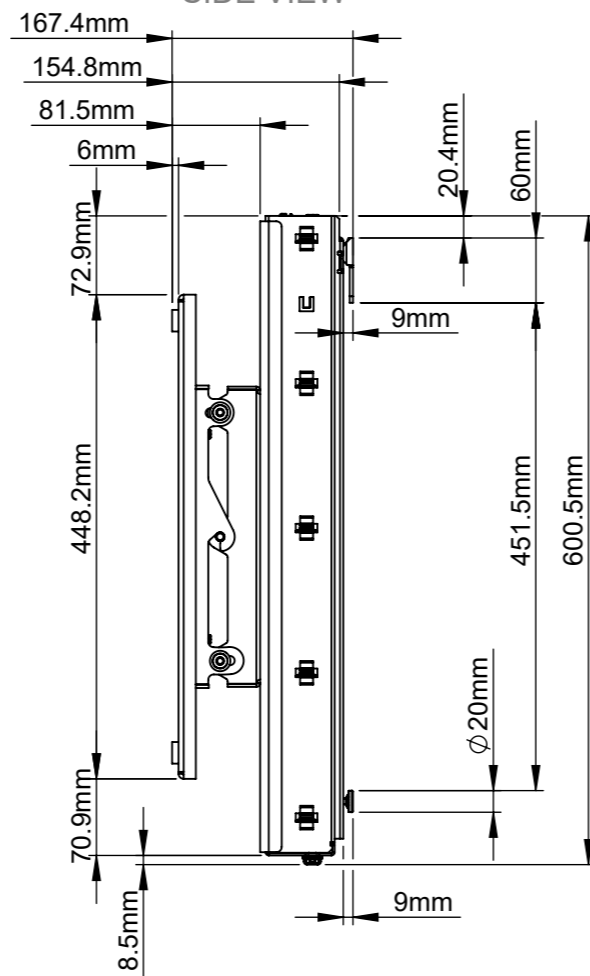


REAR VIEW

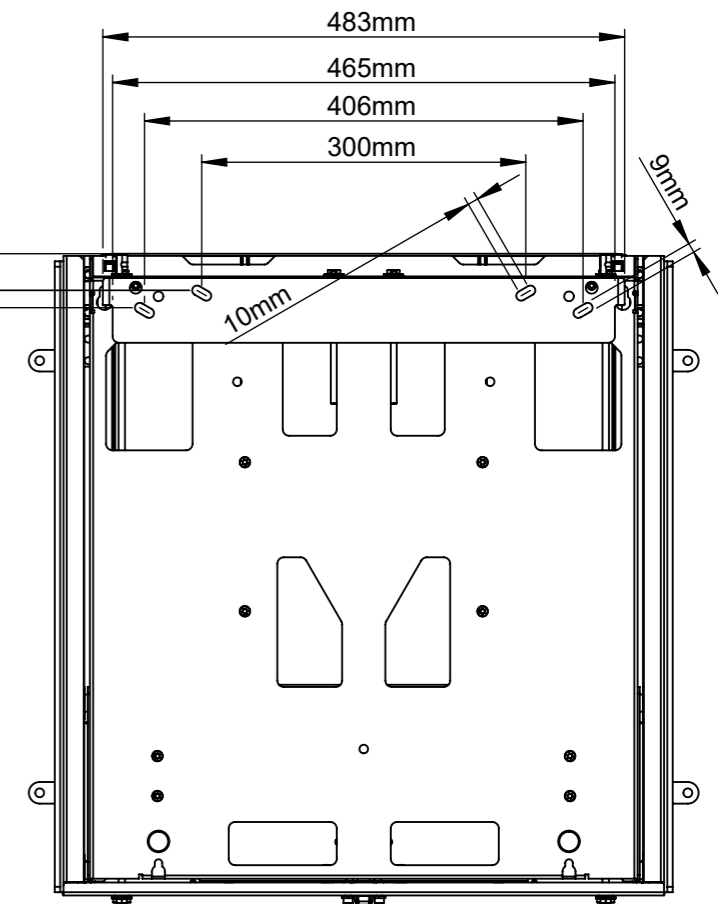
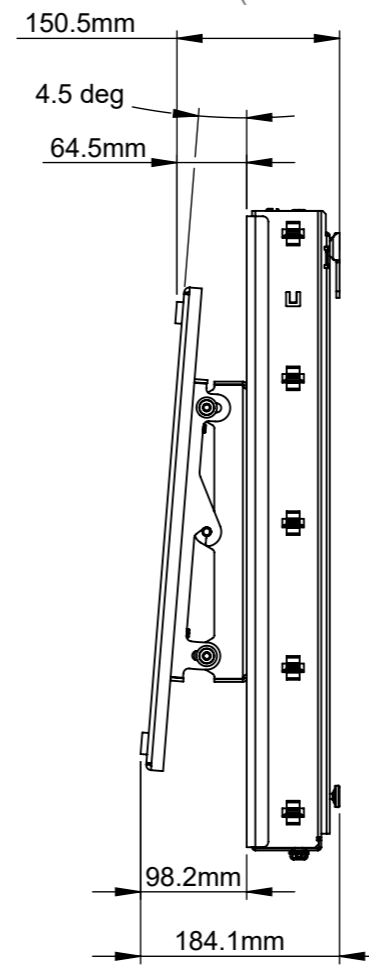
FRONT VIEW



SIDE VIEW



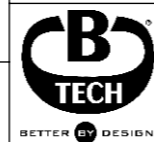
SIDE VIEW (-4.5° TILT)



**B-Tech International Design & Manufacturing Limited**  
Part of the B-Tech International Group

**B-Tech No:** BT8603-02

**Title:** Rotational Flip Mount with Tool-less Height Adjustment (Load: 51-70kg)



UNLESS OTHERWISE SPECIFIED DIMENSIONS ARE IN MILLIMETERS

**Size:** A3

**Scale:** 1:7

**Sheet:** 1 of 1

**Revision:** R00

**Date:** 05/09/2019

**File Name:** BTD-BT8603-02