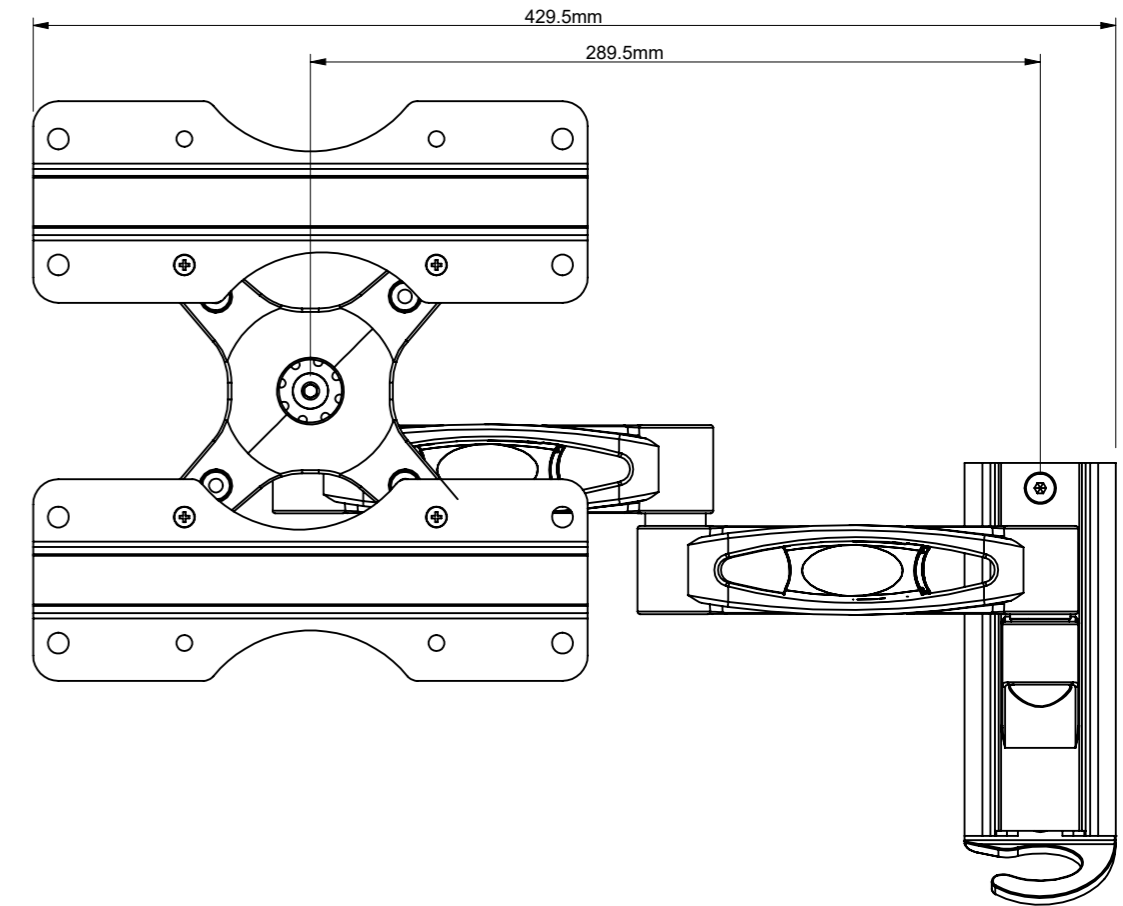
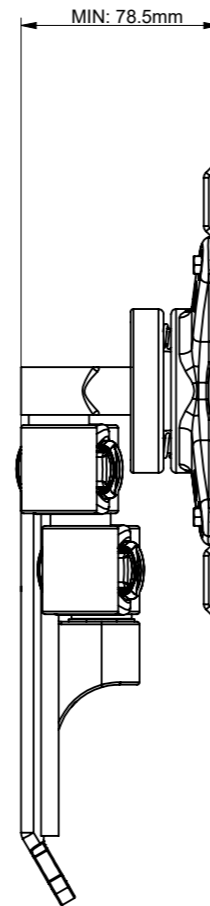
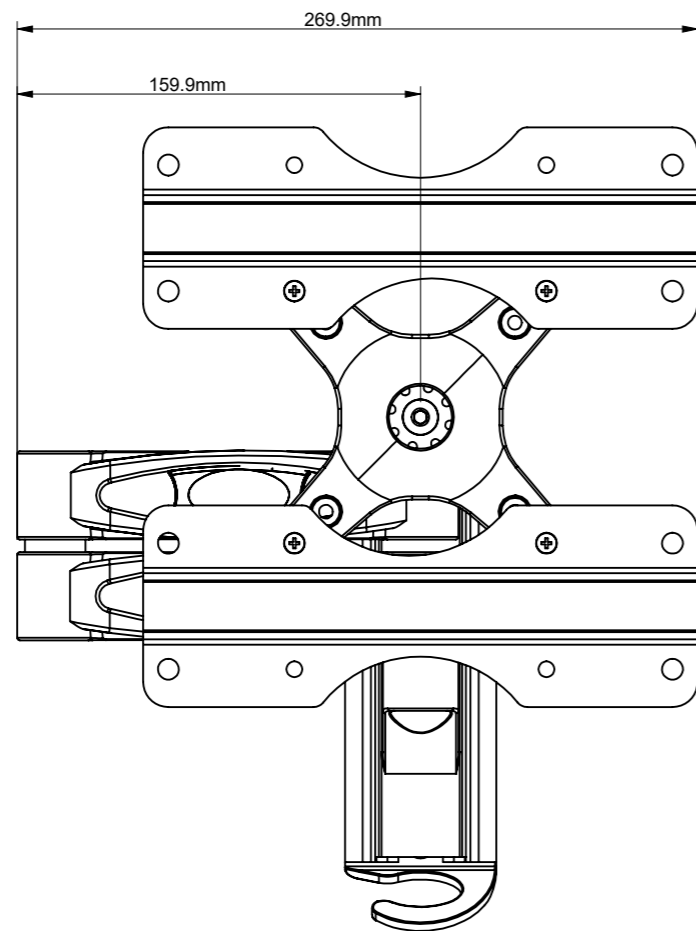
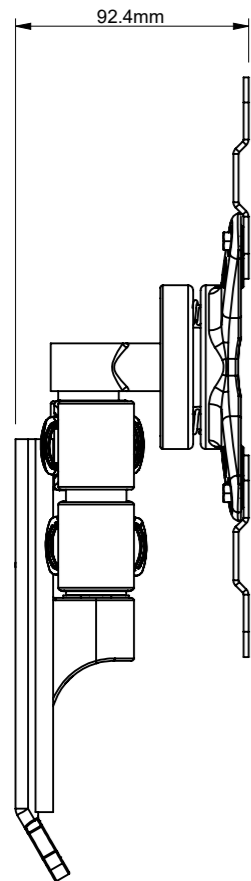
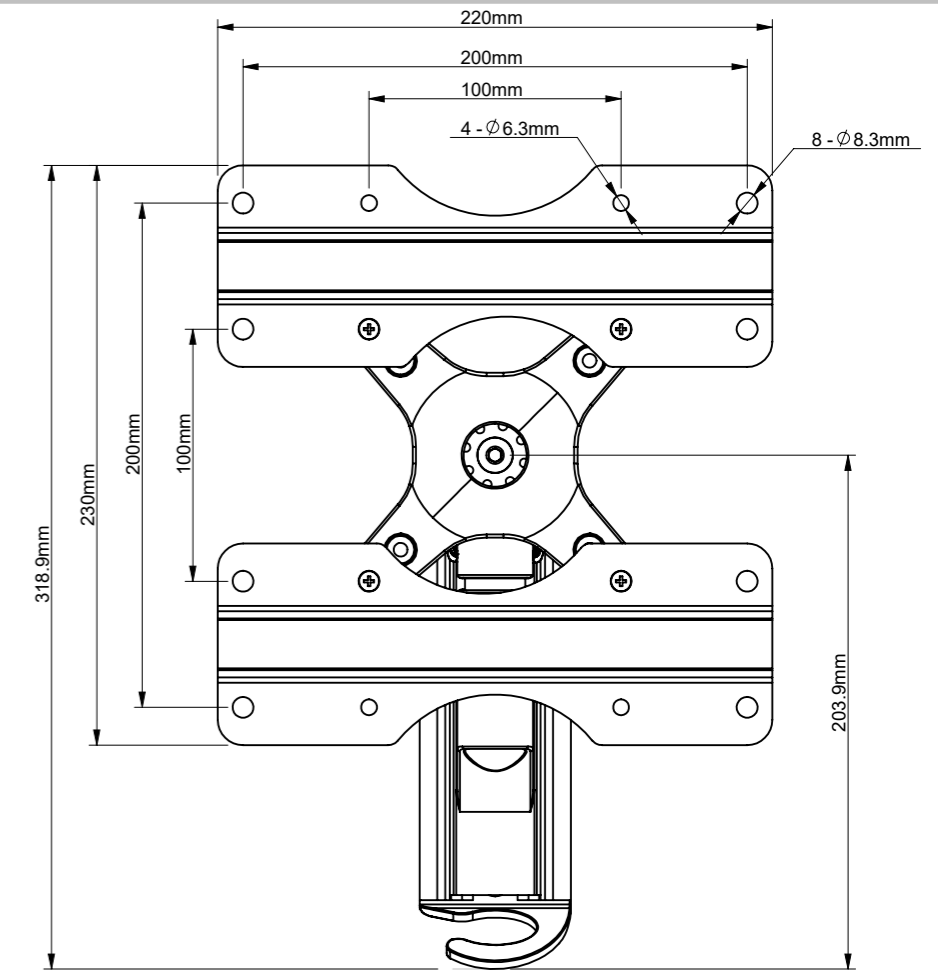
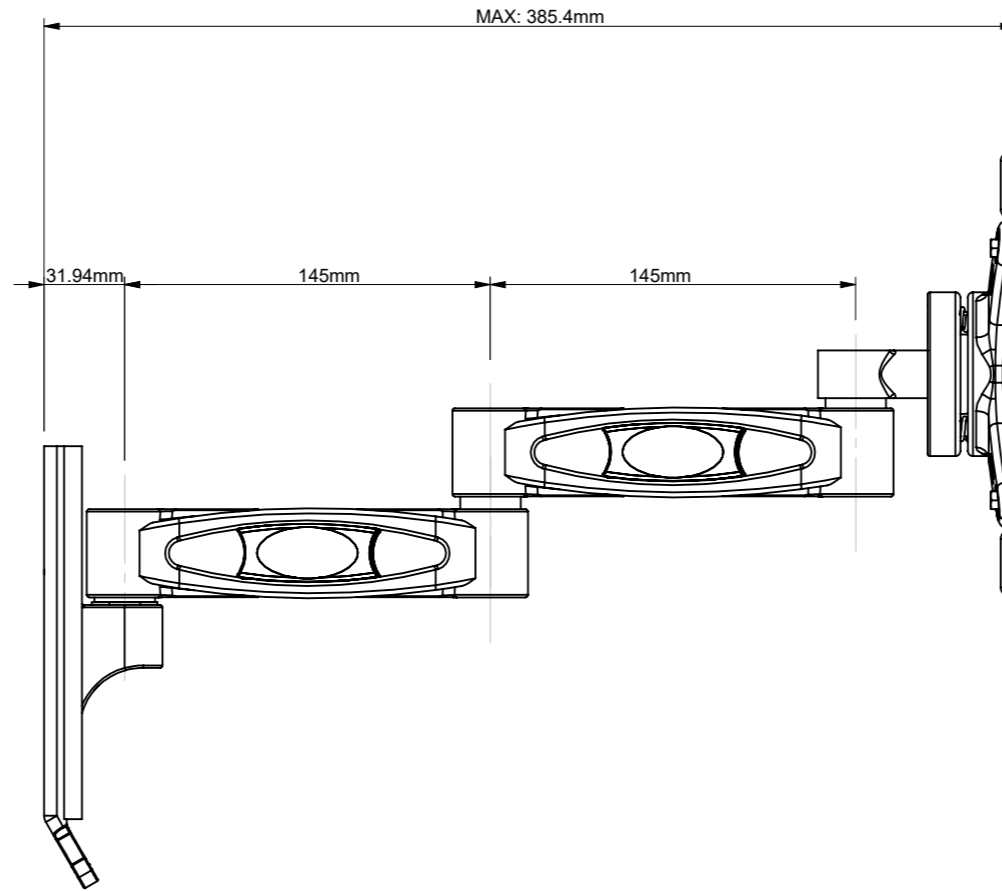
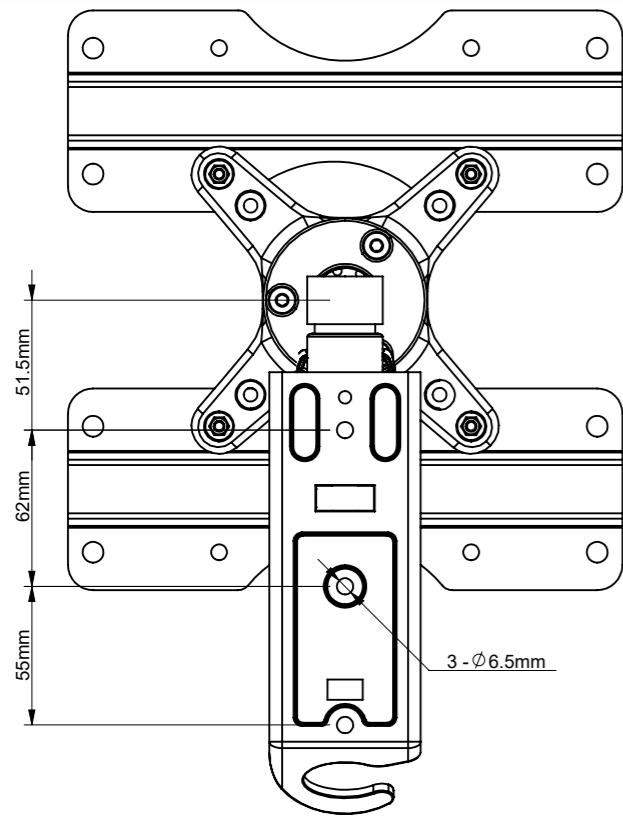

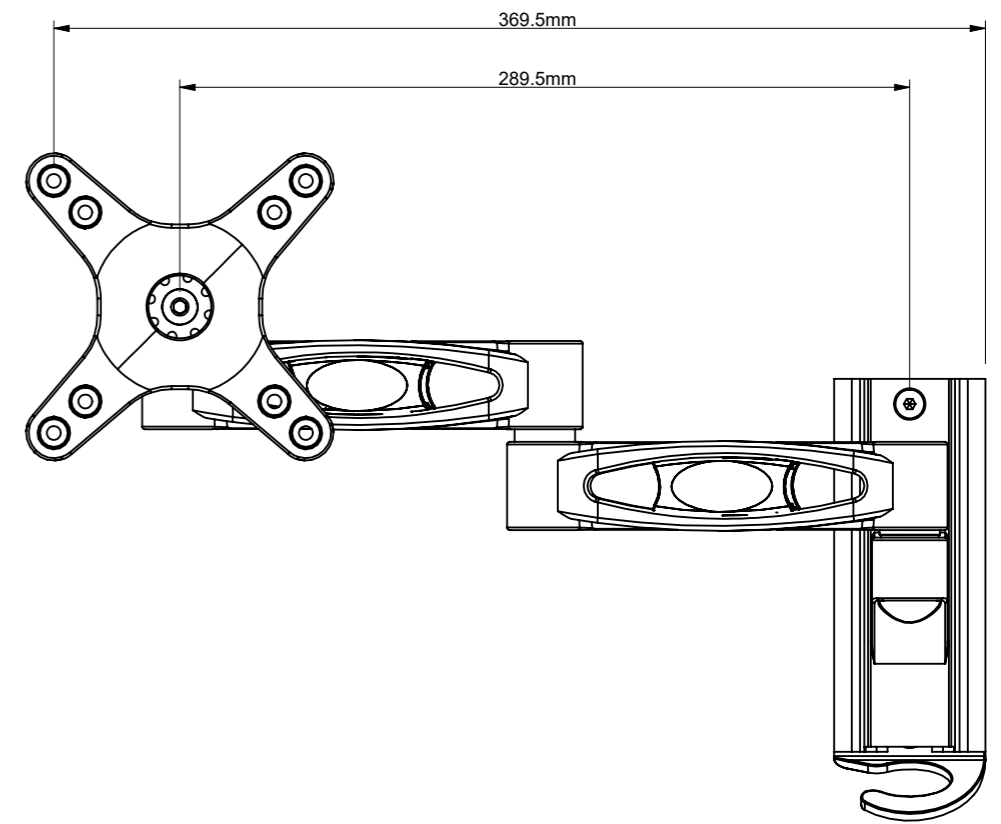
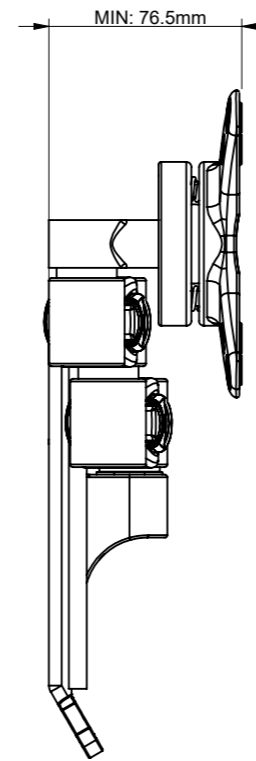
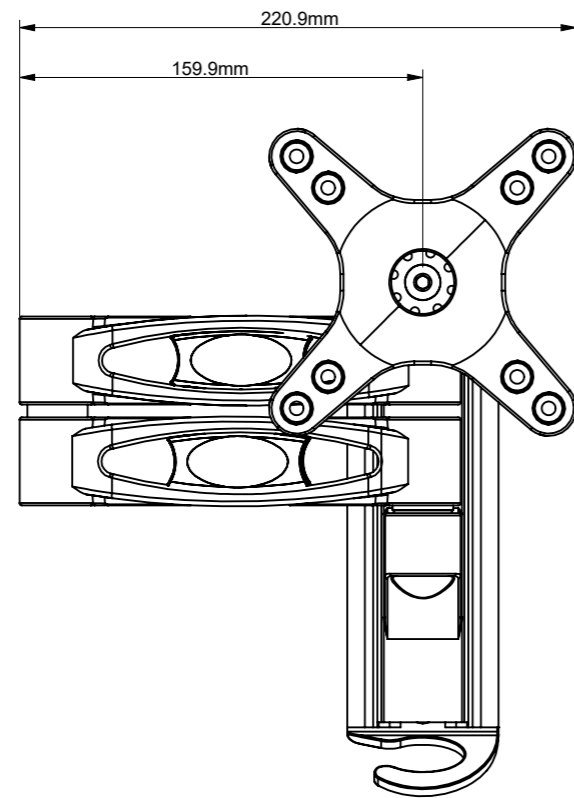
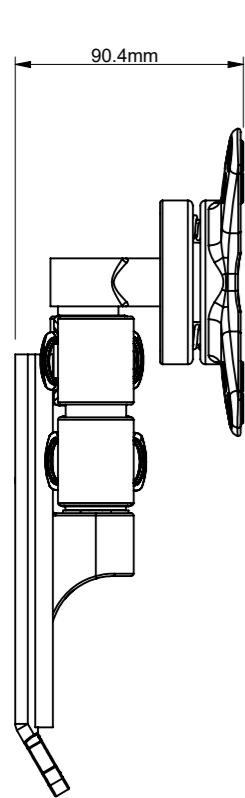
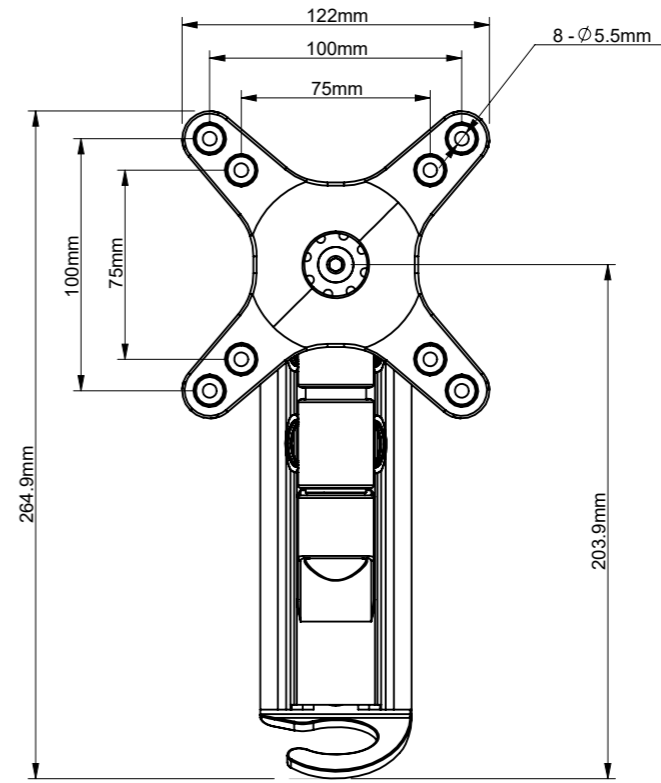
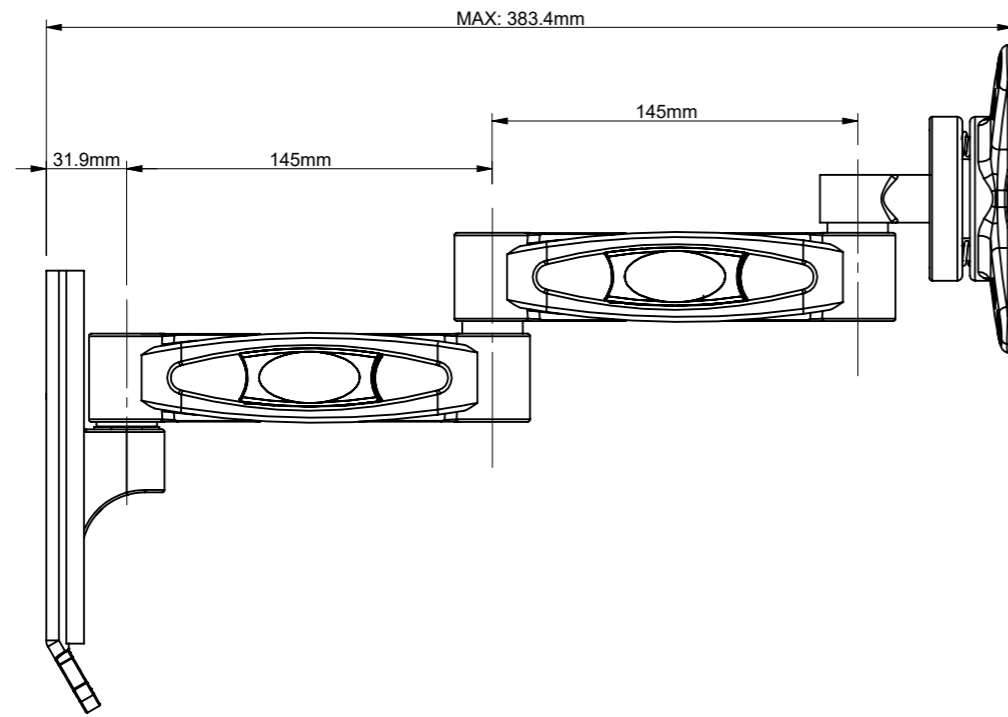



THE INFORMATION CONTAINED IN THIS DRAWING IS THE SOLE PROPERTY OF B-TECH INTERNATIONAL DESIGN AND MANUFACTURING LIMITED, ANY REPRODUCTION IN PART OR WHOLE WITHOUT THE WRITTEN PERMISSION OF B-TECH INTERNATIONAL DESIGN AND MANUFACTURING LIMITED IS PROHIBITED.



B-Tech International Design and Manufacturing Limited		B-Tech No: BTV504
Part of the B-Tech International Group of Companies		Version: V 1.2
 UNLESS OTHERWISE SPECIFIED DIMENSIONS ARE IN MILLIMETERS	Size: A3	Title: Flat Screen Wall Mount With Double Arm
	Scale: 1:3	Revision: 0.0
Sheet: 1 of 2	Date: 21/10/2015	File Name: BTD-BTV504-R0.0

THE INFORMATION CONTAINED IN THIS DRAWING IS THE SOLE PROPERTY OF B-TECH INTERNATIONAL DESIGN AND MANUFACTURING LIMITED, ANY REPRODUCTION IN PART OR WHOLE WITHOUT THE WRITTEN PERMISSION OF B-TECH INTERNATIONAL DESIGN AND MANUFACTURING LIMITED IS PROHIBITED.



B-Tech International Design and Manufacturing Limited		B-Tech No: BTV504
Part of the B-Tech International Group of Companies		Version: V 1.2
 UNLESS OTHERWISE SPECIFIED DIMENSIONS ARE IN MILLIMETERS	Size: A3	Title: Flat Screen Wall Mount With Double Arm
	Scale: 1:3	Revision: 0.0
Sheet: 2 of 2	Date: 5/27/2016	File Name: BTD-BTV504-R0.0