

BTF800

FLAT SCREEN TV STAND WITH SQUARE BASE

. Part of B-Tech's Cantabria range of premium AV furniture, the BTF800 has a modern, stylish aesthetic quality that is ideally suited to high-end residential or commercial applications. Manufactured in Europe, this flat screen TV stand is produced to a very high standard, with a sleek design that features a high gloss finish and a tempered glass shelf. The stainless steel upright includes integrated cable management and rotates up 60° while the square base benefits from concealed castors.

SPECIFICATIONS

Recommended screen size	up to 60"
Max load	30kg
Max accessory shelf load	10kg
VESA® and non-VESA fixings	up to 600 x 400mm
Swivel	60°
Dimensions	W : 500mm D : 500mm H : 975mm
Shelf dimensions	W : 450mm D : 365mm
Colour options	Black or White glass

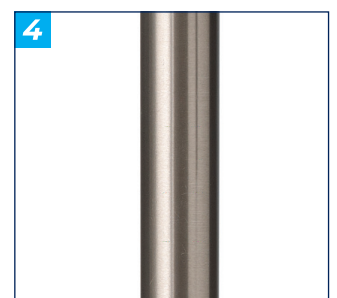
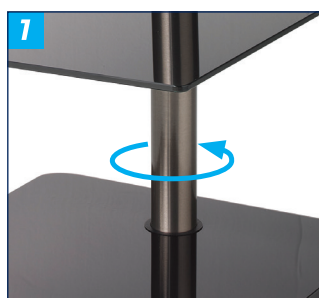
FEATURES

- 1** Swivel adjustment up to 60°
- 2** Concealed castors
- 3** Tempered glass shelves toughened to BS6206A
- 4** Stainless steel finish
- Integrated cable management
- Includes an accessory shelf

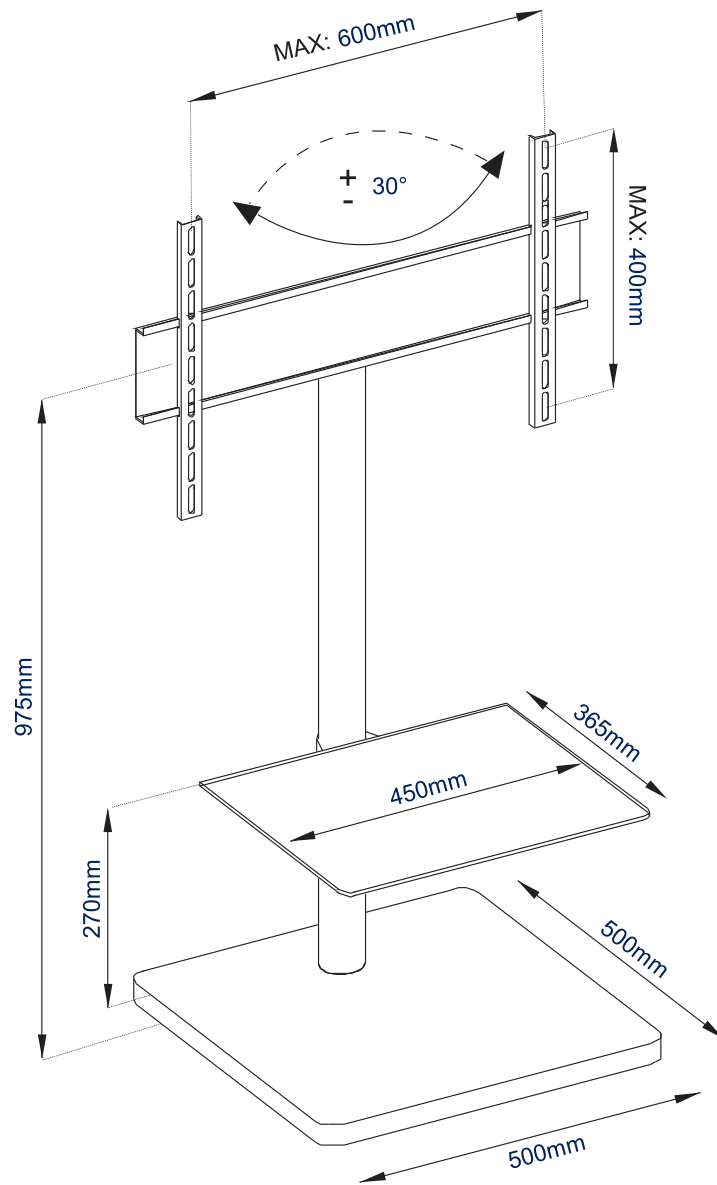


Cantabria

RECOMMENDED MAX SCREEN	MAX LOAD	MAX SHELF LOAD	MAX VESA	POST INSTALL ALIGNMENT	SWIVEL	QR CODE
60" 152cm	30kg	10kg	600 x 400	← →	↻ 60°	



BTF800



ORDERING INFORMATION

COLOUR	ORDER REF	EAN
Black	BTF800/BS	5019318651014
White	BTF800/W	5019318651168

RELATED PRODUCTS

PRODUCT CODE	NAME	DESCRIPTION
BTF807	Flat Screen TV Cabinet with Glass Top - 1637mm	Part of B-Tech's Cantabria range of premium AV furniture
BTF808	Flat Screen TV Cabinet with Glass Top - 1805mm	Part of B-Tech's Cantabria range of premium AV furniture
BTF801	Flat Screen TV Stand with Round Base	Part of B-Tech's Cantabria range of premium AV furniture
BTF810	Flat Screen Display Stand with Shelf	Part of B-Tech's Cantabria range of premium AV furniture

© 2015 B-Tech AV Mounts Corporation Ltd. All rights reserved.
 The information in this specification sheet reflects the current technical specifications at the time of printing.
 We reserve the right to change the technical or physical specifications without prior notice. The B-Tech name and the B-Tech logo are registered trademarks of B-Tech AV Mounts Corporation Ltd.
 B-Tech is not responsible for any loss or damage caused by improper installation or mounting on unstable structures. Any reproduction or use without permission or registration of any part of this specification sheet is strictly prohibited unless prior written permission is granted by B-Tech AV Mounts Corporation Ltd. BACC.

SS-V2-BTF800-100924