

BTF807

FLAT SCREEN TV CABINET WITH GLASS TOP - 1637MM

Part of B-Tech's Cantabria range of premium AV furniture, the BTF807 has a modern, stylish aesthetic quality that is ideally suited to high-end residential or commercial applications. Manufactured in Europe, this flat screen display cabinet is produced to a very high standard, with a sleek design that features a high gloss finish and a tempered glass top and shelves, which are ideal for holding home entertainment systems such as satellite boxes, games consoles or media players. Integrated cable management helps to create a neat and tidy installation.



SPECIFICATIONS

Recommended screen size	up to 75"
Max load	70kg
Max load (shelves)	10kg
Glass shelf thickness	5mm
Dimensions	W: 1637mm D: 423mm H: 450mm

FEATURES

- 1** High gloss finish and 4mm tempered glass top toughened to BS6206A standard
 - 2** 5mm thick glass storage shelves and cable management
 - 3** Storage shelves are ideal for holding AV equipment such as satellite boxes, games consoles or media players
 - 4** Ideal for extra large screens up to 75"
- High-end aesthetic quality with a premium high gloss finish
 - Concealed castors for portability and easy positioning of the product
 - Pre-assembled for user convenience

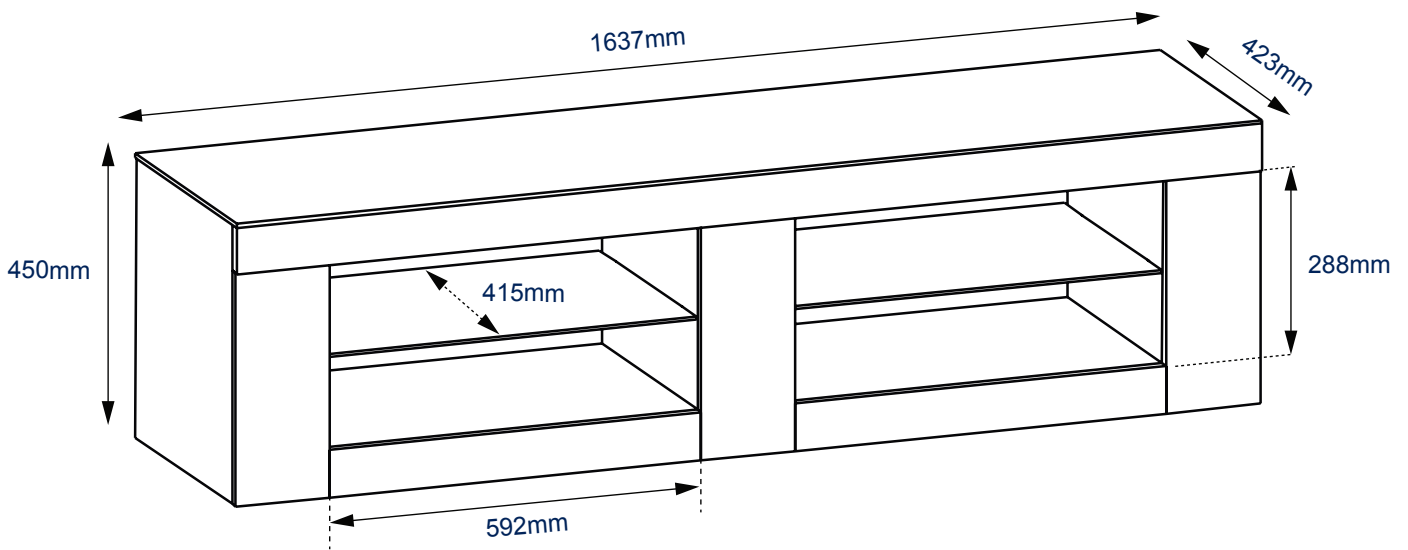


Cantabria

RECOMMENDED MAX SCREEN	MAX LOAD CABINET	MAX LOAD SHELF	
70" 190cm	70kg	10kg	



BTF807



ORDERING INFORMATION

COLOUR	ORDER REF	EAN
Black	BTF807	5019318071072

RELATED PRODUCTS

PRODUCT CODE	NAME	DESCRIPTION
BTF808	Ultra-wide TV Cabinet with Glass Top	Sleek design that features a high gloss finish and a tempered glass top
BTF800	Flat Screen TV Stand with Square Base	Sleek design that features a high gloss finish and a tempered glass shelf
BTF801	Flat Screen TV Stand with Round Base	Has a modern, stylish aesthetic quality
BTF810	Flat Screen Display Stand with Shelf	Sleek design that features a high gloss finish and a tempered glass shelf

© 2018 B-Tech AV Mounts. All rights reserved.
The information in this document is subject to change without notice. B-Tech AV Mounts is a registered trademark of B-Tech AV Mounts Co. Ltd.
B-Tech AV Mounts Co. Ltd. is not responsible for any damage caused by improper installation or use of the product. Any reproduction or use of this information without the prior written permission of B-Tech AV Mounts Co. Ltd. is prohibited.

SS-V2-BTF807-180924