

BTF808

FLAT SCREEN TV CABINET WITH GLASS TOP - 71"

Part of B-Tech's Cantabria range of premium AV furniture, the BTF808 has a modern, stylish aesthetic quality that is ideally suited to high-end residential or commercial applications. Manufactured in Europe, this flat screen display cabinet is produced to a very high standard, with a sleek design that features a high gloss finish and a tempered glass top, ideal for holding home entertainment systems such as satellite boxes, games consoles or media players. Integrated cable management helps to create a neat and tidy installation.



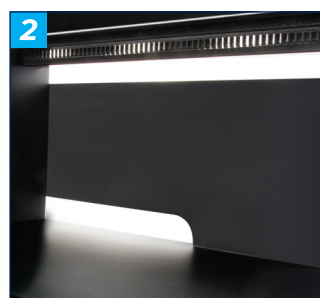
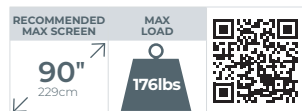
SPECIFICATIONS

Recommended screen size	up to 90"
Max load	176lbs
Dimensions	W : 71" D : 16.7" H : 16.5"

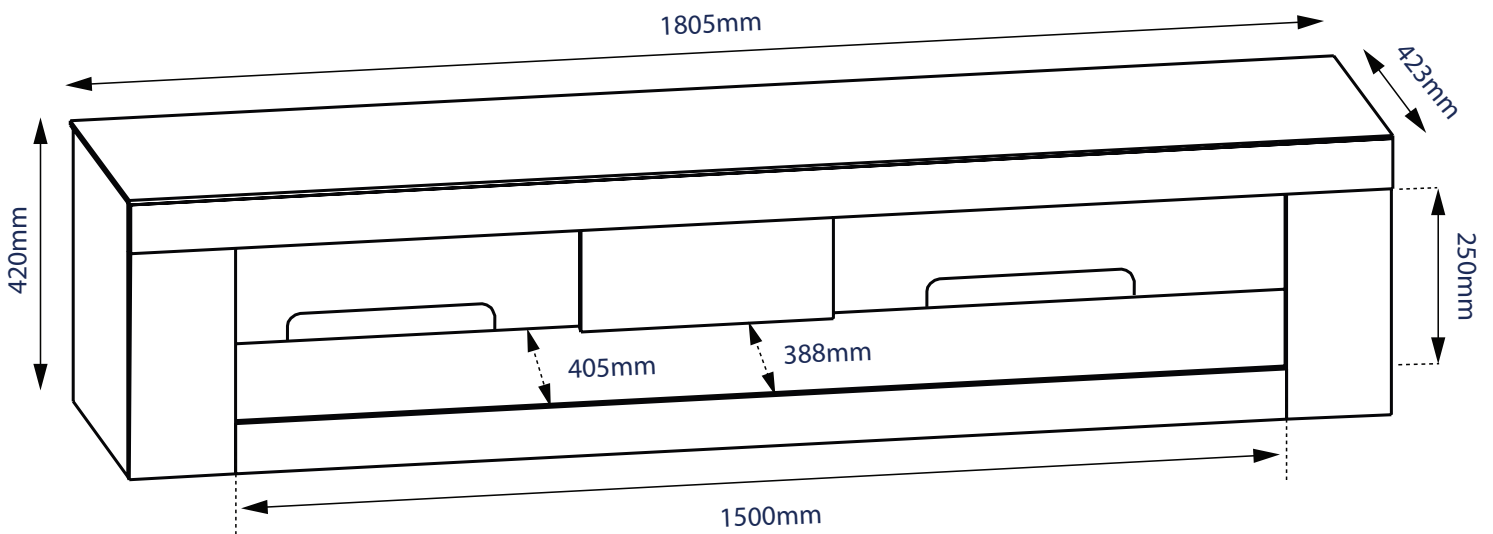
FEATURES

- 1** High gloss finish and 0.2" tempered glass top toughened to BS6206A standard
 - 2** Integrated cable management conceals cables for a neat & tidy installation
 - 3** Storage cabinet is ideal for holding AV equipment such as home entertainment systems or soundbars
 - 4** Ideal for extra large screens up to 90"
- High-end aesthetic quality with a premium high gloss finish
 - Concealed castors for portability and easy positioning of the product
 - Pre-assembled for user convenience

Cantabria



BTF808



ORDERING INFORMATION

COLOR	ORDER REF	BARCODE
Black	BTF808/B	5019318071089

RELATED PRODUCTS

PRODUCT CODE	NAME	DESCRIPTION
BTF807	Extra-large TV Cabinet with Glass Top & Shelves	Sleek design that features a high gloss finish w/ tempered glass
BTF800	Flat Screen TV Stand with Square Base	Sleek design that features a high gloss finish and a tempered glass shelf
BTF801	Flat Screen TV Stand with Round Base	Has a modern, stylish aesthetic quality
BTF810	Flat Screen Display Stand with Shelf	Sleek design that features a high gloss finish and a tempered glass shelf

© 2015 B.Tech. AV Mounts Co., Ltd. All rights reserved.
 The information this specification sheet reflects the current technical specifications at the time of printing.
 We reserve the right to change the technical or physical specifications without prior notice. The B.Tech. name and the B.Tech. logo are registered trademarks of B.Tech. AV Mounts Co., Ltd.
 B.Tech. is a registered trademark of B.Tech. AV Mounts Co., Ltd. All other trademarks are the property of their respective owners.
 B.Tech. is not responsible for any damage or loss caused by improper installation or mounting on unstable structures. Any reproduction or reuse of this specification sheet is strictly prohibited without written permission from B.Tech. AV Mounts Co., Ltd.

SS-V2-BTF808-06-0825