



**HIGH-END,
PREMIUM
QUALITY**

BTF8 10

FLAT SCREEN DISPLAY STAND WITH SHELF

Part of B-Tech's Cantabria range of premium AV furniture, the BTF800 has a modern, stylish aesthetic quality that is ideally suited to high-end residential or commercial applications. Manufactured in Europe, this flat screen TV stand is produced to a very high standard, with a sleek design that features a high gloss finish and a tempered glass shelf. The stainless steel upright includes integrated cable management and rotates a full 360° while the square base benefits from concealed castors.

SPECIFICATION

Recommended screen size	up to 60"
Max load	35kg
Max accessory shelf load	10kg
VESA® & non-VESA fixings	up to 600 x 400
Revolving base	360°
Dimensions	W: 500mm H: Min: 910mm Max: 1010mm D: 500mm
Shelf dimensions	W: 450mm D: 365mm
Colour option	Black or White

FEATURES

- High gloss and premium finish
- Easy swivel adjustment at base 360°
- Concealed castors and cable management
- Includes accessory shelf
- Tempered glass shelf toughened to BS6206A standard
- Pre-assembled
- 2 mounting height options (depending on desired height of screen)
- Additional shelf BT7166 available separately



Cantabria

60"
152cm

VESA
600
x
400

35KG

10KG

360°

↔

◐

INTERFACE SHELF



Stainless steel finish



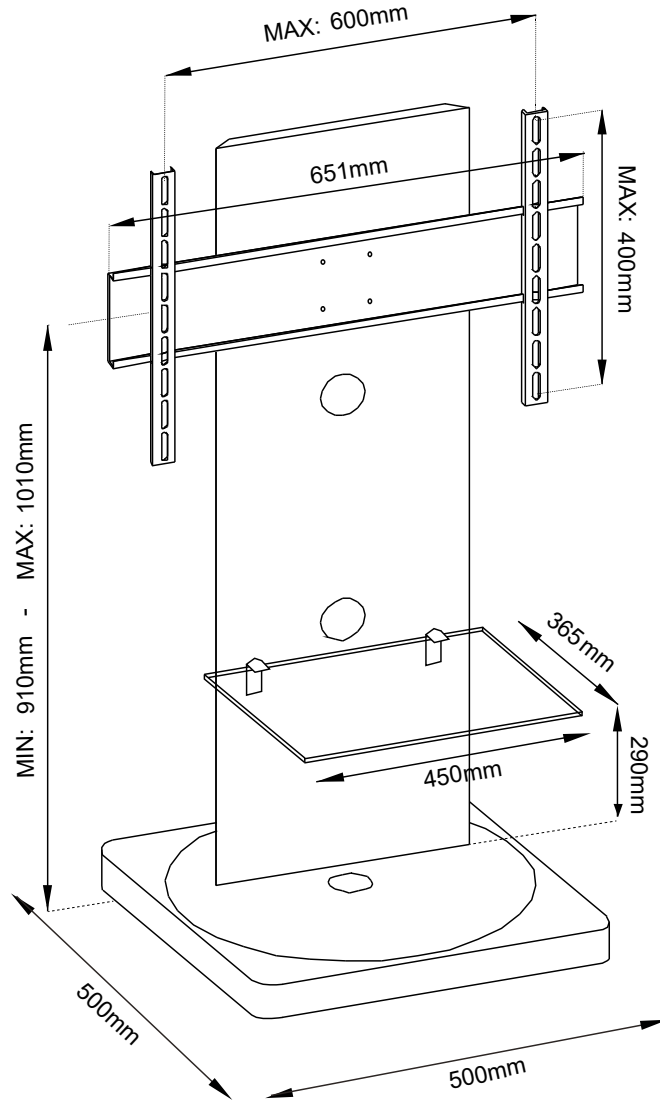
Swivel adjustment up to 60°



Concealed castors



Tempered glass shelves toughened to BS6206A standard



PACKING INFORMATION

COLOUR:	ORDER REF:	EAN CODE:	MASTER CARTON QTY:	INNER CARTON QTY:	MASTER CARTON WEIGHT:	MASTER CARTON CUBE:
Black	BTF800/BS	5019318651014	1	0	20.32kg	0.091cbm

SIMILAR PRODUCTS TO THE BTF810



BT7166 Accessory Shelf

BTF808 Flat Screen TV Cabinet with Glass Top - 1805mm

BTF801 Flat Screen TV Stand with Round Base

BTF800 Flat Screen Display Stand with Shelf and Square Base

© 2016 B-Tech Professional Limited. All rights reserved. This information is specific and not applicable to current technical specifications at the time of print. We warrant the right to change the technical or physical specifications without prior notice. B-Tech Professional and B-Tech are registered trademarks of B-Tech International Ltd. B-Tech accepts no liability for loss or damage caused by improper or negligent installation or use of the product. Any reproduction or transmission or replication of any part of this specification is strictly prohibited unless prior written permission has been granted by B-Tech International Ltd. (BTL).

SS-BTF810-V1-020119