

# BTF841

## SYSTEM X™ DUAL STACK FLAT SCREEN FLOOR STAND 1.8M

The **BTF841** is a premium mounting solution designed to mount two screens, one above the other, in either landscape or portrait orientation. A heavy duty steel base eliminates the need to bolt to the floor and adjustable levelling feet are included to accommodate uneven surfaces. The high-end aesthetic with an anodised aluminum finish and integrated cable management ensures finished installations are neat and tidy, making the BTF841 ideal for use in professional or commercial applications.

### SPECIFICATIONS

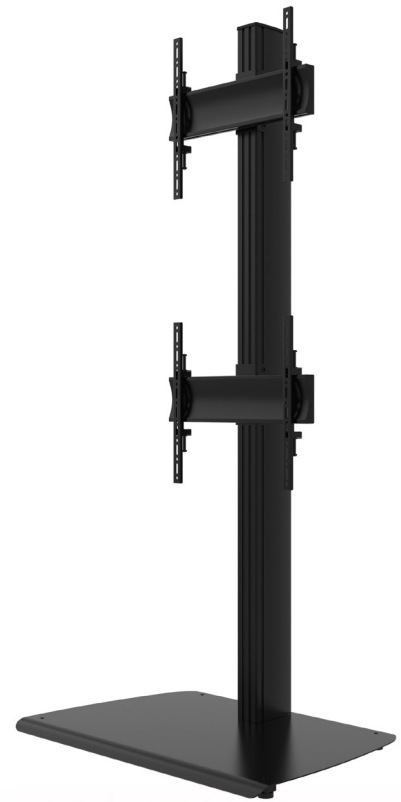
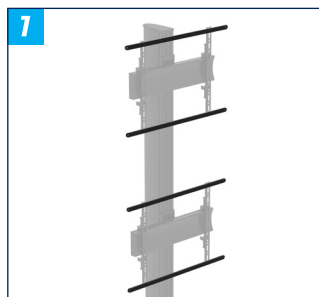
Recommended screen size (landscape)	<b>32" - 65"</b>
Recommended screen size (portrait)	<b>32" - 46"</b>
Max load (per screen)	<b>77lbs</b>
VESA® & non-VESA fixings (standard)	up to <b>472 x 400*</b>
VESA® & non-VESA fixings (with adaptors)	up to <b>600 x 400*</b>
Dimensions	W : <b>35"</b> x D : <b>23.8"</b> x H : <b>72.5"</b>
Color options (column)	<b>Black or Silver</b>

### FEATURES

- 1 Maximum VESA fixing can be increased to 23.6" using the adaptor arms
  - 2 Supplied with adjustable levelling feet to accommodate uneven floor surfaces
  - 3 Collar compatible accessories such as shelves (available separately) can be fitted directly to the column
  - 4 Integrated cable management for a neat and tidy installation
- Suitable for landscape or portrait mounting
  - Heavy duty steel base construction provides stability
  - Can also be bolted to the floor to prevent unauthorized removal of the display
  - Arms feature levelling screws to adjust the screen height
  - Safety screws help prevent unauthorized screen removal
  - Simple 'hook-on' screen installation

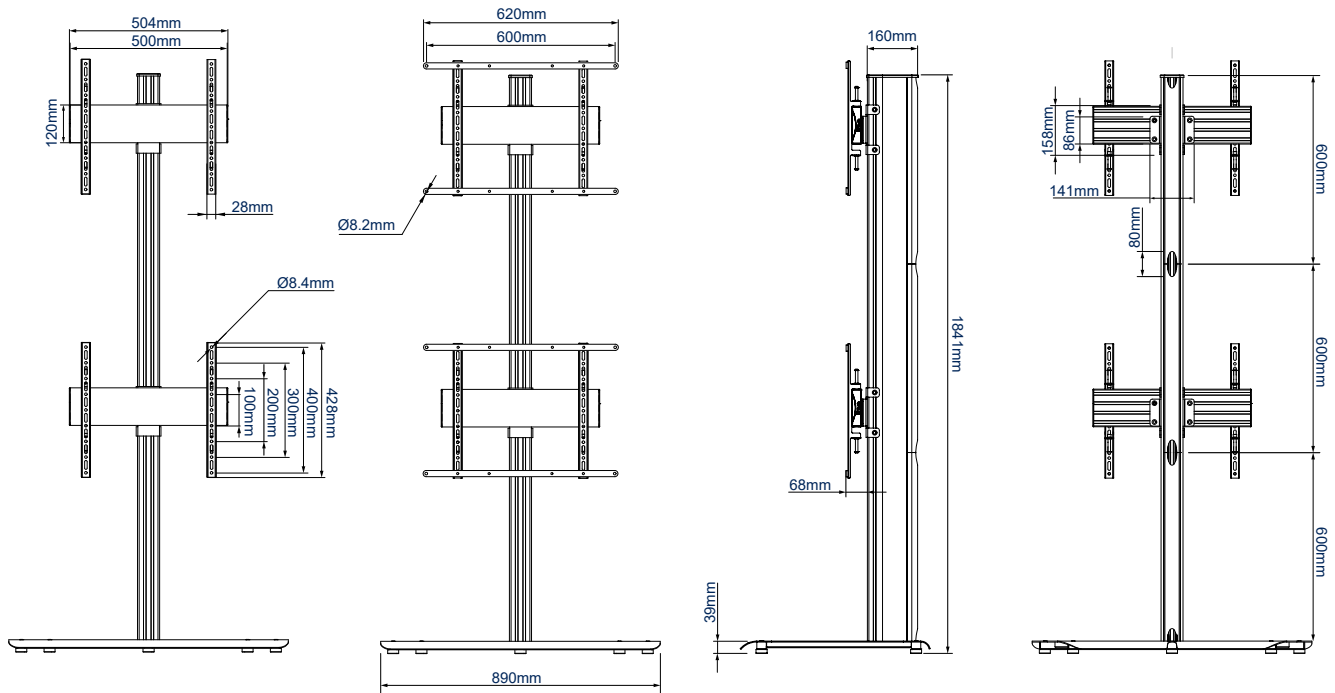
## SYSTEM X

RECOMMENDED LANDSCAPE MAX SCREEN	RECOMMENDED PORTRAIT MAX SCREEN	MAX LOAD	MAX VESA	POST INSTALL ALIGNMENT	COLOUR OPTIONS	QR CODE
65" 165cm	46" 116cm	77lbs	600 x 400	← →	● ○	



\* As standard the maximum fixing dimension is 400. Increase the horizontal fixing to 600 using the included interface adaptor arms.

# BTF841

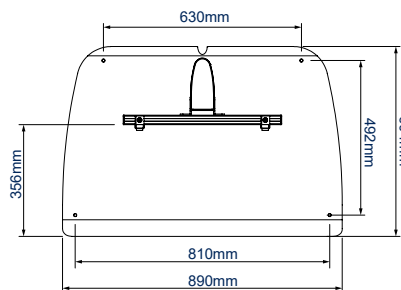


FRONT VIEW

FRONT VIEW WITH ADAPTOR ARMS

SIDE VIEW WITH ADAPTOR ARMS

REAR VIEW



TOP VIEW

## ORDERING INFORMATION

COLOR	ORDER REF	BARCODE
Black	BTF841/BB	5019318087561
Silver	BTF841/BS	5019318087578

## RELATED PRODUCTS

PRODUCT CODE	NAME	DESCRIPTION
BT7032	Large AV Accessory Shelf	Designed to add AV accessories to an installation / wall
BT8390-VESA400T	VESA 400 Interface Arms	Designed to mount medium / large sized screens in a tilted position
BTF842	System X Dual Stack Floor Stand	Designed to portrait mount two screens, one above the other
BTF843	System X Portrait Floor Stand	Designed to mount a single large screen in portrait style

© 2018 B.Tech. AV Mounts Corporation Ltd. All rights reserved.  
 The information in this specification sheet reflects the current technical specifications at the time of printing.  
 We reserve the right to change the technical or physical specifications without prior notice. The B.Tech. name and the B.Tech. logo are registered trademarks of B.Tech. AV Mounts Corporation Ltd.  
 B.Tech. is not responsible for any damage or loss of data caused by improper installation or mounting on unstable structures. Any reproduction or use without the permission of B.Tech. AV Mounts Corporation Ltd. is prohibited.  
 Specification sheet is strictly for reference. All other information is subject to change without prior notice. B.Tech. AV Mounts Corporation Ltd. is not responsible for any damage or loss of data caused by improper installation or mounting on unstable structures.