

BTF845

UNIVERSAL TWIN SCREEN VC STAND

The BTF845 is a premium mounting solution designed to mount two screens side by side for video conferencing applications. A heavy duty steel base eliminates the need to bolt to the floor and adjustable leveling feet are included to accommodate uneven surfaces. The high-end aesthetic with an anodised aluminum finish and integrated cable management ensures finished installations are neat and tidy, making the BTF845 ideal for use in corporate environments.

SPECIFICATIONS

Recommended screen size	1194mm - 1397mm
Max screen width	1316mm per screen
Max load	25kg per screen
VESA® and non-VESA fixings	up to 600 x 400
Dimensions	W : 1752.6mm H : 1841.5"mm D : 602mm
Colour (column)	Black or Silver

FEATURES

- 1 VESA fixing can be increased to 600 using the included adaptor arms
 - 2 Supplied with adjustable levelling feet to accommodate uneven floor surfaces
 - 3 Includes VC shelf which can be fixed above or below the screens (VC camera sold separately)
 - 4 Integrated cable management for a neat and tidy installation
- Design suitable for mounting two screens side by side
 - High-end aesthetic quality
 - Heavy duty steel base construction provides stability, eliminating the need to bolt to the floor
 - Can also be bolted to the floor to prevent unauthorised removal of the display
 - Arms feature leveling screws to adjust the screen height
 - Safety screws help prevent unauthorised screen removal
 - Simple 'hook-on' screen installation

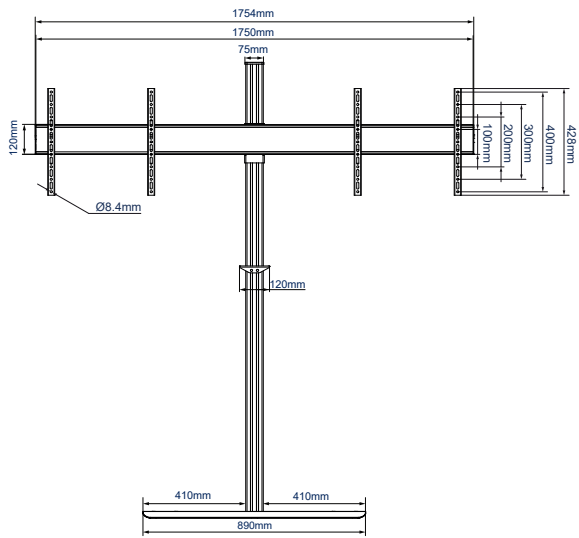


SYSTEM X

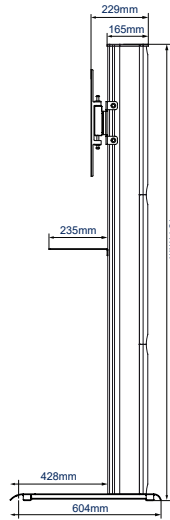
RECOMMENDED MAX SCREEN	MAX LOAD	MAX VESA	POST INSTALL ALIGNMENT	QR CODE
55" 140cm	25kg	600 x 400	← →	



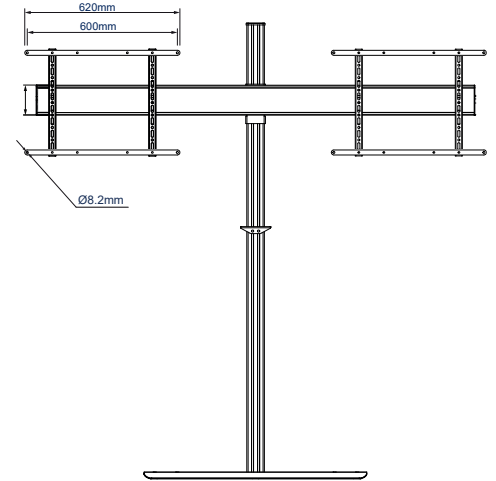
BTF845



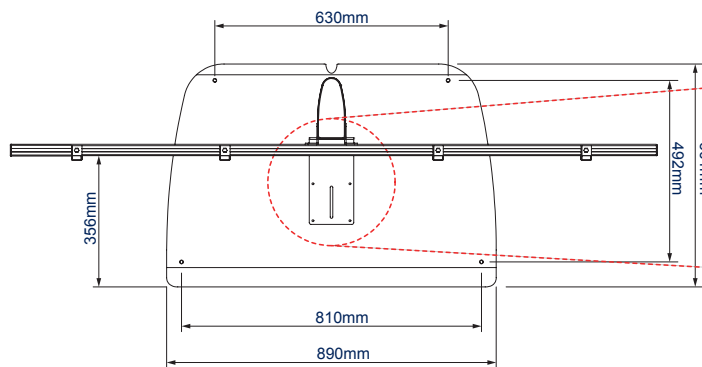
FRONT VIEW



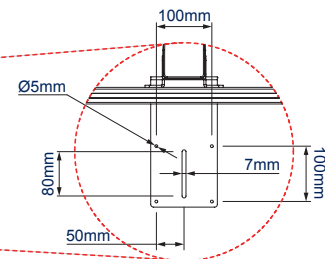
SIDE VIEW



FRONT VIEW WITH ADAPTER ARMS



TOP VIEW



VIDEO CONFERENCE CAMERA SHELF CLOSE UP

ORDERING INFORMATION

COLOUR	ORDER REF	BARCODE
Black	BTF845/BB	5019318087646
Silver & Black	BTF845/BS	5019318087653

RELATED PRODUCTS

PRODUCT CODE	NAME	DESCRIPTION
BT7032	Large AV Accessory Shelf	Ideal for adding AV accessories to an installation or a wall
BT8390-VESA400T	VESA 400 Interface Arms	Designed to mount medium / large sized screens in a tilted position
BTF841	System X Dual Stack Floor Stand - 1.8m	Designed to mount two screens, one above the other, in portrait / landscape
BTF844	System X Twin Screen VC Stand	Designed to mount two screens side by side in a landscape orientation

© 2025 B-Tech AV Mounts. All rights reserved. The information in this document is subject to change without notice. B-Tech AV Mounts is a registered trademark of B-Tech AV Mounts Co. Ltd. B-Tech AV Mounts Co. Ltd. is not responsible for any damage caused by improper installation or modification of any part of this specification. B-Tech AV Mounts Co. Ltd. is not responsible for any damage caused by improper installation or modification of any part of this specification. B-Tech AV Mounts Co. Ltd. is not responsible for any damage caused by improper installation or modification of any part of this specification.