

BTF845

UNIVERSAL TWIN SCREEN VC STAND

The BTF845 is a premium mounting solution designed to mount two screens side by side for video conferencing applications. A heavy duty steel base eliminates the need to bolt to the floor and adjustable levelling feet are included to accommodate uneven surfaces. The high-end aesthetic with an anodized aluminum finish and integrated cable management ensures finished installations are neat and tidy, making the BTF845 ideal for use in corporate environments.

SPECIFICATIONS

Recommended screen size	47" - 55"
Max screen width	51.8" per screen
Max load	55lbs per screen
VESA® and non-VESA fixings	up to 600 x 400
Dimensions	W : 69" H : 72.5" D : 23.7"
Color (column)	Black

FEATURES

- 1** VESA fixing can be increased to 600 using the included adaptor arms
 - 2** Supplied with adjustable levelling feet to accommodate uneven floor surfaces
 - 3** Includes VC shelf which can be fixed above or below the screens (VC camera sold separately)
 - 4** Integrated cable management for a neat and tidy installation
- Design suitable for mounting two screens side by side
 - High-end aesthetic quality
 - Heavy duty steel base construction provides stability, eliminating the need to bolt to the floor
 - Can also be bolted to the floor to prevent unauthorized removal of the display
 - Arms feature levelling screws to adjust the screen height
 - Safety screws help prevent unauthorized screen removal
 - Simple 'hook-on' screen installation

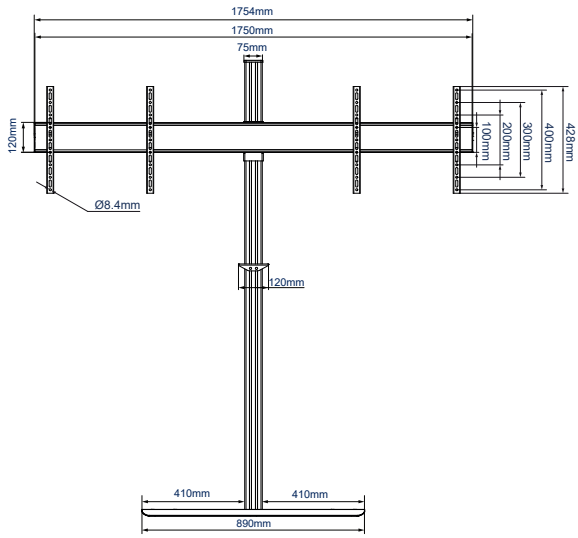


SYSTEM X

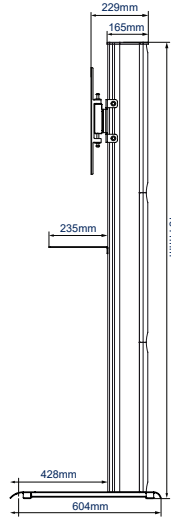
RECOMMENDED MAX SCREEN	MAX LOAD	MAX VESA	POST INSTALL ALIGNMENT	QR CODE
55" 140cm	55lbs	600 x 400	← →	



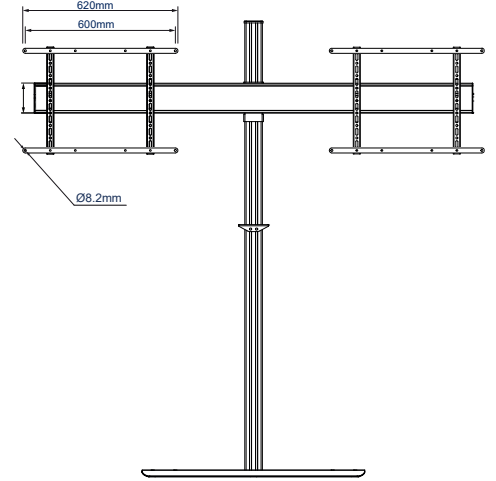
BTF845



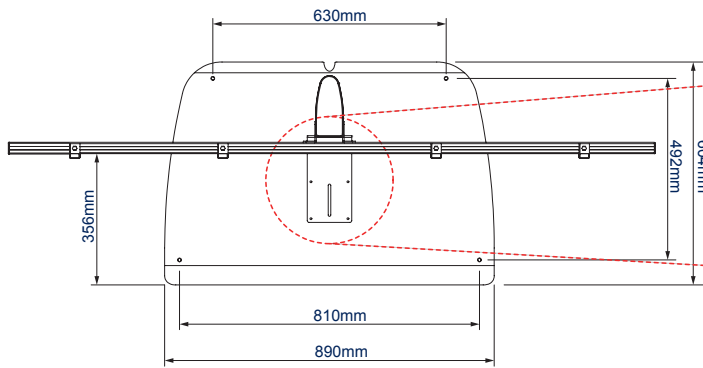
FRONT VIEW



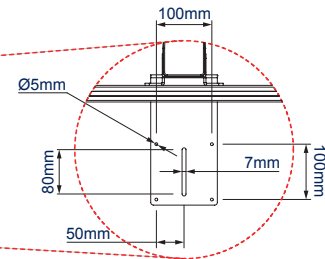
SIDE VIEW



FRONT VIEW WITH ADAPTER ARMS



TOP VIEW



VIDEO CONFERENCE CAMERA SHELF CLOSE UP

ORDERING INFORMATION

COLOR	ORDER REF	BARCODE
Black	BTF845/BB	5019318087646

RELATED PRODUCTS

PRODUCT CODE	NAME	DESCRIPTION
BT7032	Large AV Accessory Shelf	Ideal for adding AV accessories to an installation or a wall
BT8390-VESA400T	VESA 400 Interface Arms	Designed to mount medium / large sized screens in a tilted position
BTF841	System X Dual Stack Floor Stand - 1.8m	Designed to mount two screens, one above the other, in portrait / landscape
BTF844	System X Twin Screen VC Stand	Designed to mount two screens side by side in a landscape orientation

© 2022 B-Tech AV Mounts. All rights reserved. The information in this specification sheet reflects the current technical specifications at the time of printing. We reserve the right to change the technical or physical specifications without prior notice. The B-Tech name and the B-Tech logo are registered trademarks of B-Tech AV Mounts Co. Ltd. B-Tech is not responsible for loss or damage caused by improper installation or mounting on unstable structures. Any reproduction or reuse of information or images without the prior written permission of B-Tech AV Mounts Co. Ltd. is prohibited.

SS-V2-BTF845-070825