

BTV112

FLAT SCREEN WALL MOUNT WITH TILT & SWIVEL

Designed to mount small sized screens, this wall mount features swivel, tilt and full screen rotation which allows for quick and easy repositioning of the screen as required. Integrated cable management and spirit level help make this a neat and tidy mounting solution which is ideal for home installations as well as commercial applications.

SPECIFICATIONS

Recommended screen size	up to 28"
Max load	15kg
VESA® compatibility	75 x 75 & 100 x 100
Tilt	+/-15°
Swivel	180°
Screen rotation	360°
Distance from wall	95mm

FEATURES

- 1 Screen mounting up to VESA 100 x 100mm
- 2 Integrated cable management and spirit level included
- 3 Features swivel and up/down tilt
- 4 Interface allows screen rotation of 360°
 - Screen rotation allows screen to be positioned in landscape and portrait
 - Simple 'hook-on' installation with all mounting hardware included

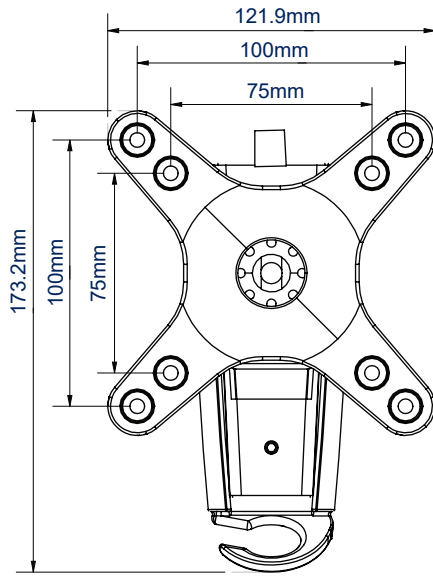


Ventry
range

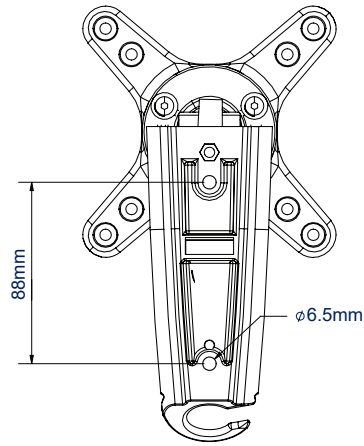
RECOMMENDED MAX SCREEN	MAX SCREEN WEIGHT	MAX VESA	TILT	SWIVEL	ROTATION	QR CODE
28" 71cm	15kg	100	15° 15°	180°	360°	



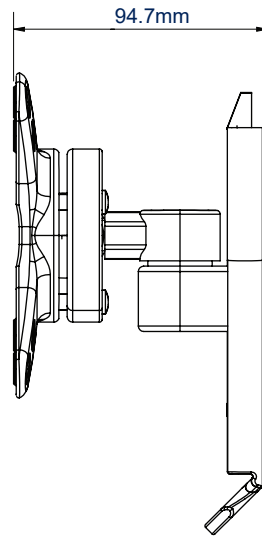
BTV112



FRONT VIEW



REAR VIEW



SIDE VIEW EXTENSION

ORDERING INFORMATION

COLOUR	ORDER REF	EAN
Black	BTV112/B	50193184440571

RELATED PRODUCTS

PRODUCT CODE	NAME	DESCRIPTION
BTV920	AV Component Shelf	Adjustable shelf designed for all common AV equipment
BTV113	Single Arm Wall Mount with Tilt & Swivel	Designed for screens up to 23"
BTV502	Flat Screen Wall Mount with Tilt & Swivel	Designed for screens up to 42"
BT7518	Flat Screen Wall Mount with Tilt & Swivel	Designed for screens up to 23"

© 2016 B-Tech AV Mounts Corporation Ltd. All rights reserved.
The information this specification sheet reflects the current technical specifications at the time of printing.
We reserve the right to change the technical or physical specifications without prior notice. These specifications are provided for informational purposes only and do not constitute a contract. B-Tech AV Mounts Corporation Ltd. is not responsible for any loss or damage caused by improper installation or mounting on unsuitable structures. Any reproduction or use without the express written permission of B-Tech AV Mounts Corporation Ltd. is prohibited.
Specification sheet is strictly for reference and does not constitute a contract.

SS-V2-BTV112-040924